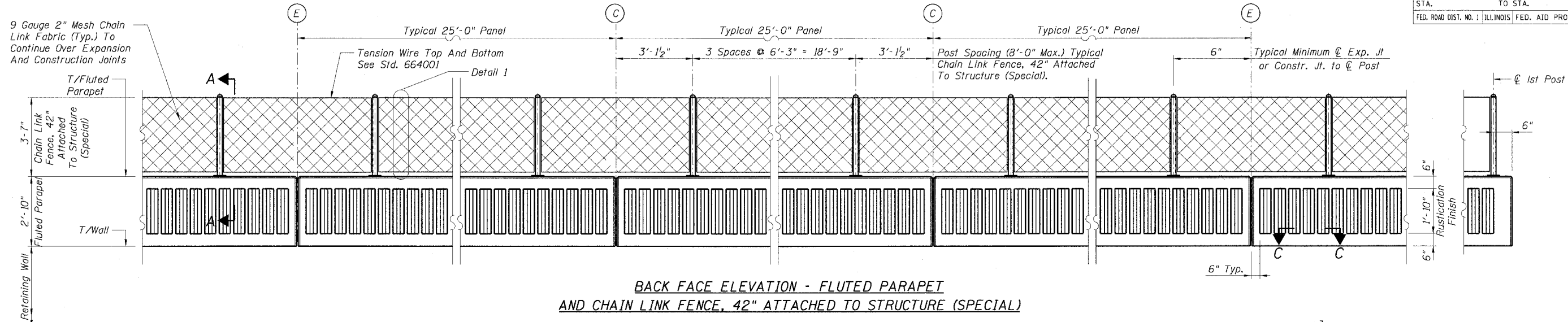
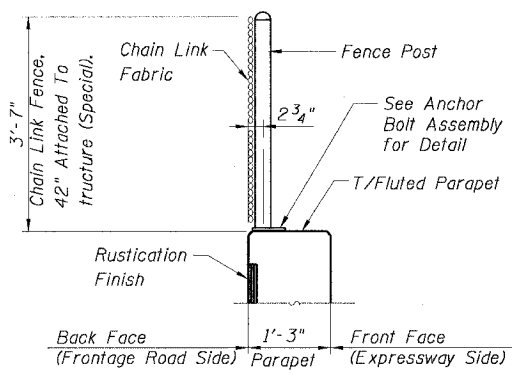


STATE OF ILLINOIS  
DEPARTMENT OF TRANSPORTATION

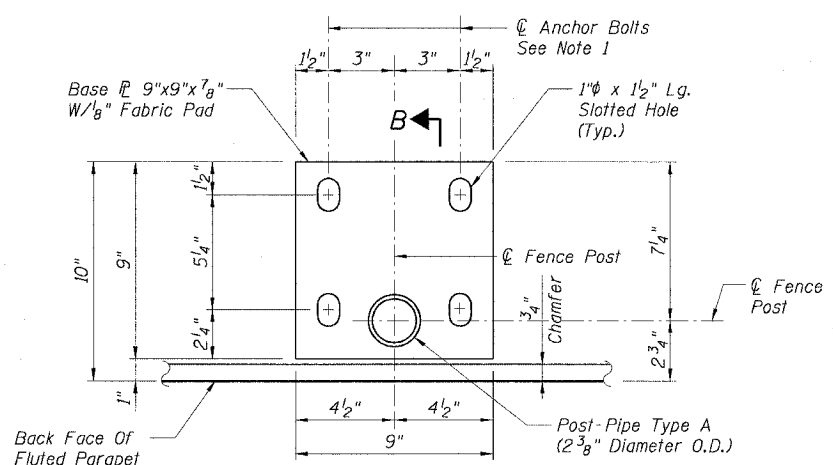
F.A.I. RTE.	SECTION	COUNTY	TOTAL SHEETS	SHEET NO.
90/94	2021-922PT.1-AC	COOK	460	346
STA.	TO STA.			
FED. ROAD DIST. NO. 1	ILLINOIS	FED. AID PROJECT	62693	



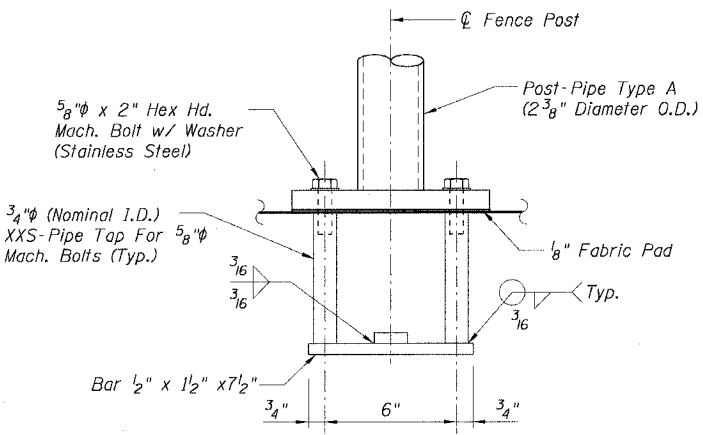
BACK FACE ELEVATION - FLUTED PARAPET AND CHAIN LINK FENCE, 42" ATTACHED TO STRUCTURE (SPECIAL)



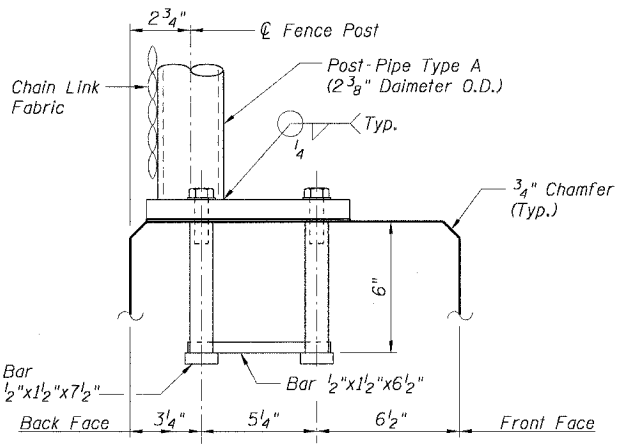
SECTION A-A



PLAN

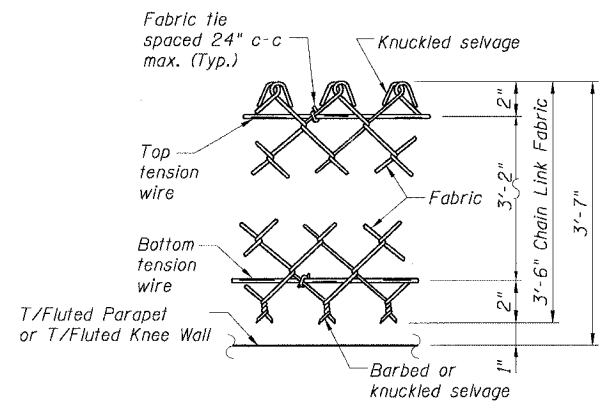


ELEVATION

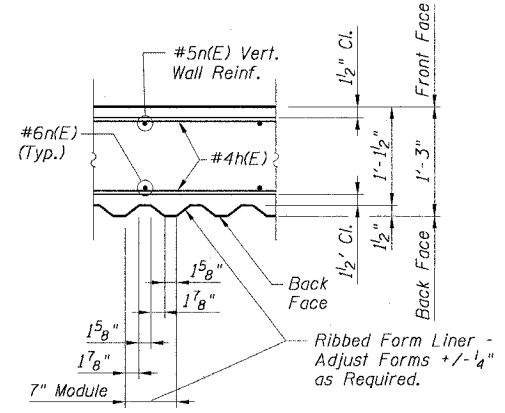


SECTION B-B

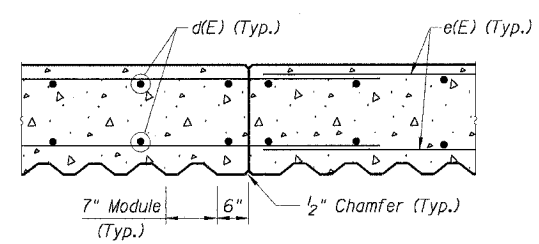
ANCHOR BOLT ASSEMBLY DETAILS



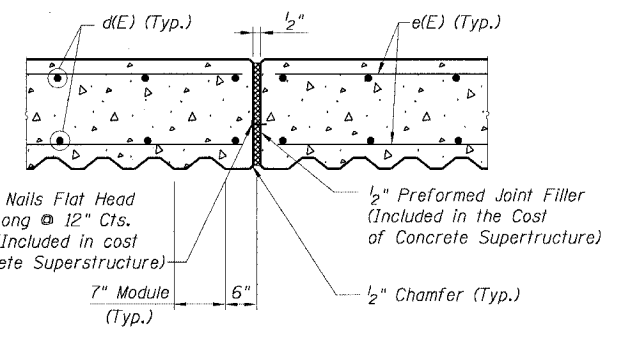
DETAIL 1



SECTION C-C



CONSTRUCTION JOINT DETAIL



EXPANSION JOINT DETAIL

NOTES:

- Anchor Bolts: In lieu of the Cast in Place Anchor Bolt Assembly Shown, the Contractor Has the Option of Drilling and Grouting 5/8" Diameter Galvanized Anchor Rods with Hex Nuts and 1/4" Diameter Washers. Embedment shall be according to Adhesive Anchor Manufacturers Specifications. Weld Nuts to Anchor Bolt After Installation. Cost of Chain Link Fence, 42" Attached To Structure (Special).
- For Additional Chain Link Fence Details See Std. 664001.

LEGEND:

- (C) Construction Joint
- (E) Expansion Joint
- [Cross-hatched] Chain Link Fabric
- [Vertical lines] Rustication Finish

REVISIONS	
NAME	DATE

SHEET SD1 of 8  
ILLINOIS DEPARTMENT OF TRANSPORTATION  
F.A.I. 90/94 (DAN RYAN EXPRESSWAY)  
ELEVATIONS AND DETAILS  
CHAIN LINK FENCE, 42"  
ATTACHED TO STRUCTURE (SPECIAL)  
WEST 69TH STREET TO WEST 47TH STREET  
COOK COUNTY  
SCALE: None  
DATE: October 29, 2004  
DRAWN BY: RSB  
CHECKED BY: RS

10/21/2004 02:46:20 PM