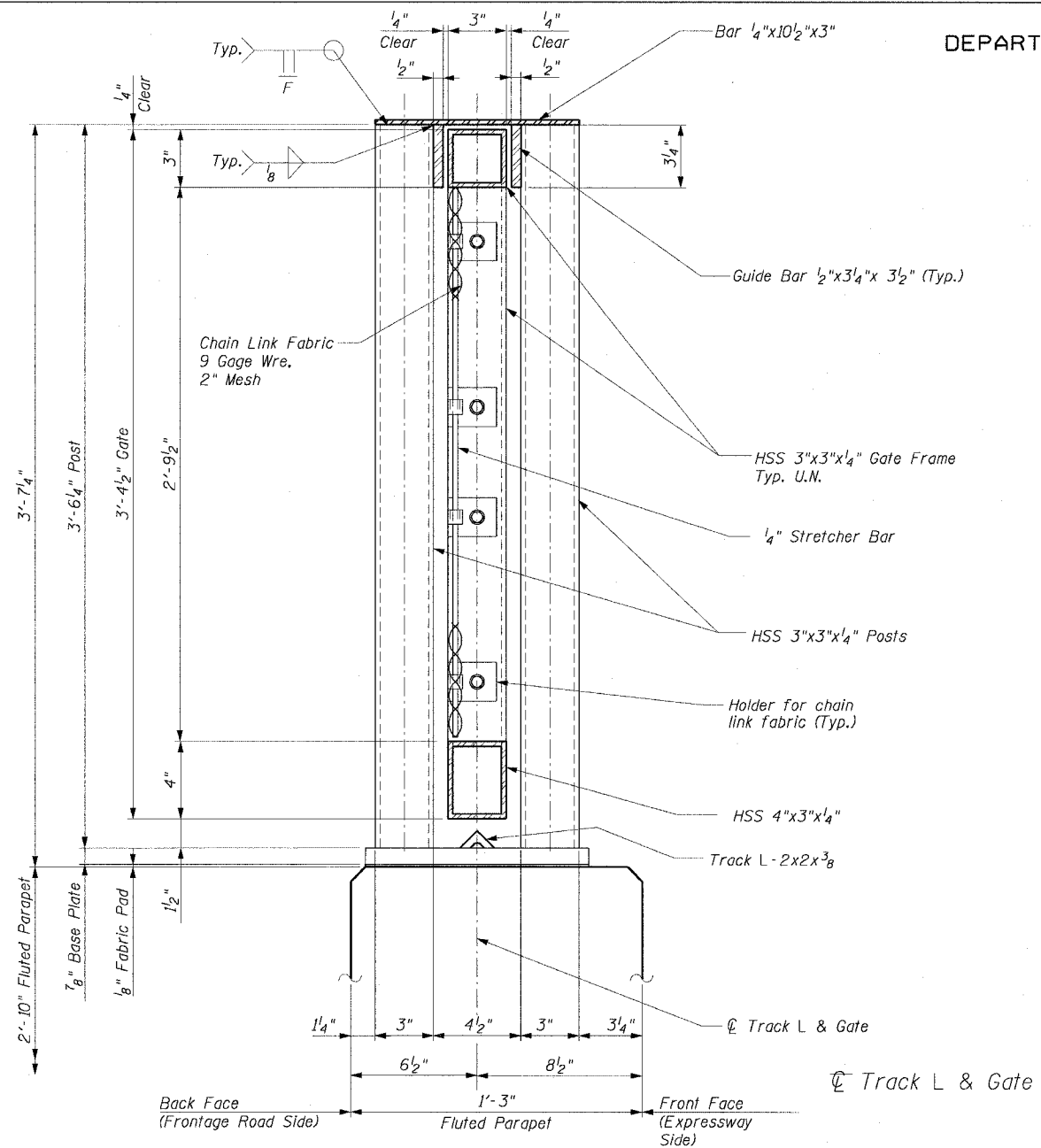


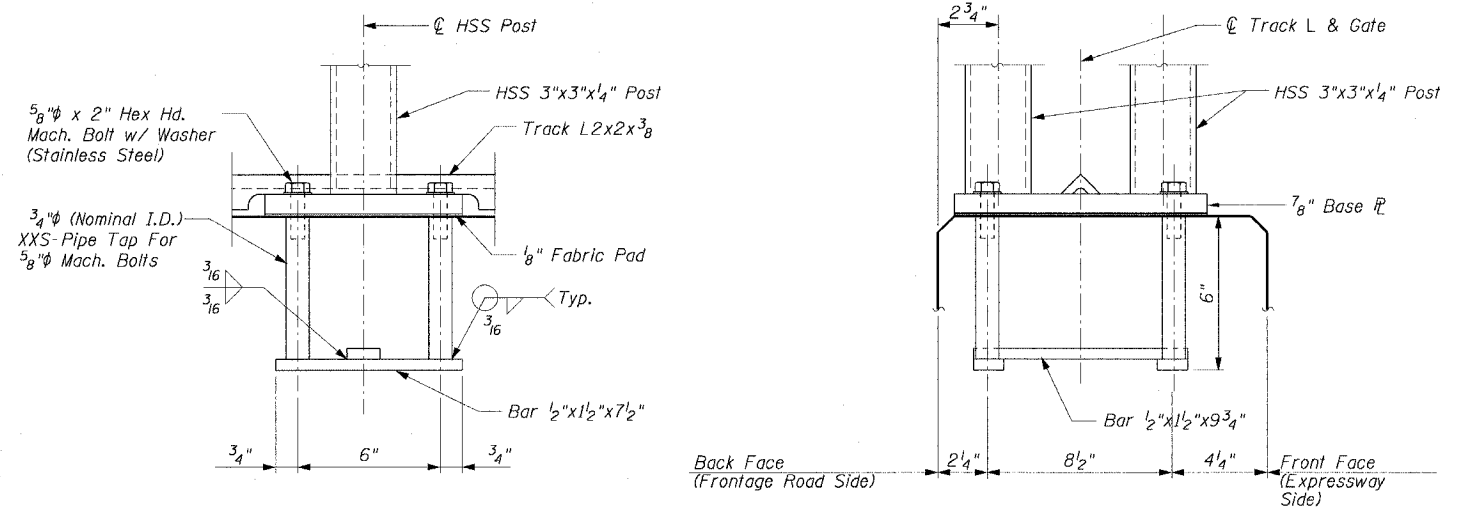
STATE OF ILLINOIS  
DEPARTMENT OF TRANSPORTATION

F.A.I. SECTION	COUNTY	TOTAL SHEETS	SHEET NO.
90/94 2021-922PT.1-AC	COOK	460	349
STA.	TO STA.		
FED. ROAD DIST. NO. 1	ILLINOIS FED. AID PROJECT		

62693

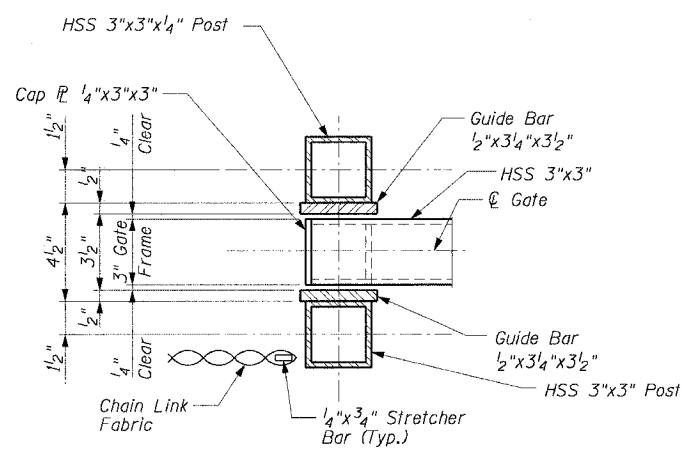


SECTION A-A

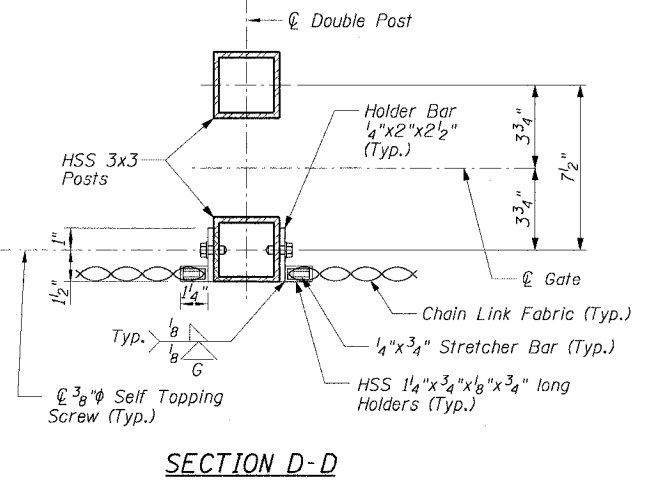


ANCHOR BOLT DETAILS

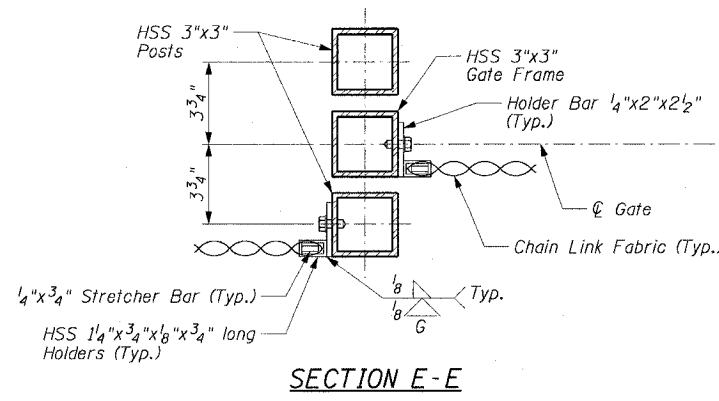
In lieu of the cast-in-place anchor device shown, the Contractor has the option of drilling and epoxy grouting galvanized 5/8" anchor rods, nut and washers. Embedment shall be according to the manufacturer's specifications.



SECTION B-B



SECTION D-D



SECTION E-E

NOTES:

1. For Notes see Sheet SD3.
2. For Anchor Bolt Locations see Details 1, 2 and 3 on Sheet SD3.
3. For Locations of Sections A-A, D-D & E-E see Sht. SD-2.
4. HSS denotes Hollow Structural Section.

SHEET SD4 of 8

REVISIONS	
NAME	DATE

ILLINOIS DEPARTMENT OF TRANSPORTATION  
F.A.I. 90/94 (DAN RYAN EXPRESSWAY)  
TYPICAL SECTIONS AND DETAILS  
CHAIN LINK FENCE, 42" GATE (SPECIAL)  
WEST 69TH STREET TO WEST 47TH STREET  
COOK COUNTY

SCALE: None  
DATE: October 29, 2004  
DRAWN BY: FJD  
CHECKED BY: RS