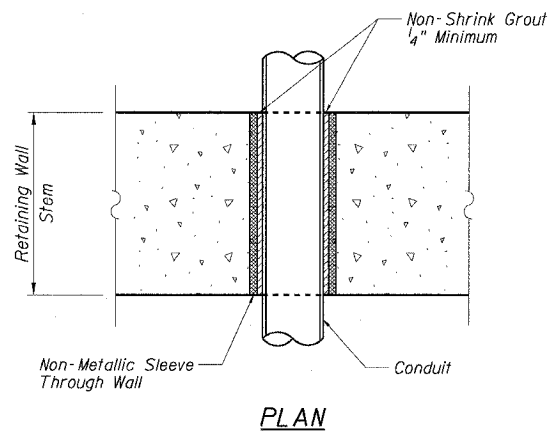
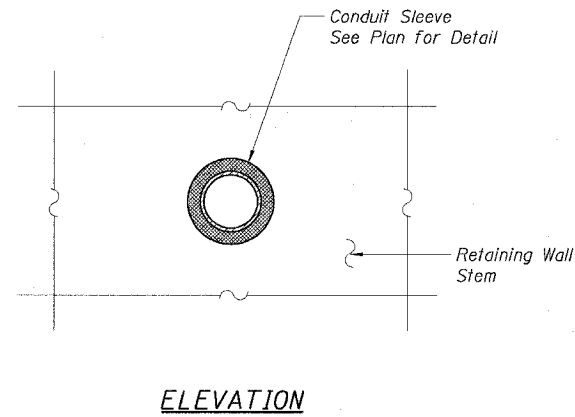


STATE OF ILLINOIS  
DEPARTMENT OF TRANSPORTATION

F.A.I. RTE.	SECTION	COUNTY	TOTAL SHEETS	SHEET NO.
90/94	2021-922PT.1-AC	COOK	460	352
STA.	TO STA.			
FED. ROAD DIST. NO. 1	ILLINOIS	FED. AID PROJECT		

62693

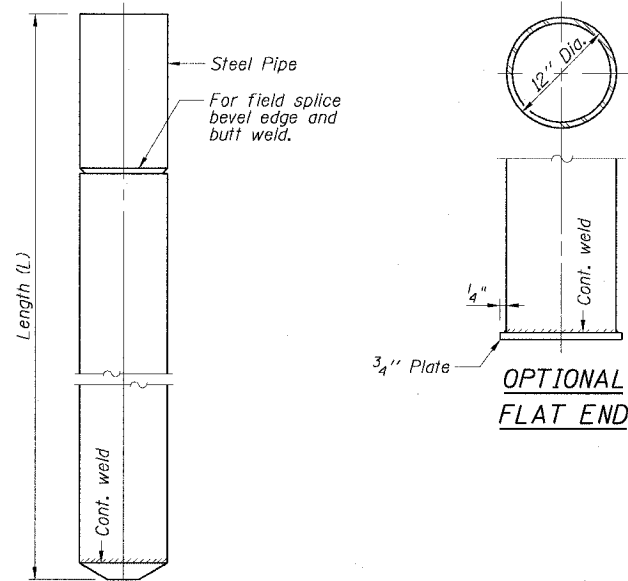


**NOTES:**

1. The location of conduit sleeves may be adjusted in the field to miss or fall between vertical reinforcement in the retaining wall. One (1) horizontal reinforcing bar in each face may be cut if necessary.
2. Furnishing and installing non-metallic sleeve and non-shrink grout is included in the cost of Concrete Structures.

**PENETRATION DETAILS**

Pipe Underdrains For Structures, 6"



**DETAIL OF CYLINDRICAL STEEL SHELL FOR CAST IN PLACE CONCRETE PILES**

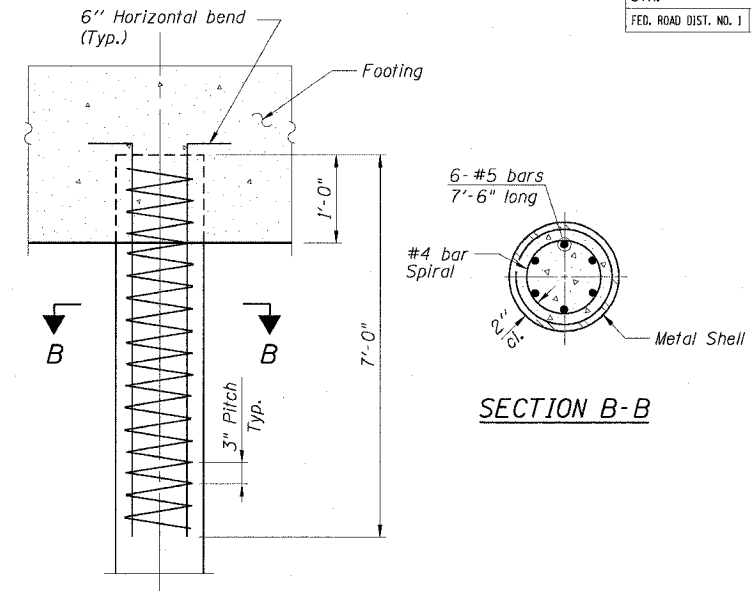
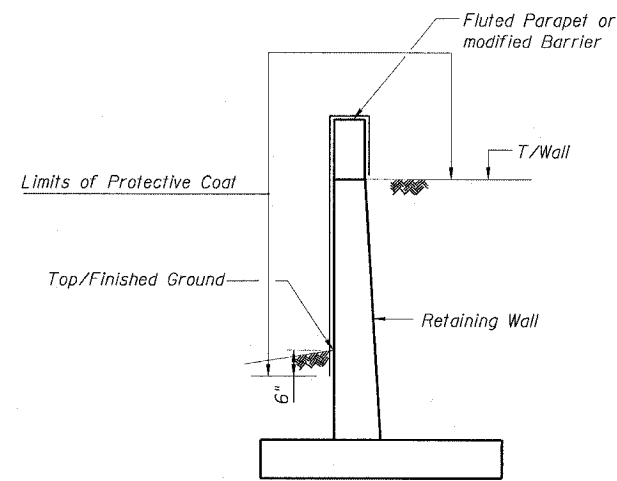
**NOTES:**

Driving and bearing ends of pipe shall be cut square.

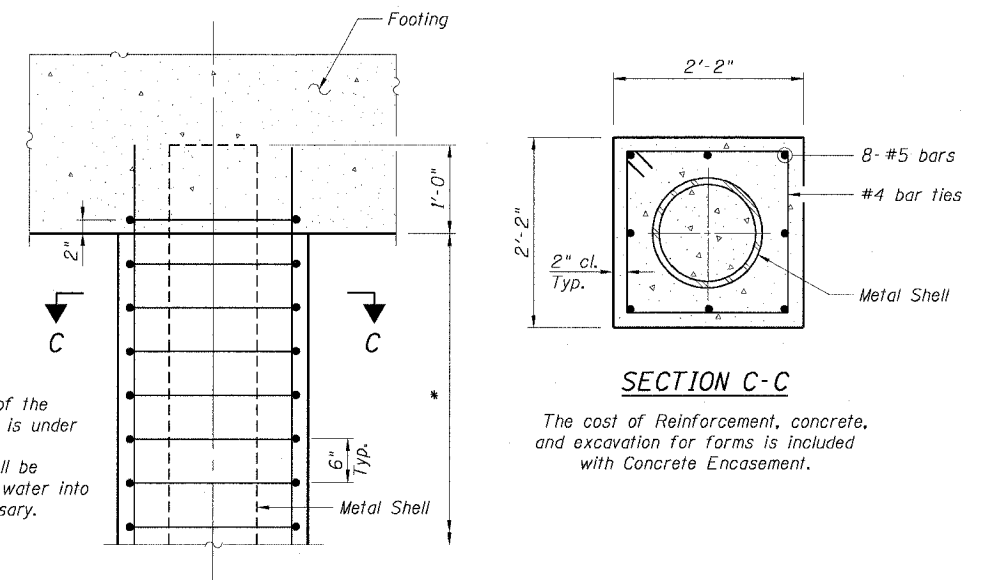
The thickness of the shell shall be 0.250 inches or 0.313 inches with a tolerance of 5%.

See individual retaining wall plans, elevations and sections for locations of metal pile shell thicknesses used.

The shell shall be according to Article 1006.05(a) of the Standard Specifications.



**DETAIL OF REINFORCEMENT FOR METAL SHELLS**



**DETAIL OF PROTECTION FOR METAL SHELLS**

**SECTION C-C**

The cost of Reinforcement, concrete, and excavation for forms is included with Concrete Encasement.

SHEET SD7 of 8

REVISIONS	DATE
NAME	

ILLINOIS DEPARTMENT OF TRANSPORTATION  
F.A.I. 90/94 (DAN RYAN EXPRESSWAY)  
**TYPICAL SECTIONS, ELEVATIONS AND DETAILS  
METAL PILE DETAILS  
WEST 69TH STREET TO WEST 47TH STREET  
COOK COUNTY**  
SCALE: None  
DATE: October 29, 2004  
DRAWN BY: RSB  
CHECKED BY: RS