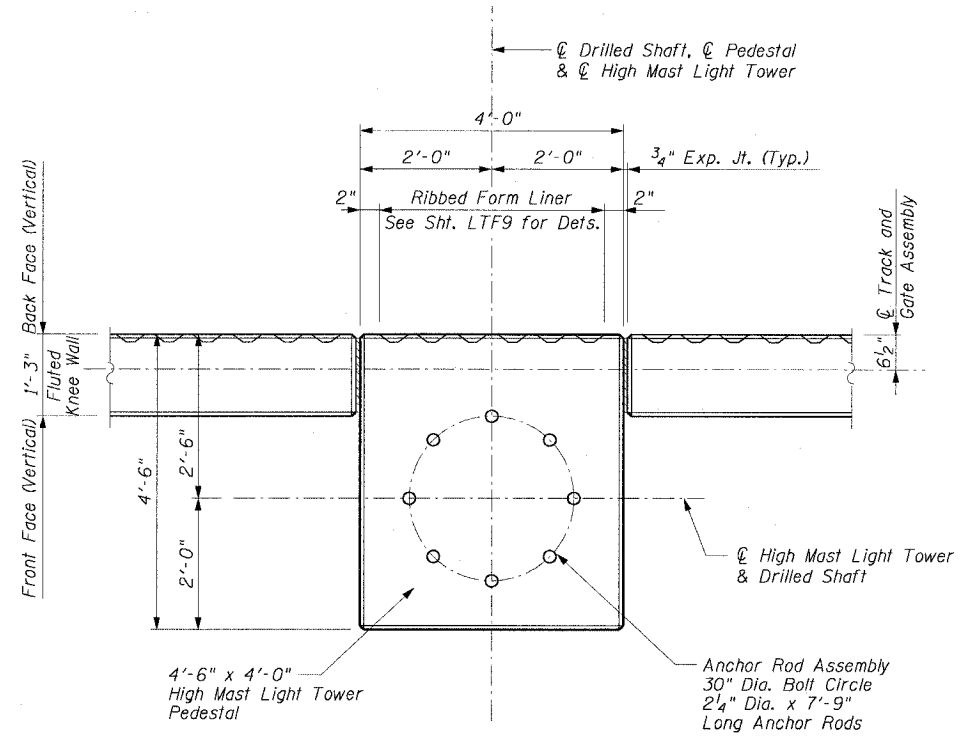


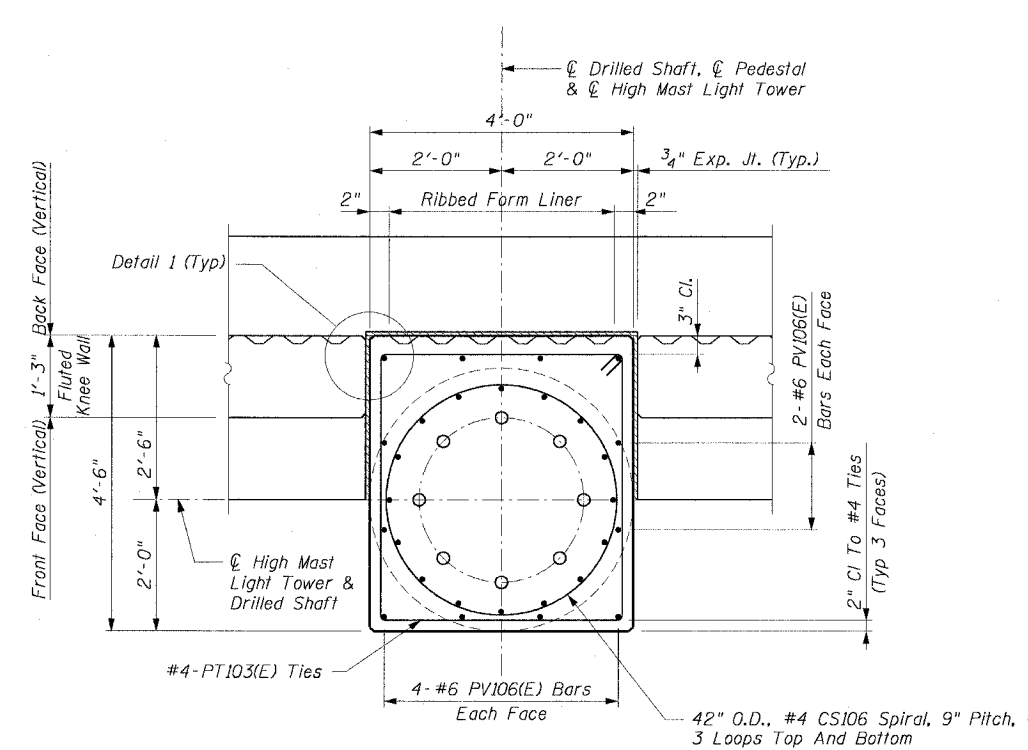
STATE OF ILLINOIS
DEPARTMENT OF TRANSPORTATION

F.A.I. RTE.	SECTION	COUNTY	TOTAL SHEETS	SHEET NO.
90/94	2021-922PT.1-AC	COOK	460	363
STA.	TO STA.			
FED. ROAD DIST. NO. 1	ILLINOIS	FED. AID PROJECT		

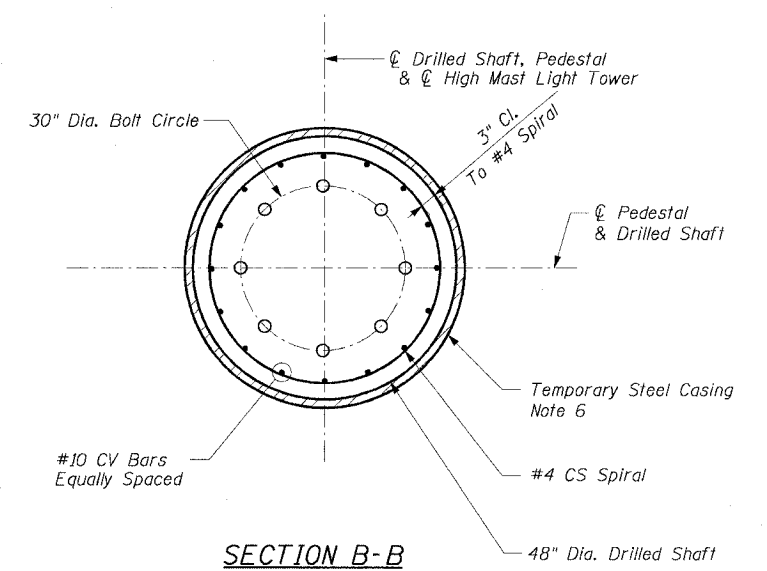
62693



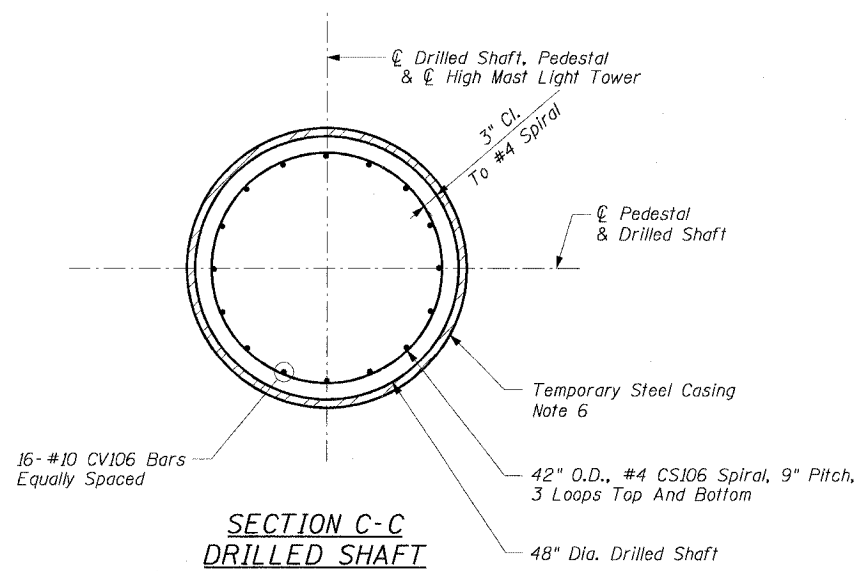
TOP PLAN



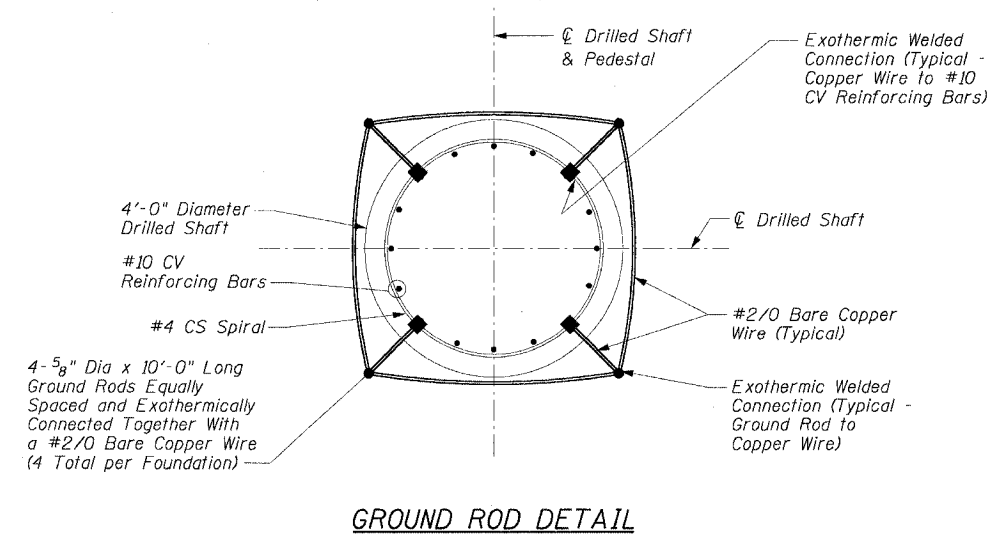
SECTION A-A
TOP OF PEDESTAL TO TOP OF DRILLED SHAFT



SECTION B-B
TOP OF DRILLED SHAFT TO
BOTTOM OF 2 1/4" DIA. ANCHOR RODS



SECTION C-C
DRILLED SHAFT



GROUND ROD DETAIL

NOTES:

- For Pedestal And Drilled Shaft Schedule See Sheet LTF1.
- For Reinforcement Details See Sht. LTF1.
- For Bill Of Material See Sht. LTF1.
- For Location Of Sections A-A, B-B And C-C See Sht. LTF9.
- All Faces Of Pedestal To Be Vertical.
- For Detail 1 See Sheet LTF11.
- For Notes 1 Through 13 See Sheet LTF1.
- 4-4" Dia. Raceways Are Not Shown For Clarity.



REVISIONS	
NAME	DATE

SHEET LTF10 of 11

ILLINOIS DEPARTMENT OF TRANSPORTATION
F.A.I. 90/94 (DAN RYAN EXPRESSWAY)
TYPICAL SECTIONS
HIGH MAST LIGHT TOWER 75CD2
WEST 63RD STREET TO WEST 59TH STREET
HIGH MAST LIGHT TOWER FOUNDATIONS
COOK COUNTY

SCALE: None
DATE: October 29, 2004
DRAWN BY: KWT
CHECKED BY: RS

10/21/2004 02:49:50 PM