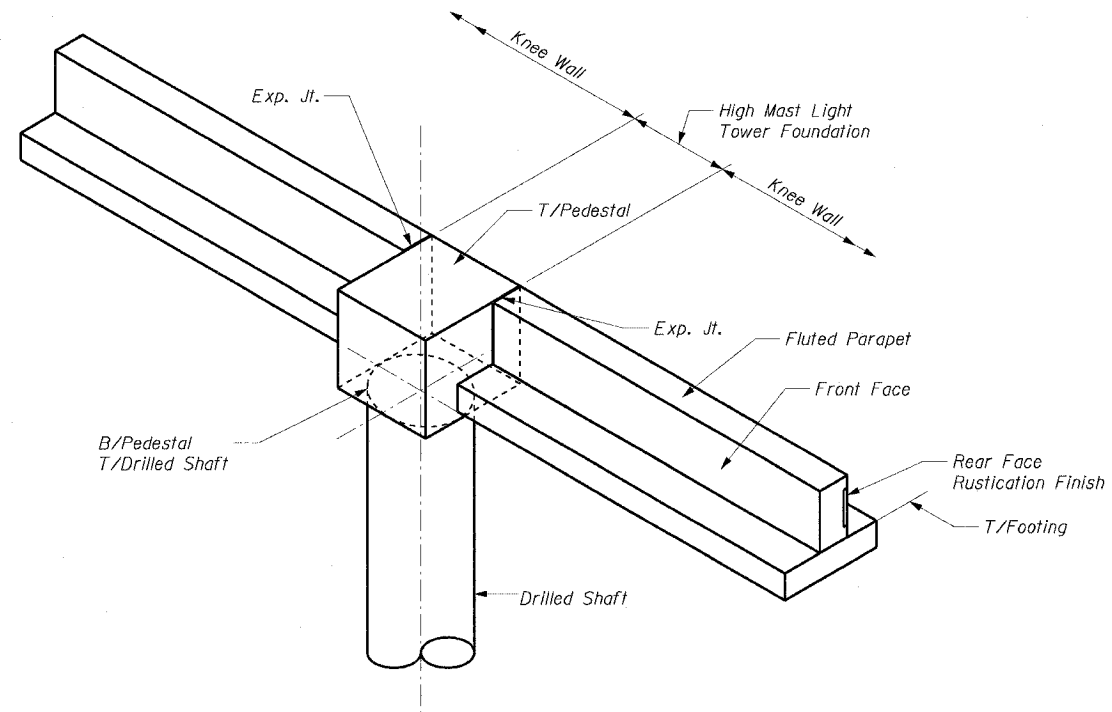
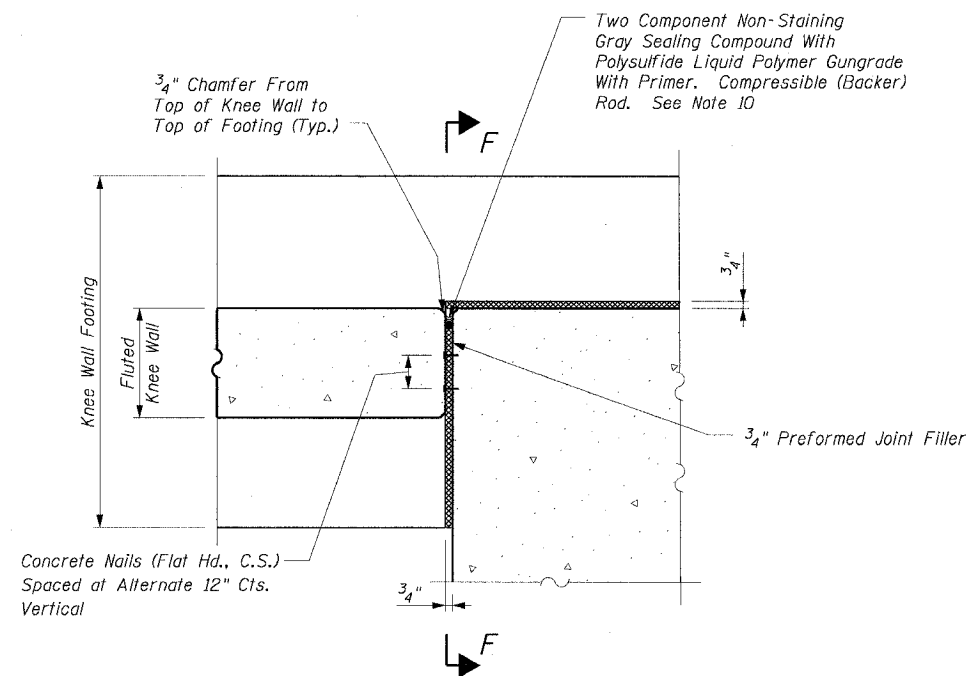
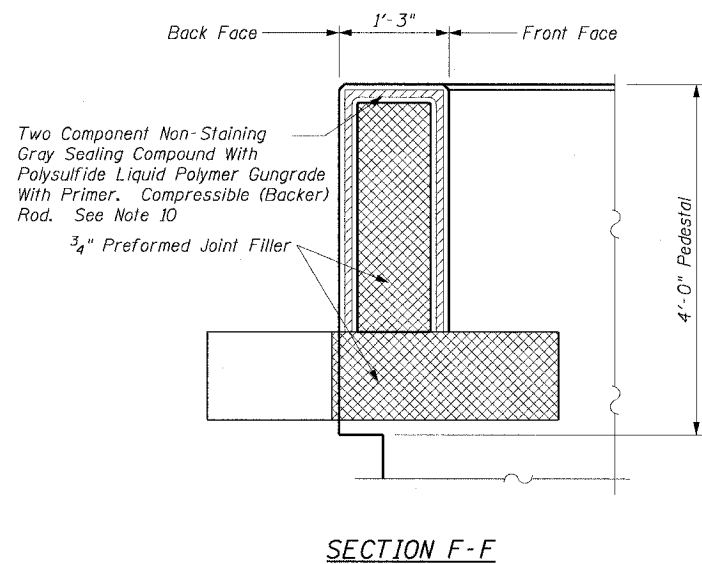


STATE OF ILLINOIS
DEPARTMENT OF TRANSPORTATION

F.A.I. RTE.	SECTION	COUNTY	TOTAL SHEETS	SHEET NO.
90/94	2021-922PT.1-AC	COOK	460	364
STA.	TO STA.			
FED. ROAD DIST. NO. 1	ILLINOIS	FED. AID PROJECT		

62693



VIEW OF HIGH MAST LIGHT TOWER FOUNDATION
AT FLUTED KNEE WALL

DETAIL 1 - EXPANSION JOINT

NOTES:
For Notes 1 Through 13 See Sheet LTF1.

REVISIONS	
NAME	DATE

SHEET LTF11 of 11
ILLINOIS DEPARTMENT OF TRANSPORTATION
F.A.I. 90/94 (DAN RYAN EXPRESSWAY)
TYPICAL DETAILS AND ARCHITECTURAL VIEW
HIGH MAST LIGHT TOWER TSCD2
WEST 63RD STREET TO WEST 59TH STREET
HIGH MAST LIGHT TOWER FOUNDATIONS
COOK COUNTY
SCALE: None
DATE: October 29, 2004
DRAWN BY: KWT
CHECKED BY: ML

10/27/2004 02:45:50 PM