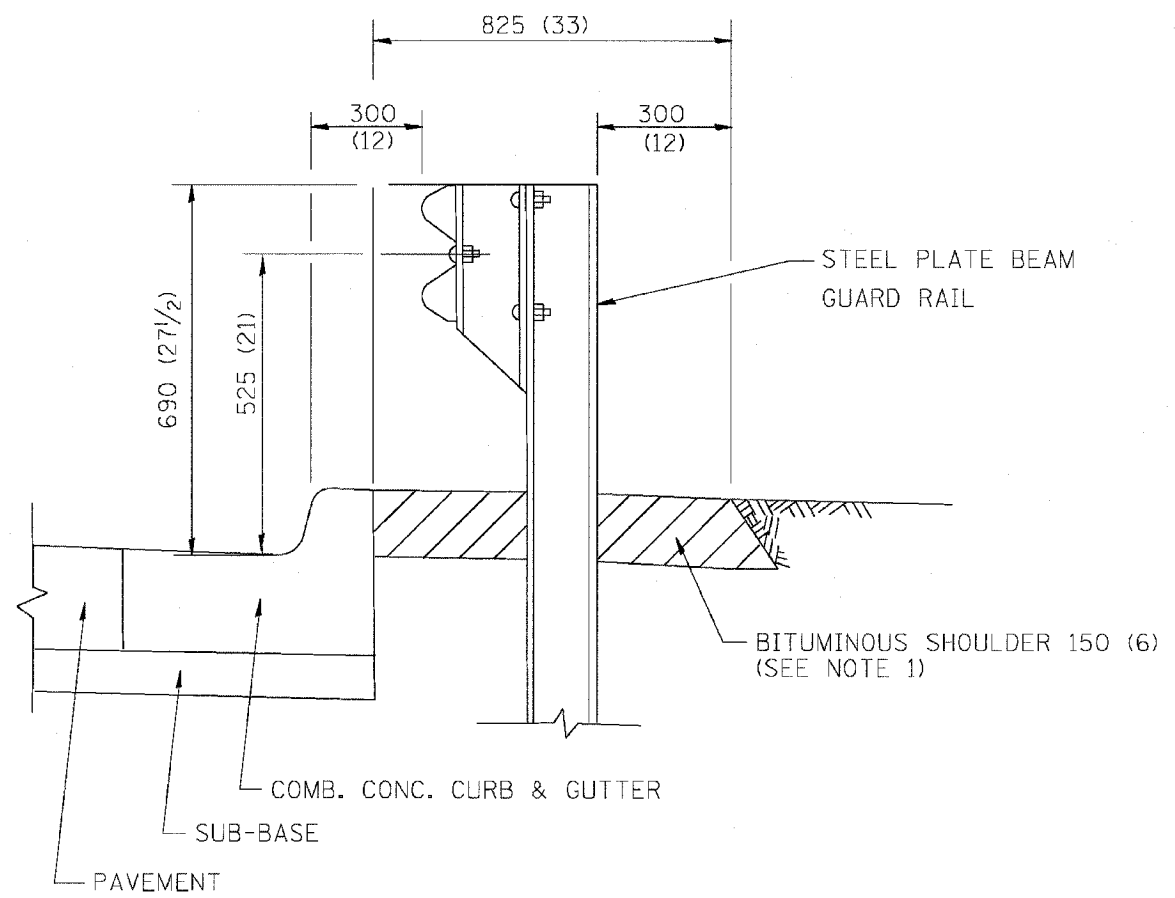


F. A. RTE.	SECTION	COUNTY	TOTAL SHEETS	SHEET NO.
9094	2021-922PT.1-AC	COOK	480	385
STA.	TO STA.			
FED. ROAD DIST. NO.	ILLINOIS	FED. AID PROJECT		

626B

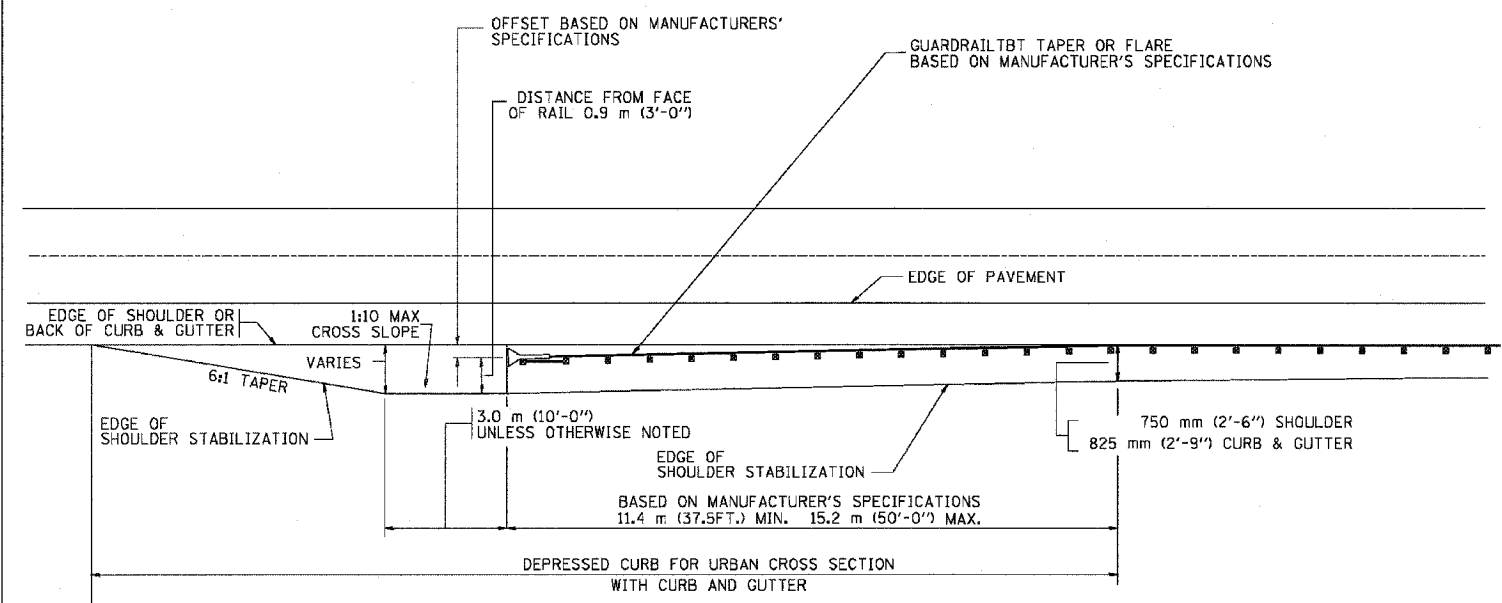


- NOTES: 1. THE BITUMINOUS SHOULDER SHALL EXTEND UNDER THE TRAFFIC BARRIER TERMINAL
2. GUARD RAIL MAY BE PLACED AT THE BACK OF CURB WHEN DIRECTED BY THE ENGINEER.

BASIS OF PAYMENT: BITUMINOUS SHOULDER 150 (6) WILL BE PAID FOR AT THE CONTRACT UNIT PRICE PER m² (sq. yd.) AS "BITUMINOUS SHOULDER 150 (6)."

STEEL PLATE BEAM GUARD RAIL AND TRAFFIC BARRIER TERMINAL, OF THE TYPE SPECIFIED WILL BE PAID FOR SEPARATELY.

DETAILS FOR STEEL PLATE BEAM GUARD RAIL ADJACENT TO CURB AND GUTTER [FOR ROADWAY SPEED 60 kmh (35 MPH) TO 70 kmh (45 MPH)]



STABILIZATION AT TBT TY. 1 SPL.

ALL DIMENSIONS ARE IN MILLIMETERS (INCHES) UNLESS OTHERWISE SHOWN.

ILLINOIS DEPARTMENT OF TRANSPORTATION
 DETAILS FOR STEEL PLATE BEAM GUARD RAIL ADJACENT TO CURB AND GUTTER
 STABILIZATION AT TBT TY 1 SPL.

REVISIONS	
NAME	DATE
M. DE YONG	09-22-90
M. DE YONG	07-14-92
R. SHAH	09/09/94
R. SHAH	10/25/94
R. SHAH	02/23/95
A. ABBAS	03/21/97
E. GOMEZ	08/28/00

SCALE: NONE
 DATE 10/18/2002
 DRAWN BY Jis
 CHECKED BY
 REVISION DATE: 08/28/00

DATE-TIME
 DGN-SPEC
 VI-B034