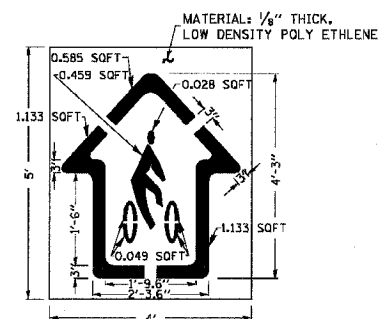
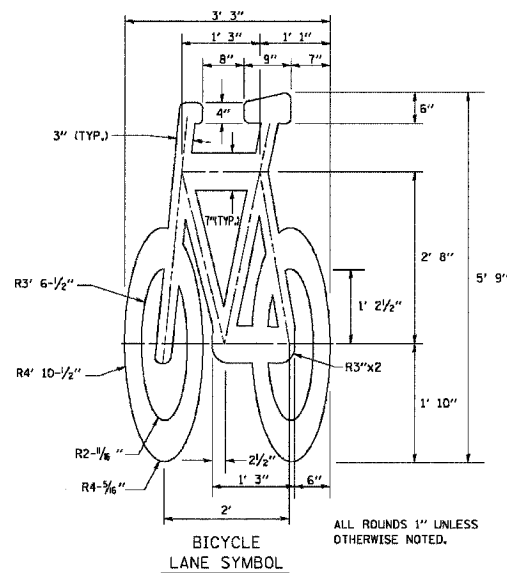
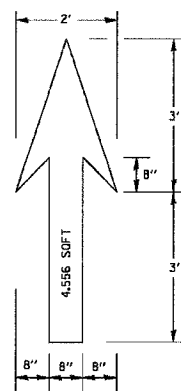


F.A. RTE.	SECTION	COUNTY	TOTAL SHEETS	SHEET NO.
9064	2021-922PT 1-AC	COOK	480	401
STA.		TO STA.		62693
FED. ROAD DIST. NO.	ILLINOIS	FED. AID PROJECT		



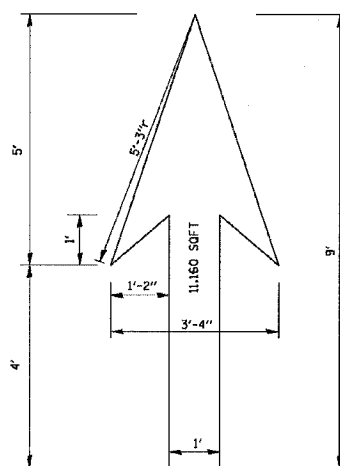
NOTE:

- FOR BIKE LANE SYMBOLS ONLY, USE PRE-FORMED THERMOPLASTIC SYMBOL MANUFACTURED BY 3M, PRODUCT "STAMARK" #3801
- THE RESIDENT ENGINEER SHALL CONTACT MR. BEN GOMBERG AT 312-744-8093 AT LEAST ONE CALENDAR WEEK PRIOR TO INSTALLING BIKE LANE SYMBOLS.

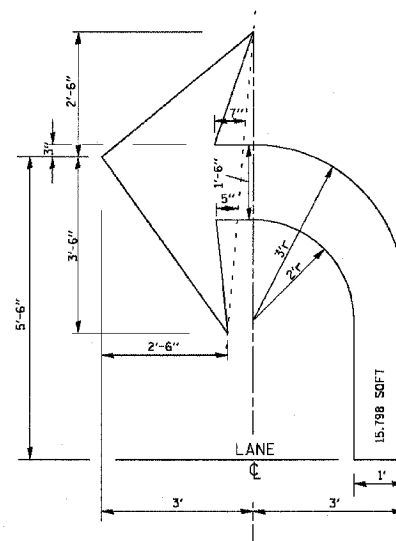
TYPICAL BIKE LANE SYMBOLS
DRAWING #28

DATE-TIME
DGN-SPEC
V17024

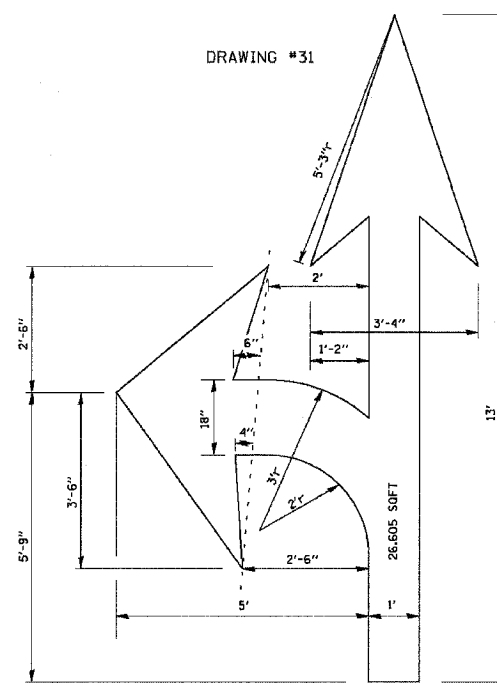
DRAWING #29



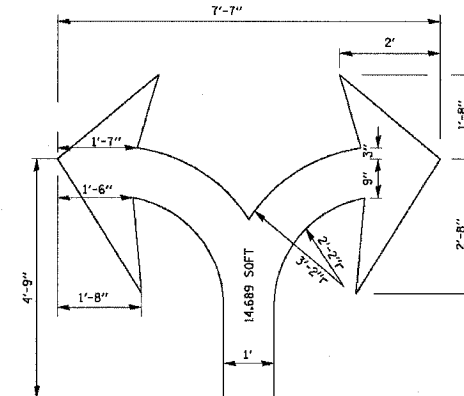
DRAWING #30



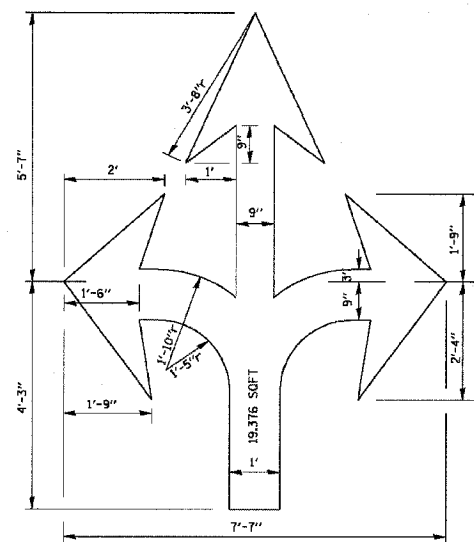
DRAWING #31



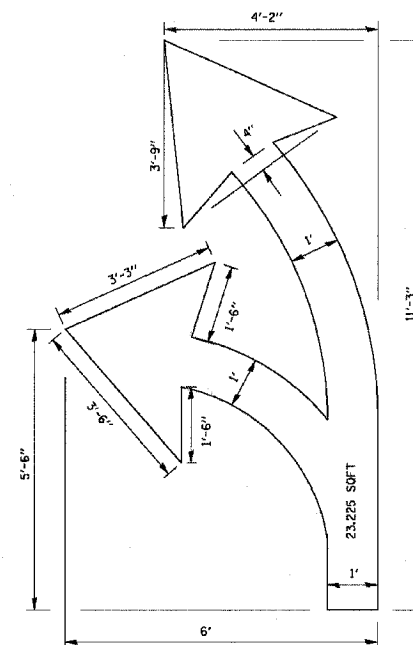
DRAWING #32



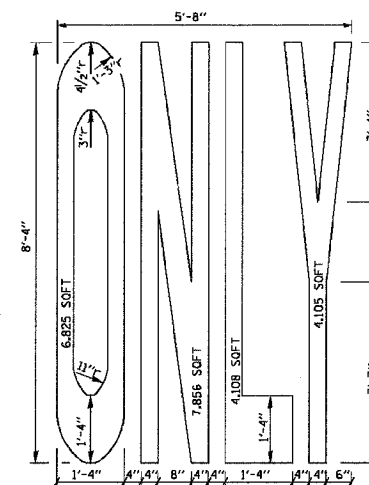
DRAWING #33



DRAWING #34



DRAWING #35



NOTE:

ALL MARKINGS SHALL BE SOLID WHITE UNLESS OTHERWISE NOTED IN THE PLANS

REVISIONS	
NAME	DATE
T. RAMMACHER	12/01/00

ILLINOIS DEPARTMENT OF TRANSPORTATION
CITY OF CHICAGO
TYPICAL PAVEMENT MARKINGS.

SCALE: NONE
DATE 10/18/2002

DRAWN BY
CHECKED BY
TC-24

REVISION DATE: 12/01/00