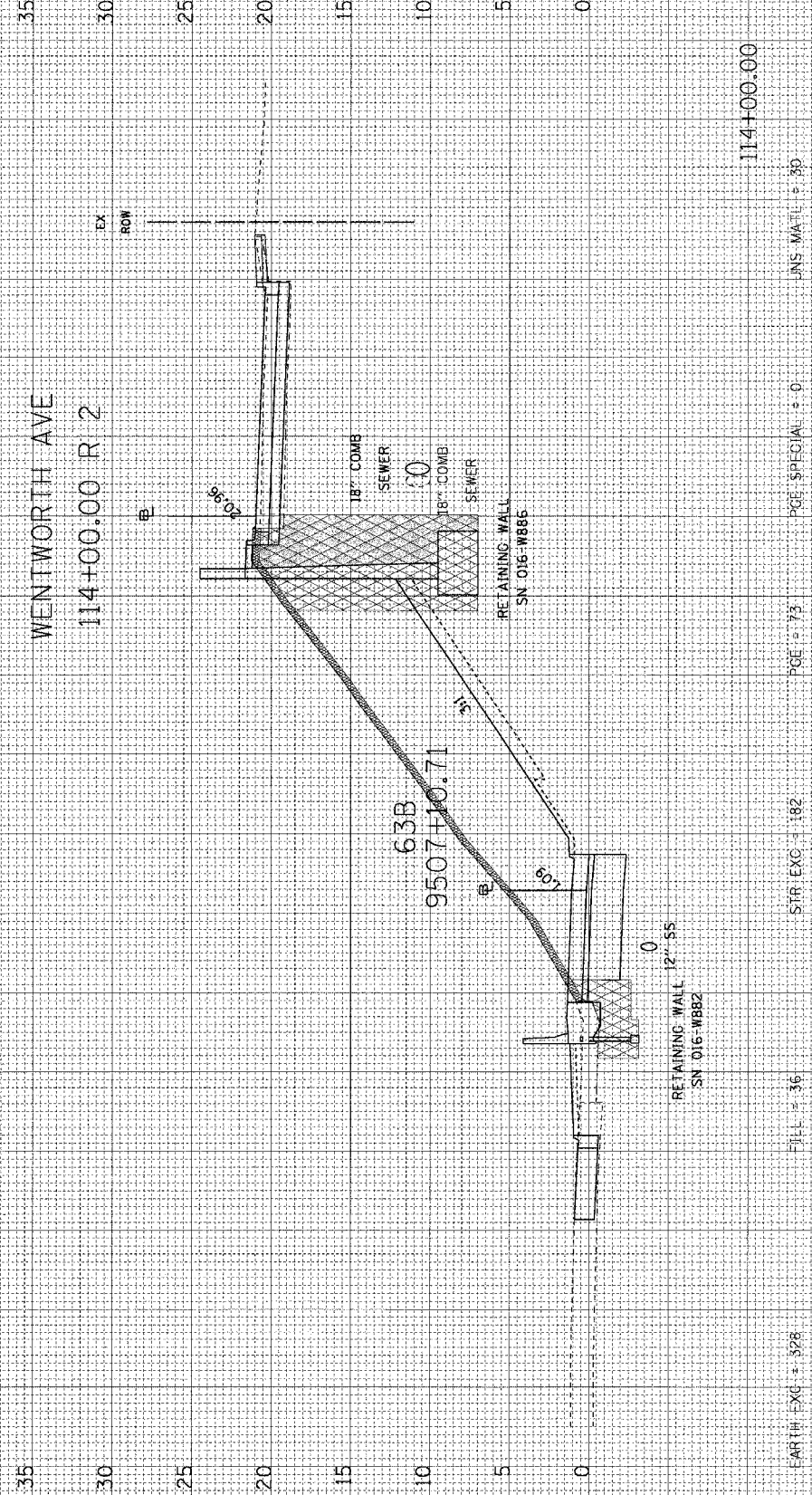
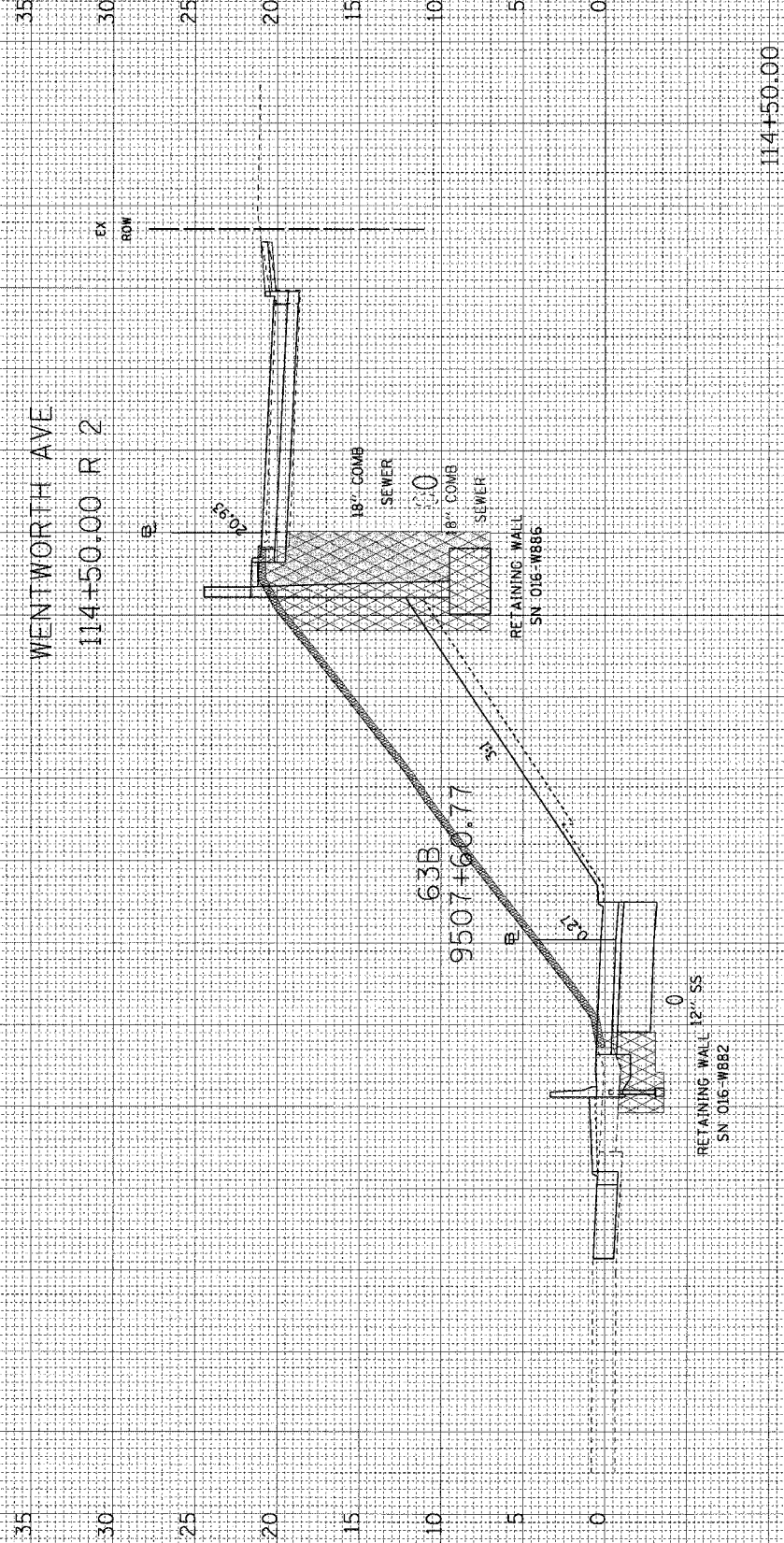


FINAL SHEET	SURVEYED PLOTTED	BY	DATE
NO.	NO.		
	AREAS CHECKED		

ORIGINAL SHEET	SURVEYED PLOTTED	BY	DATE
NO.	NO.		
	AREAS CHECKED		

F.A.I. RTE.	SECTION	COUNTY	TOTAL SHEETS	SHEET NO.
90/94	2021-922PT.1-AC	COOK	460	414
62693				
FED. ROAD DIST. NO. 1 ILLINOIS FED. AID PROJECT				



10/22/2004 10:42:58 AM m:\p40468\civil\114-0117\30-114-001-114-000.dwg