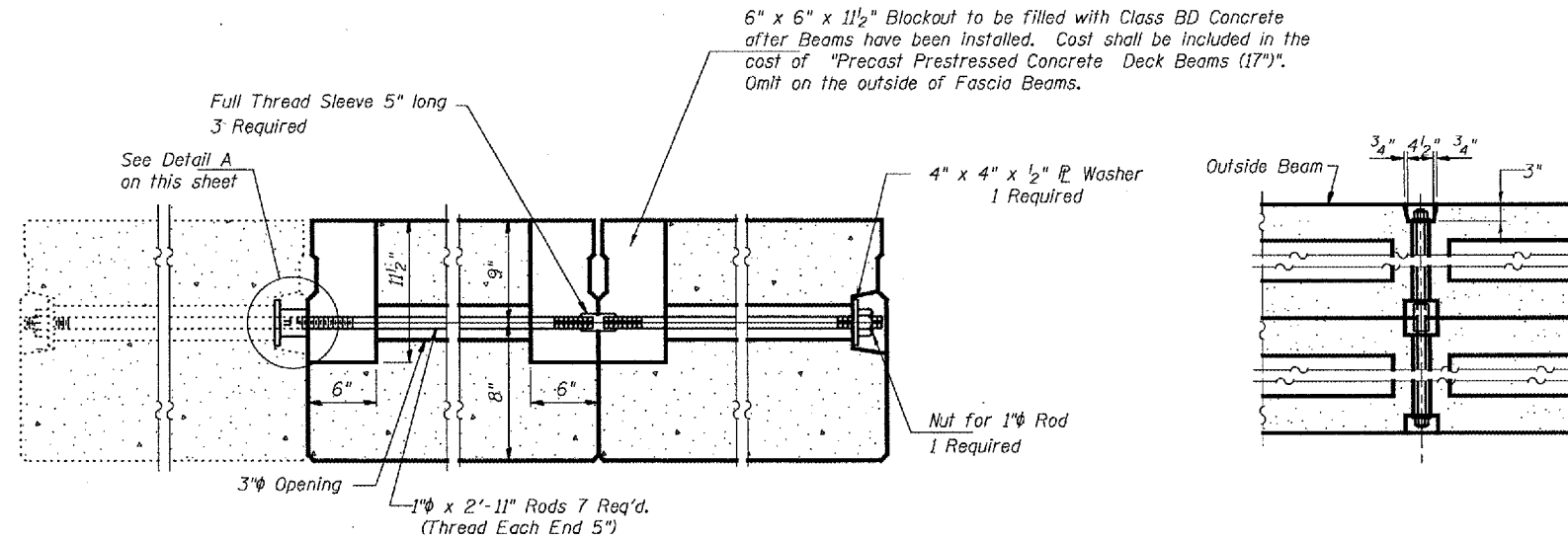
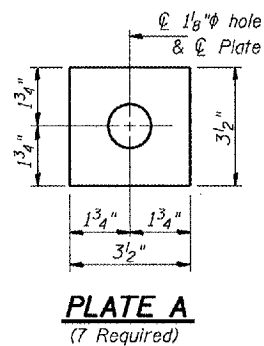
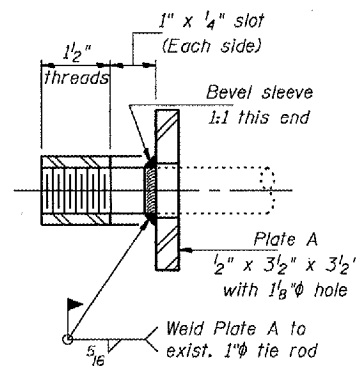
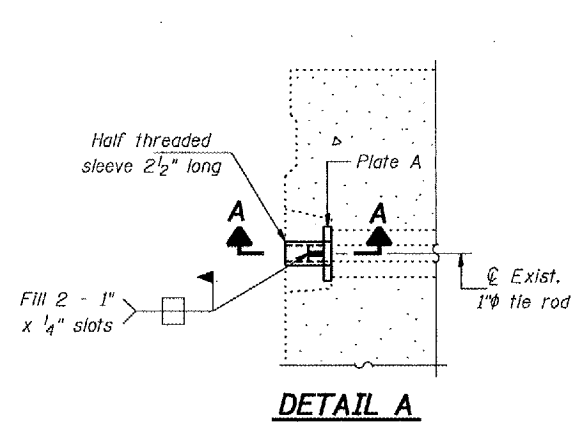


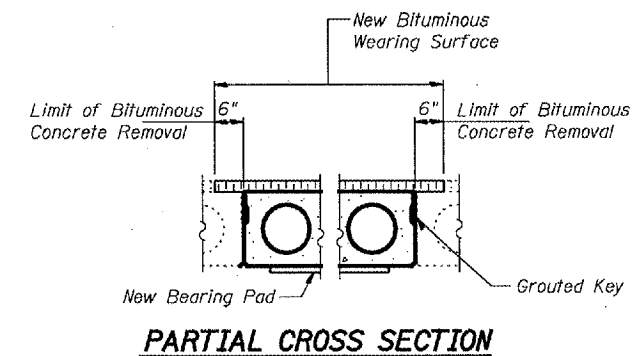
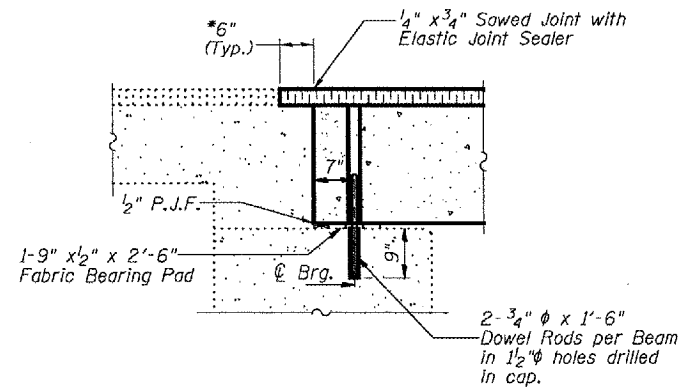
STATE OF ILLINOIS
DEPARTMENT OF TRANSPORTATION

ROUTE NO.	SECTION	COUNTY	TOTAL SHEETS	SHEET NO.
		Will	12	9
FED. ROAD DIST. NO. 7	ILLINOIS	FED. AID PROJECT		

62767



*Limits of Bituminous Concrete Surface Removal



DESIGNED	V.H.V.
CHECKED	P.S.J.
DRAWN	Drew Christopher
CHECKED	V.H.V. P.S.J.

December 3, 2004

EXAMINED *John A. Morris*
ENGINEER OF STRUCTURAL SERVICES

PASSED *Ralph E. Anderson*
ENGINEER OF BRIDGES AND STRUCTURES

BEAM DETAILS
US 45 OVER JACKSON CREEK
WILL COUNTY
SN.099-2005