

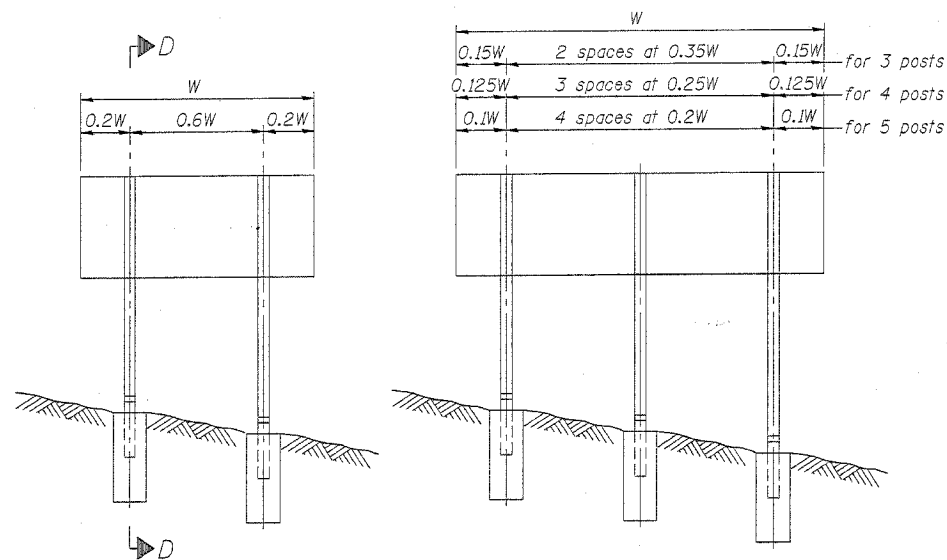
STATE OF ILLINOIS
DEPARTMENT OF TRANSPORTATION

F&M ROUTE NO.	SECTION	COUNTY	DATE	SHEET	SHEET NO.
90	*	COOK	62	30	
FED. ROAD DIST. NO. 7		ILLINOIS		FED. AID PROJECT-	

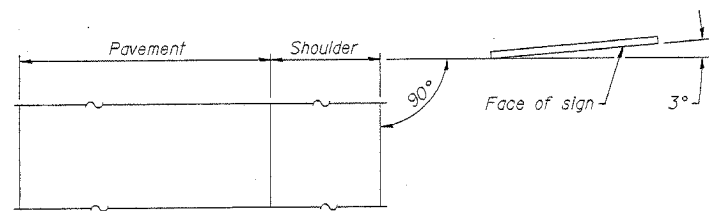
* 0102-6-I

62794

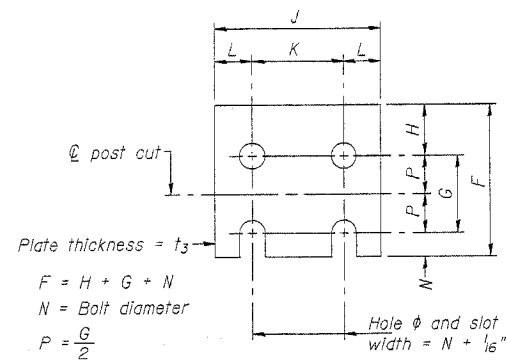
LOCATION TO BE DETERMINED BY THE ENGINEER



ELEVATION



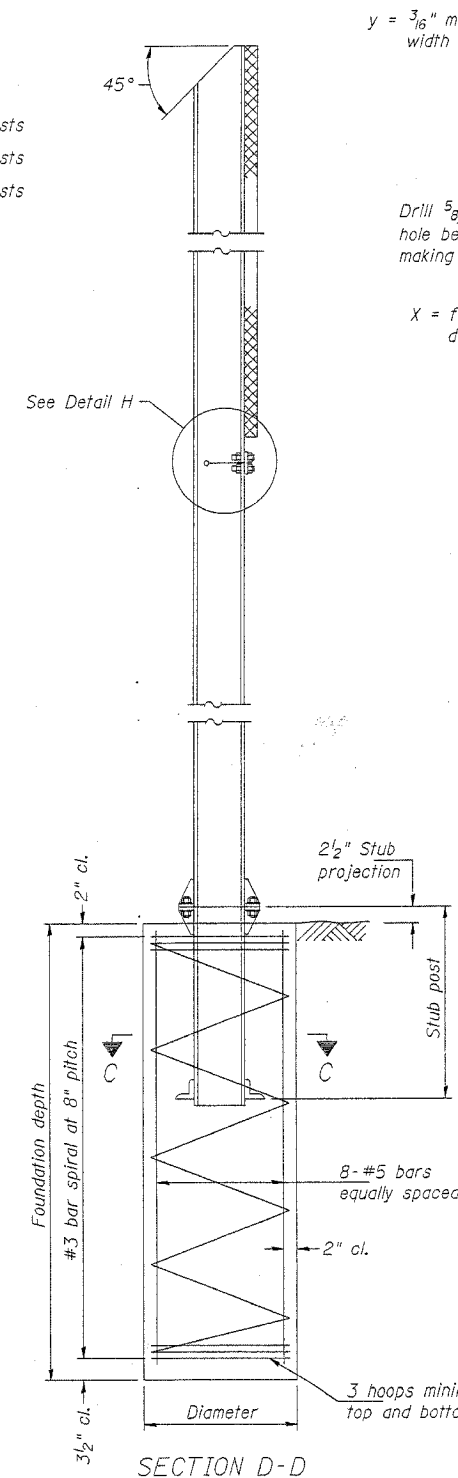
LOCATION SKETCH



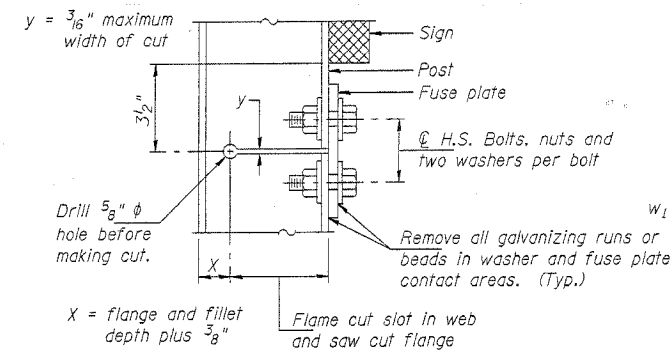
FUSE PLATE DETAIL

(Install with notches down.)

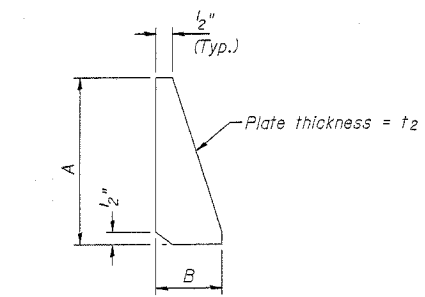
FUSE PLATE DATA		
N = Bolt Diameter	G	H
1/2"	2"	1 1/8"
5/8"	2 1/4"	1 1/4"
3/4"	2 1/2"	1 3/8"
7/8"	2 3/4"	1 1/2"
1"	3"	1 5/8"
1 1/8"	3 1/4"	1 3/4"



SECTION D-D

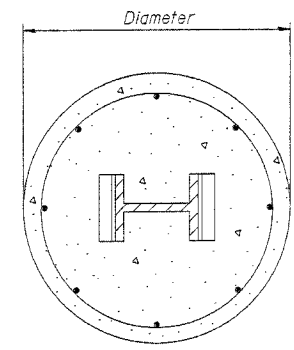


DETAIL H



STIFFENER PLATE DETAIL

(See table for dimensions.)



SECTION C-C

GENERAL NOTES

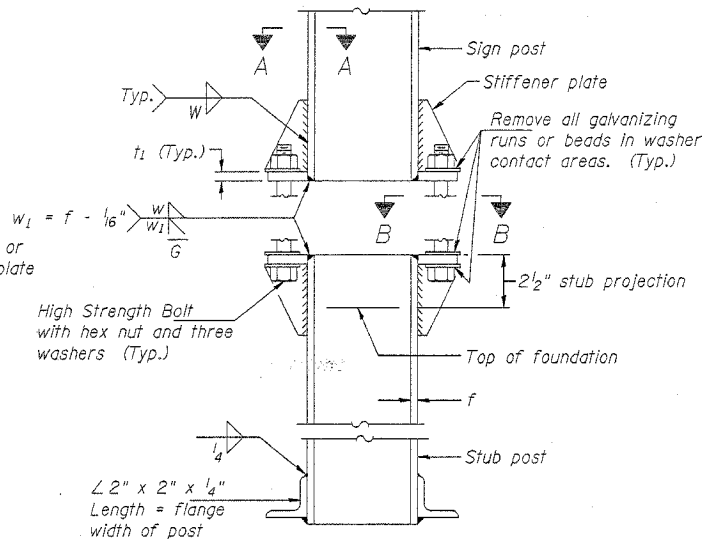
Posts shall be plumbed by using shims with post-to-stub post connection bolts snug tight only. Final tightening of all High Strength Bolts shall be in accordance with Article 505.04(f)(3), and threads at the junction of the bolt and nut shall be burred or center punched to prevent the nut from loosening.

LOADING: 80 m.p.h. wind with 30% gust factor, normal to sign.

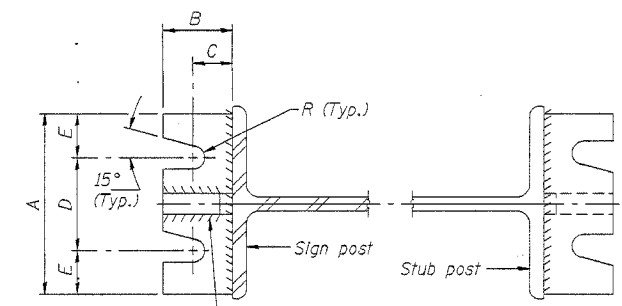
DESIGN STRESSES:
Structural steel - 20,000 p.s.i.
Reinforcing steel - 20,000 p.s.i.
Concrete - 1,400 p.s.i.
Footing soil pressure - 2,000 p.s.f.

After fabrication, the post, fuse plate and upper 6" (Minimum) of the stub post shall be hot-dip galvanized in accordance with AASHTO M111. All bolts, nuts and washers shall be hot-dip galvanized in accordance with AASHTO M232.

Work this sheet with Base Sheet BAW-A-2.

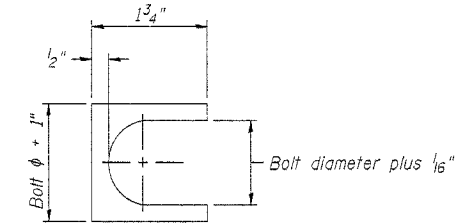


ELEVATION
SIGN POST & STUB POST



SECTION A-A

SECTION B-B



SHIM DETAIL

Furnish two 0.01" thick and two 0.03" thick stainless steel or brass (ASTM B36) shims per post.

BREAK-AWAY WIDE FLANGE
STEEL SIGN POST DETAILS

ILLINOIS DEPARTMENT OF TRANSPORTATION
FA190 (KENNEDY EXPRESSWAY)
I-190 RAMP REPAIR
PROPOSED GROUND MOUNT - EAST OF HARLEM

SCALE: NONE
DATE: 05/11/04

DESIGNED BY: RDB
DRAWN BY: RDB
CHECKED BY: CS

(Sheet 1 of 2)

DESIGNED	-
CHECKED	-
DRAWN	-
CHECKED	-

BAW-A-1 11/1/2002

EXAMINED	20
PASSED	ENGINEER OF BRIDGE DESIGN
	ENGINEER OF BRIDGES AND STRUCTURES

NUMBER	REVISION	DATE