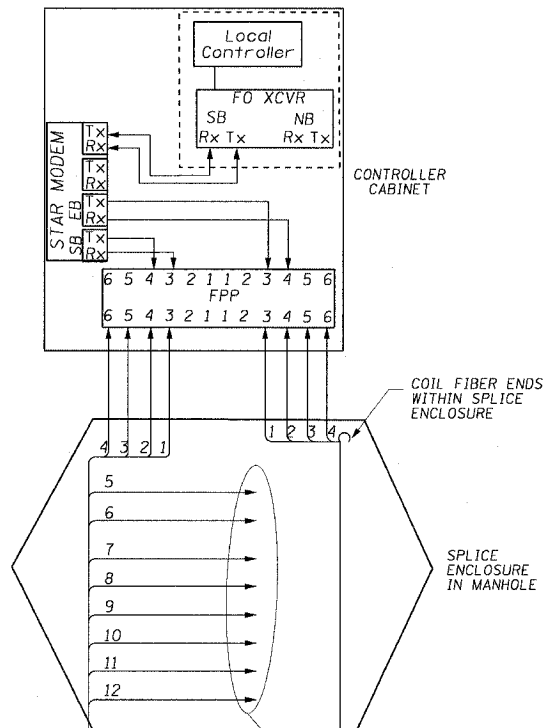
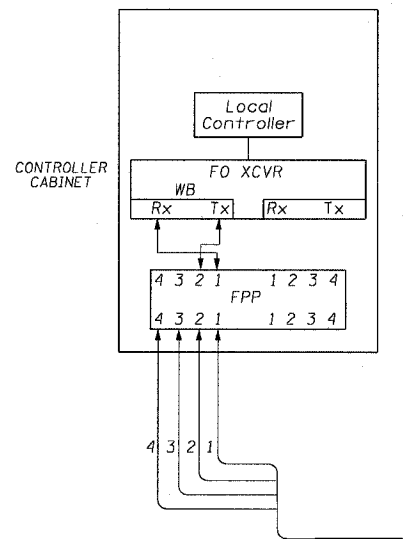


WELLS ST - WENTWORTH AVE @ 47TH ST



HYBRID FIBER OPTIC CABLE 6SM/6MM TO CONTROLLER AT SW CORNER OF 51ST ST AND WELLS ST INSTALLED BY IDOT CONTRACT 9B - 62586 FINAL CONNECTION TO CONTROLLER BY IDOT CONTRACT 9B8 - 62802

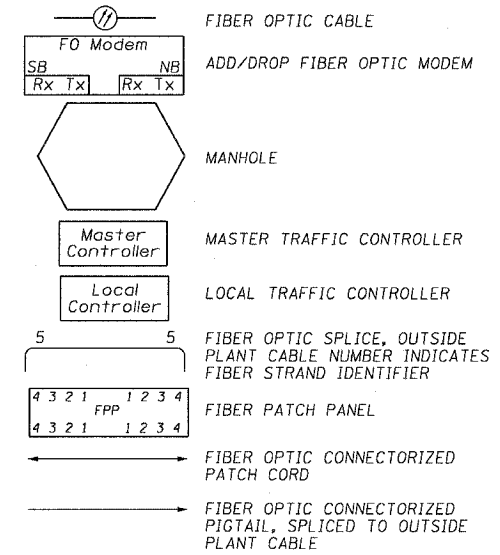
WENTWORTH AVE - LASALLE ST @ 47TH ST



NOTE:

THIS CONTRACTOR SHALL FURNISH AND INSTALL OPTICAL SPLICES AND ENCLOSURE, OPTICAL TERMINATIONS, PIGTAILS, PATCHCORDS, MULTIMODE TO SINGLE MODE CONVERTORS, FIBER PATCH PANEL, AND HARDWARE AND SOFTWARE REQUIRED FOR A FULLY OPERATIONAL SYSTEM AND FUTURE CONNECTION TO A CLOSED LOOP SYSTEM. THE COST OF THIS WORK SHALL BE INCLUDED IN "CABINET WORK, SPLICING, TESTING AND MISC." ITEM AND SEPARATE PAYMENT WILL NOT BE MADE.

LEGEND



FIBER SCHEDULE

FIBER	FUNCTION	FIBER TYPE	FIBER COLOR	BUFFER TUBE
1	CONTROLLER MODEM	MULTIMODE	BLUE	BLUE
2	CONTROLLER MODEM	MULTIMODE	ORANGE	BLUE
3	CABINET SPARE	MULTIMODE	GREEN	BLUE
4	CABINET SPARE	MULTIMODE	BROWN	BLUE
5	UNUSED	MULTIMODE	SLATE	BLUE
6	UNUSED	MULTIMODE	WHITE	BLUE
7	UNUSED	SINGLE MODE	BLUE	ORANGE
8	UNUSED	SINGLE MODE	ORANGE	ORANGE
9	UNUSED	SINGLE MODE	GREEN	ORANGE
10	UNUSED	SINGLE MODE	BROWN	ORANGE
11	UNUSED	SINGLE MODE	SLATE	ORANGE
12	UNUSED	SINGLE MODE	WHITE	ORANGE

REVISIONS	
NAME	DATE