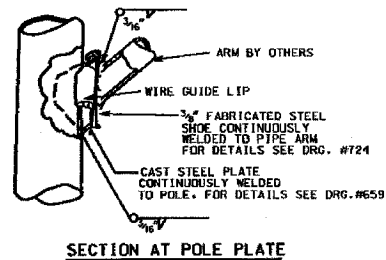


F.A.I. RTE.	SECTION	COUNTY	TOTAL SHEET SHEETS	NO.
90/94	2004-065TS	COOK	62	36
STA.	TO STA.			
FED. ROAD DIST. NO. 1 ILLINOIS FED. AID PROJECT				

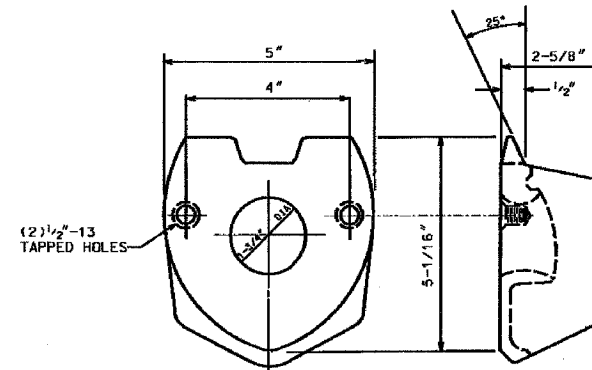
62804



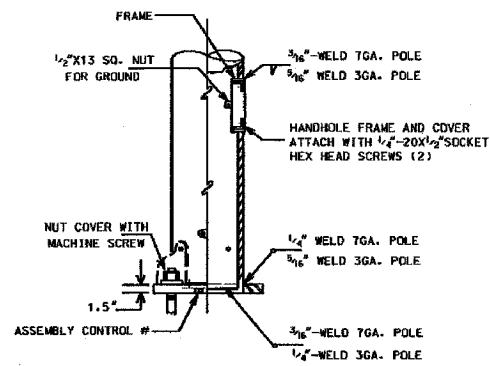
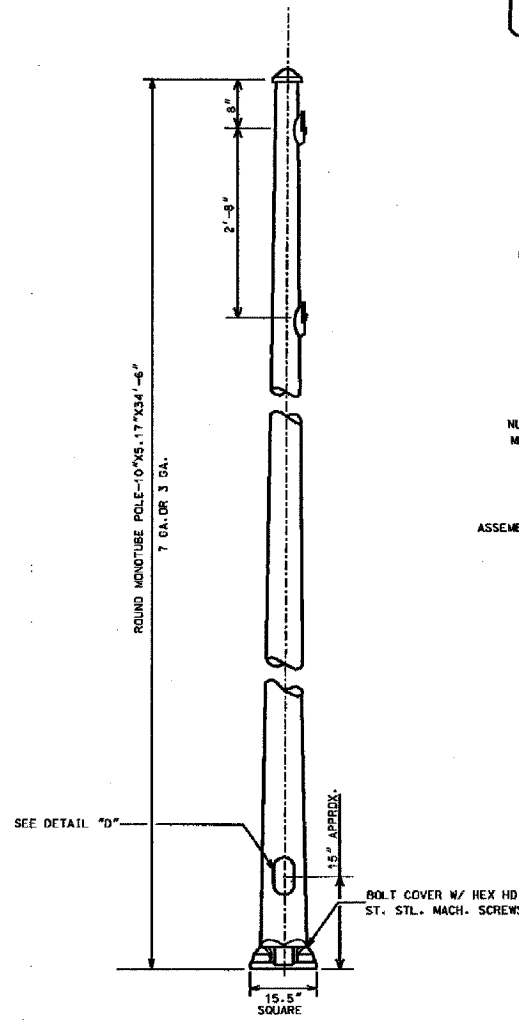
3/8"-16NCX1" LONG SET SCREWS (3@120°)  
POLE CAP  
FOR DETAILS SEE DRG.# 11420-A



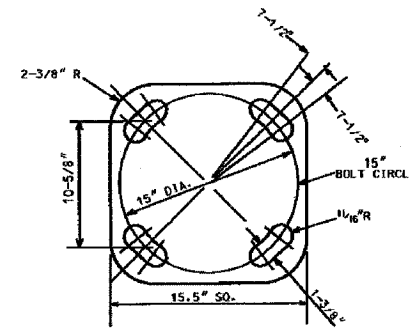
SECTION AT POLE PLATE



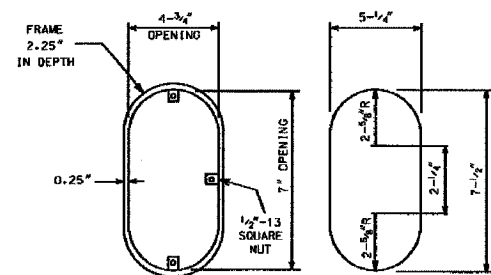
2 BOLT MAST ARM ATTACHMENT  
FOR DETAILS SEE DRG.# 659 MATERIAL: CAST STEEL



DETAIL "D"



DETAIL "A"  
BOLT SLOTS



FRAME DOOR  
HANDHOLE DETAIL

5.17"x10.0" STEEL/34'-6" POLE 7 OR 3 GAUGE		
CITY OF CHICAGO DEPT. OF STREETS AND OPERATIONS BUREAU OF ELECTRICITY DIVISION OF ELECTRICAL ENGINEERING		
DRAFTSMAN: <b>ROBERT IVY</b>	CHIEF DRAFTSMAN: <b>ROBERT CARTER</b>	ENGINEER: <b>RON POOL</b>
SUPERVISING ENGINEER: ELEC. DESIGN ENGR.		DWG. NO.
ENGINEER OF ELECTRICITY:		<b>808</b>
DEPT. SLEUT OF ELECTRICITY:		
DEPUTY COMMISSIONER:		10-03-01

BOE-11

REVISIONS	
NAME	DATE

ILLINOIS DEPARTMENT OF TRANSPORTATION  
F.A.I. 90/94 (DAN RYAN EXPRESSWAY)  
TRAFFIC SIGNALS AT 47TH STREET WITH  
WENTWORTH AVENUE - LASALLE STREET AND  
WELLS STREET - WENTWORTH AVENUE

BOE STANDARD DETAILS

SCALE: NOT TO SCALE DRAWN BY: HAR  
DATE: October 29, 2004 CHECKED BY: WDS