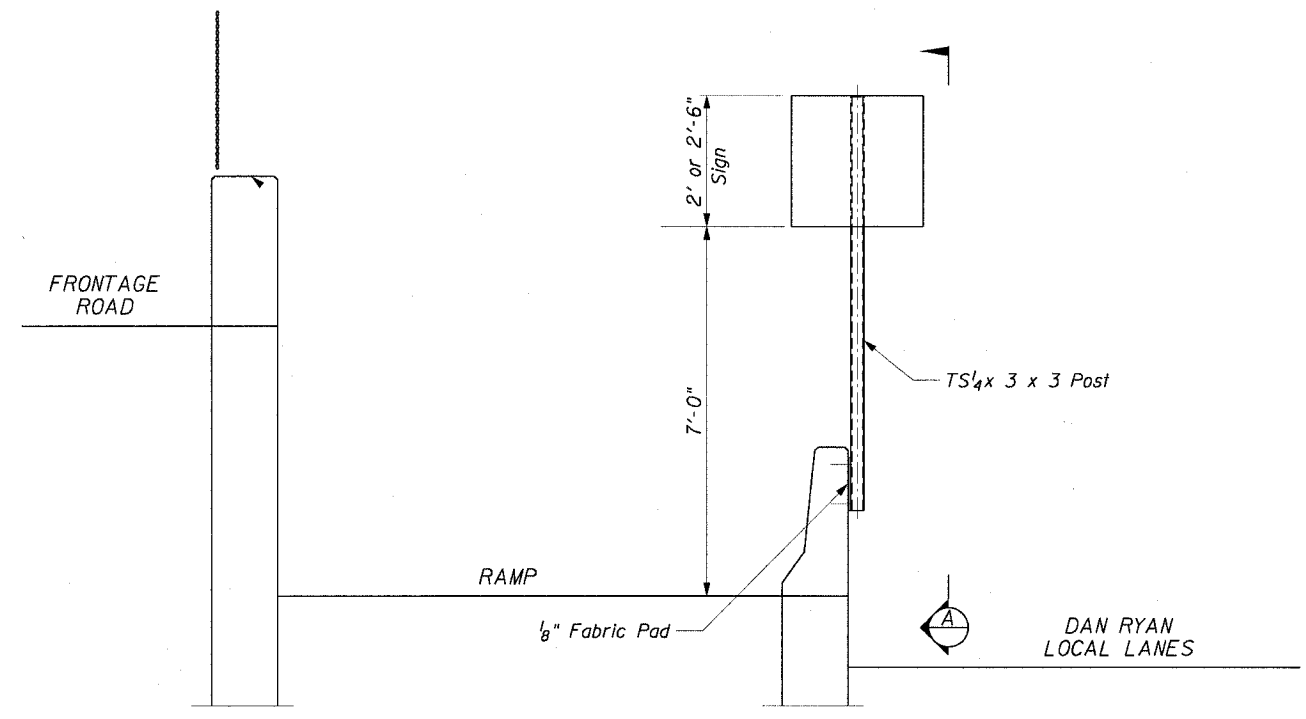


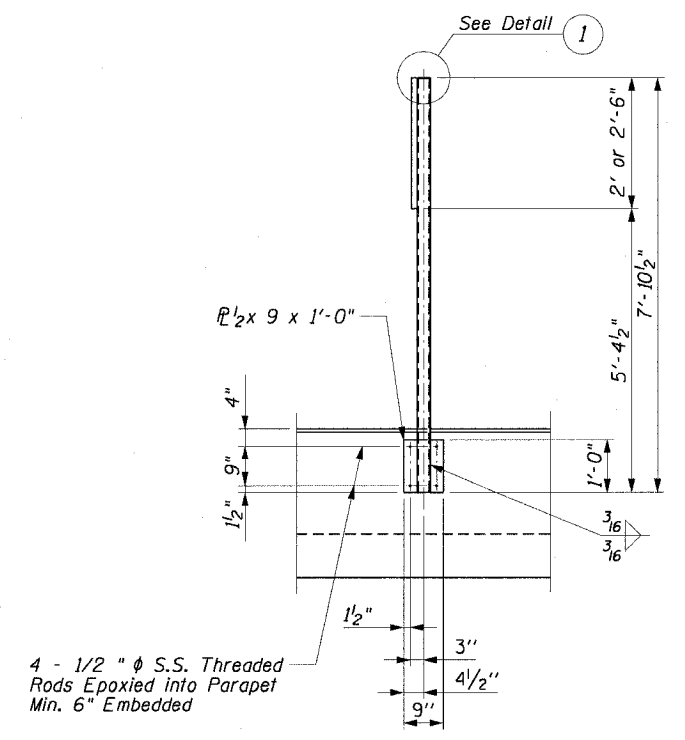
F.A.I. RTE.	SECTION	COUNTY	TOTAL SHEETS	SHEET NO.
90/94	2004-095 SG	COOK	30	28
STA.	TO STA.			
FED. ROAD DIST. NO. 1		ILLINOIS	FED. AID PROJECT	

62836

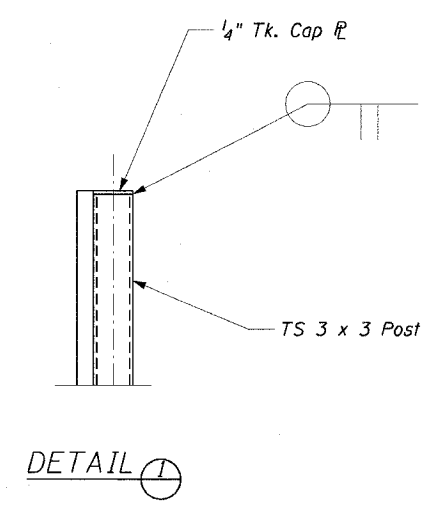
WALL MOUNTED SIGN SUPPORT FOR TYPE 1 PANEL (SPECIAL) DETAILS



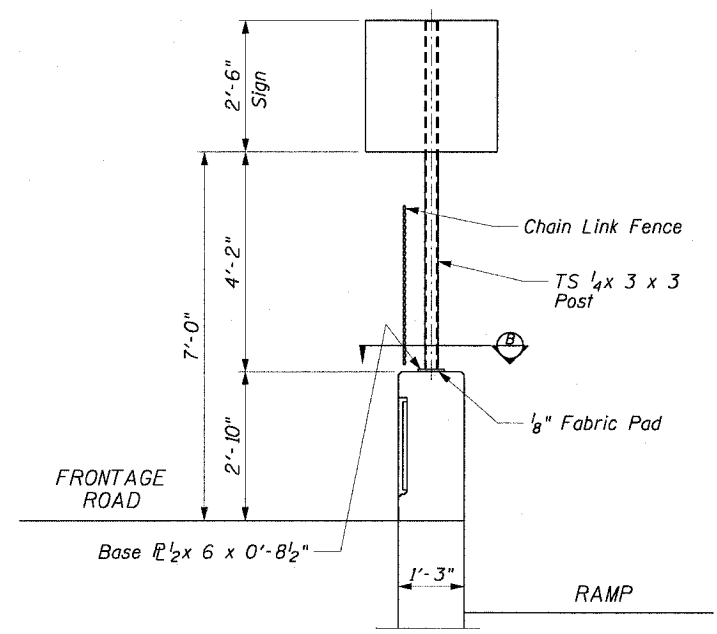
BARRIER WALL SIGN POST MOUNTING ELEVATION



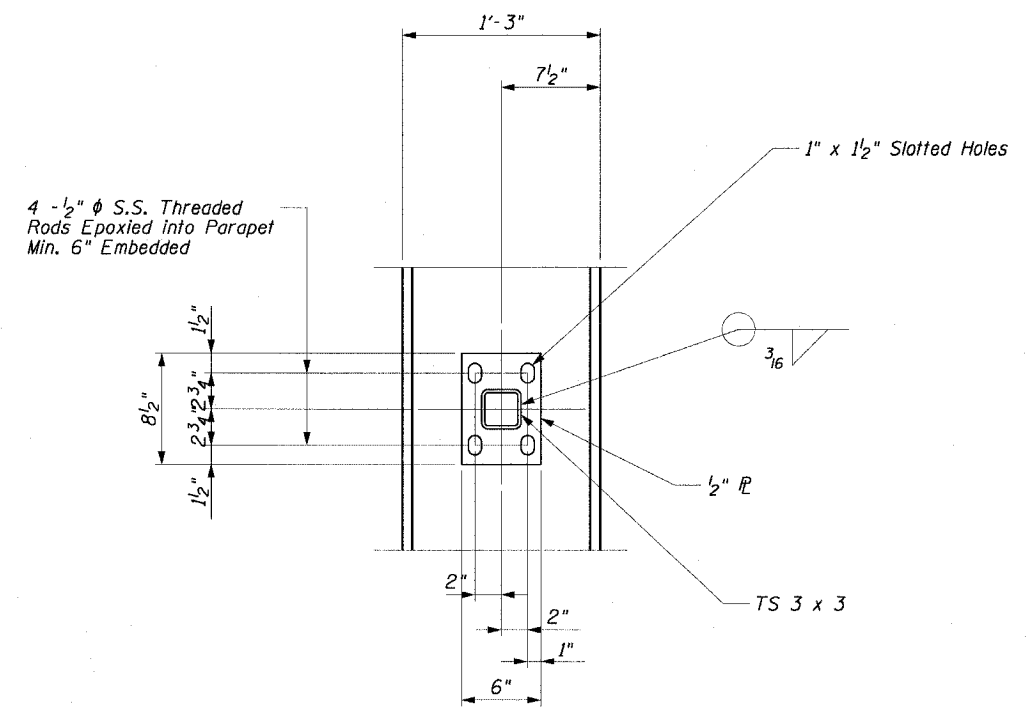
SECTION A



DETAIL 1



PARAPET WALL SIGN POST MOUNTING ELEVATION



SECTION B

NOTE

When drilling and epoxy grouting the anchor rods, the Contractor shall use the capsule or the adhesive cartridge type anchor rods that have been previously tested and given a prior approval by the Department. The Contractor shall install these anchor rods in pre-drilled holes according to the manufacturer's recommendations and procedures. The capsule or the adhesive cartridge shall be sealed with pre-measured amounts of the adhesive chemical.

REVISIONS	
NAME	DATE

ILLINOIS DEPARTMENT OF TRANSPORTATION
 F.A.I. 90/94 (DAN RYAN EXPRESSWAY)
 63rd ST TO 59th ST (FRONTAGE ROAD SIGNING)
WALL MOUNTED SIGN SUPPORT FOR TYPE 1 PANEL (SPECIAL) DETAILS
 SCALE: NONE
 DATE: NOVEMBER 5, 2004
 DRAWN BY: DS
 CHECKED BY: SWANG

11/02/2004 03:46:17 PM