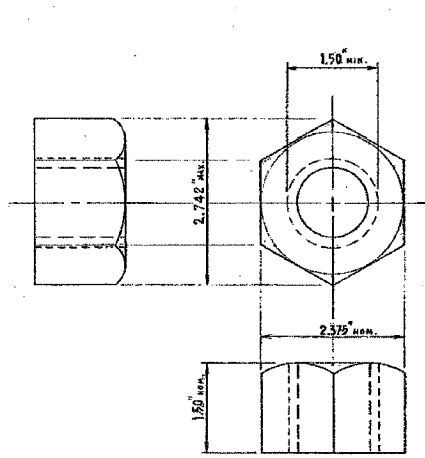
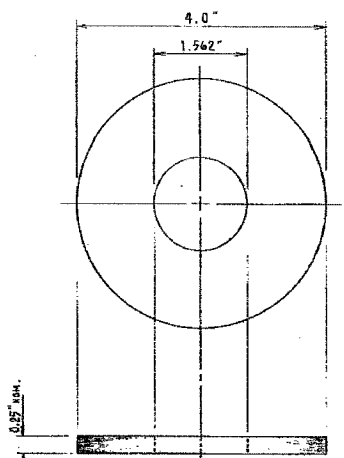


F.A.I. RTE.	SECTION	COUNTY	TOTAL SHEETS	SHEET NO.
90/94	2004-098TS	COOK	63	37
STA.	TO STA.			
FED. ROAD DIST. NO. 1		ILLINOIS	FED. AID PROJECT	

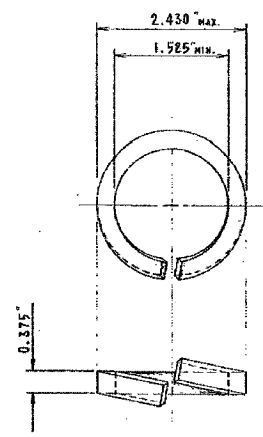
62839



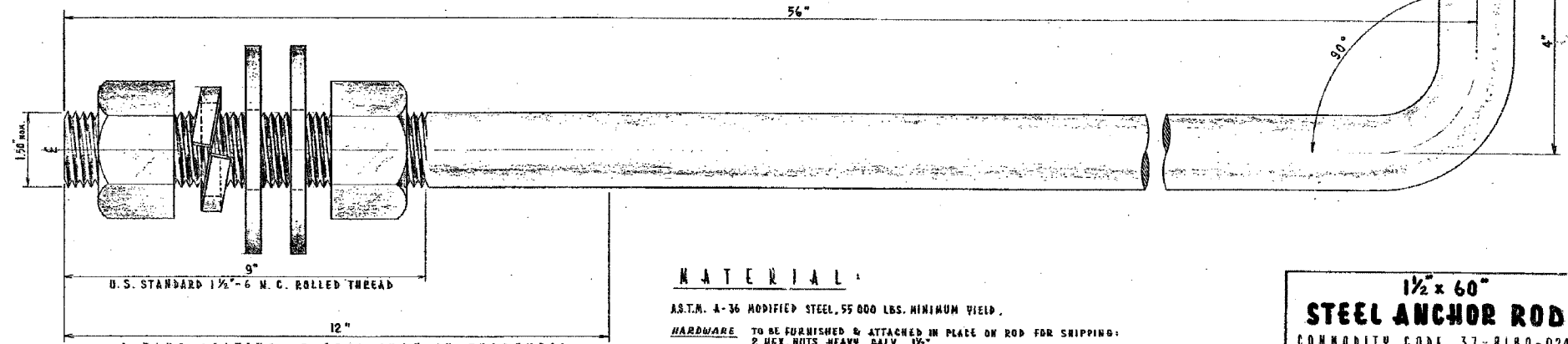
HEXAGON NUT
 AMER. NAT'L. STD. HEAVY HEX. FLAT NUT
 (ANSI B 18.2.2 - 1972)



FLAT WASHER
 AMER. NAT'L. STD. TYPE "B" SERIES "W"
 (ANSI B 18.22.1-1966, R1975)



LOCK WASHER
 AMER. NAT'L. STD. HELICAL SPRING LOCK WASHER
 (ANSI B 18.21.1 - 1972)



D. S. STANDARD 1/2" - 6 N. C. ROLLED THREAD

A ZINC COATING 0.0021 INCH IN THICKNESS SHALL BE APPLIED OVER THIS LENGTH AND COVERED WITH HEAVY NO-OX-ID, OR EQUAL, RUST INHIBITING COMPOUND

MATERIAL

A.S.T.M. A-36 MODIFIED STEEL, 55 000 LBS. MINIMUM YIELD.
HARDWARE TO BE FURNISHED & ATTACHED IN PLACE ON ROD FOR SHIPPING:
 2 HEX. NUTS, HEAVY, GALV., 1/2"
 2 WASHERS, STEEL, ROUND, GALV., TYPE "B", SERIES "W", 1 1/2"
 1 WASHER, LOCK, STEEL, GALV., HELICAL SPRING, REGULAR, 1/2".
 BOLT & NUTS SHALL HAVE AN AMERICAN STANDARD CLASS 2 OR 3 FIT.
 (NUT IS TAPPED OVERSIZE BY 1/32")

1/2" x 60"
STEEL ANCHOR ROD
 COMMODITY CODE 37-8180-0240

REVISED	CITY OF CHICAGO DEPT. OF STREETS AND SANITATION BUREAU OF ELECTRICAL ENGINEERING	
A JUL 29, 1982	DRAWN: EUGENE GERULIS	CHECKED: M. SHINE
B	DESIGNED: [Signature]	DATE: [Blank]
C	APPROVED: [Signature]	DATE: [Blank]
D	APPROVED: [Signature]	DATE: [Blank]
E	APPROVED: [Signature]	DATE: [Blank]
F	APPROVED: [Signature]	DATE: [Blank]
G	APPROVED: [Signature]	DATE: [Blank]

806

DATE AUG 3, 1982

REVISIONS	
NAME	DATE

ILLINOIS DEPARTMENT OF TRANSPORTATION
 F.A.I. 90/94 (DAN RYAN EXPRESSWAY)
 TRAFFIC SIGNALS AT 59TH STREET AND
 WENTWORTH AVENUE / WELLS STREET

BOE STANDARD DETAILS

SCALE: NOT TO SCALE
 DATE: November 12, 2004

DRAWN BY: HAR
 CHECKED BY: WDS

BOE-10

11/09/2004 11:03:47 AM