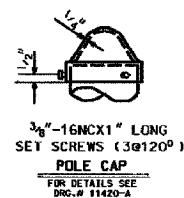
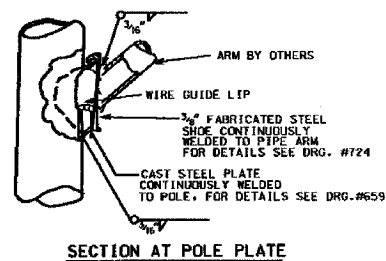


F.A.I. RTE.	SECTION	COUNTY	TOTAL SHEETS	SHEET NO.
90/94	2004-098TS	COOK	63	38
STA.	TO STA.			
FED. ROAD DIST. NO. 1 ILLINOIS FED. AID PROJECT				

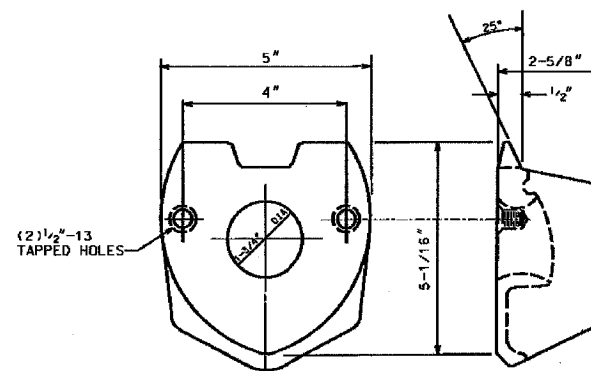
62839



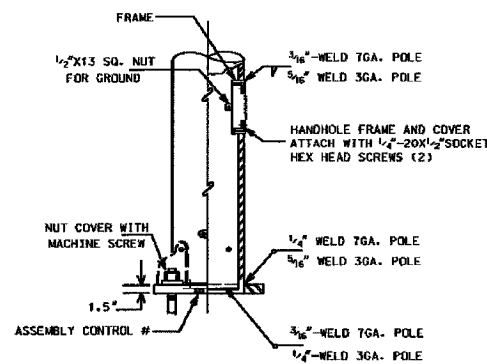
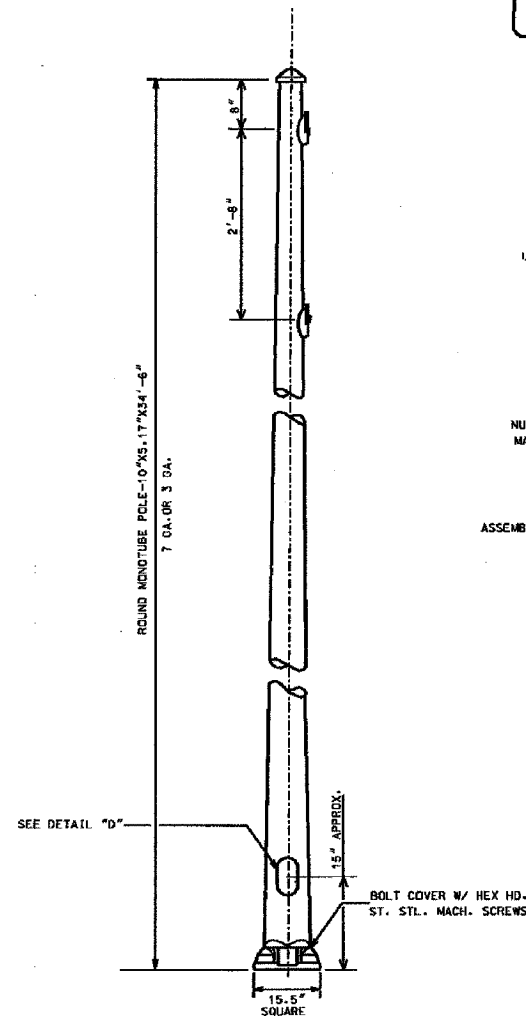
3/8"-16NCX1" LONG SET SCREWS (3@120°)  
POLE CAP  
FOR DETAILS SEE DRG.# 11420-A



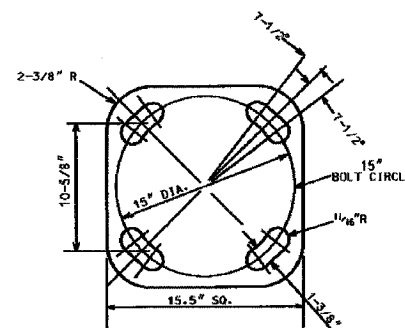
SECTION AT POLE PLATE



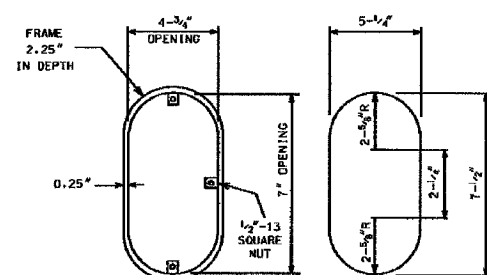
2 BOLT MAST ARM ATTACHMENT  
FOR DETAILS SEE DRG.# 659 MATERIAL: CAST STEEL



DETAIL "D"



DETAIL "A"  
BOLT SLOTS



FRAME DOOR  
HANDHOLE DETAIL

5.17"x10.0" STEEL/34'-6" POLE 7 OR 3 GAUGE	
CITY OF CHICAGO DEPT. OF STREETS AND ENGINEERING BUREAU OF ELECTRICITY DIVISION OF ELECTRICAL ENGINEERING	
DRAWN BY: ROBERT IVY	ENGINEER: RON POOL
SUPERVISING ENGINEER: ROBERT CARTER	ELEC. DESIGN ENGR.
ENGINEER OF ELECTRICITY: [Signature]	DWG. NO. 808
DEPT. Supt. of Electricity: [Signature]	10-03-01
DEPUTY COMMISSIONER: [Signature]	

BOE-11

REVISIONS	
NAME	DATE

ILLINOIS DEPARTMENT OF TRANSPORTATION  
F.A.I. 90/94 (DAN RYAN EXPRESSWAY)  
TRAFFIC SIGNALS AT 59TH STREET AND  
WENTWORTH AVENUE / WELLS STREET  
BOE STANDARD DETAILS

SCALE: NOT TO SCALE DRAWN BY: HAR  
DATE: November 12, 2004 CHECKED BY: WDS