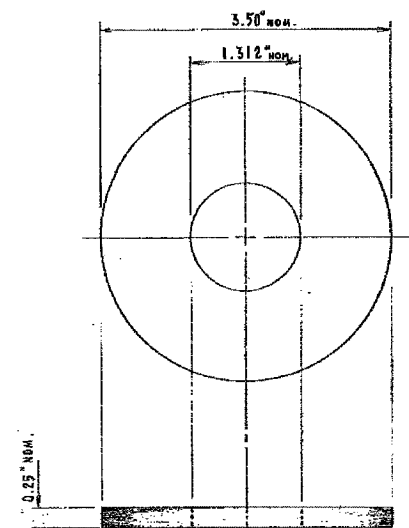
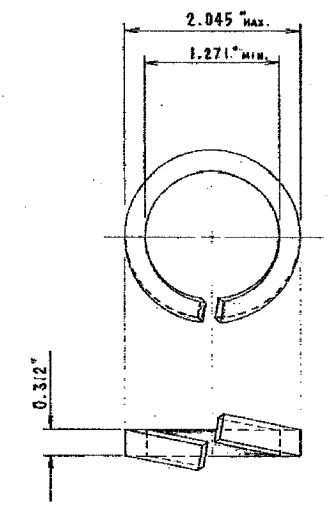


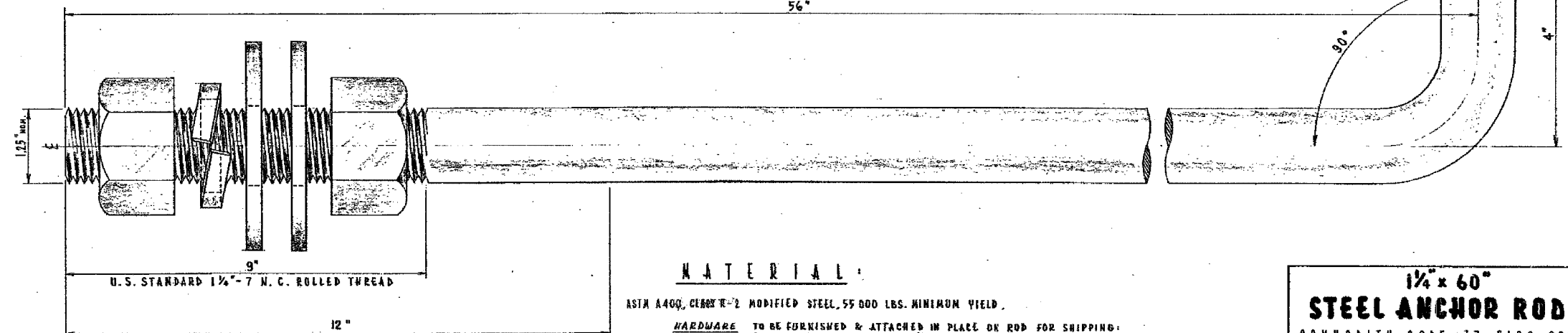
HEXAGON NUT
 AMER. NAT'L. STD. HEAVY HEX. FLAT NUT
 (ANSI B 18.2.2 - 1972)



FLAT WASHER
 AMER. NAT'L. STD. TYPE "B" SERIES "W"
 (ANSI B 18.22.1-1965, R1975)



LOCK WASHER
 AMER. NAT'L. STD. HELICAL SPRING LOCK WASHER
 (ANSI B 18.21.1 - 1972)



U.S. STANDARD 1 1/4" - 7 N. C. ROLLED THREAD

A ZINC COATING, 0.0021 INCH IN THICKNESS SHALL BE APPLIED OVER THIS LENGTH AND COVERED WITH HEAVY NO-OX-ID, OR EQUAL, RUST INHIBITING COMPOUND

MATERIAL:

ASTM A400, CLASS "2" MODIFIED STEEL, 55 000 LBS. MINIMUM YIELD.
HARDWARE TO BE FURNISHED & ATTACHED IN PLACE ON ROD FOR SHIPPING:
 2 HEX. NUTS, HEAVY, GALV., 1 1/4"
 2 WASHERS, STEEL, ROUND, GALV., TYPE "B", SERIES "W", 1 1/4"
 1 WASHER, LOCK, STEEL, GALV., HELICAL SPRING, REGULAR, 1 1/4"
 BOLT & NUTS SHALL HAVE AN AMERICAN STANDARD CLASS 2 OR 3 FIT. (NUT IS TAPPED OVERSIZE BY 1/32")

1 1/4" x 60"
STEEL ANCHOR ROD
 COMMODITY CODE 37-8180-0236

REVISED	CITY OF CHICAGO DEPT. OF STREETS AND SANITATION BUREAU OF ELECTRICITY DIVISION OF ELECTRICAL ENGINEERING		
A	JULY 25, 1982	DRAWN EDGENE GERULIS	CHECKED J. BURKASZ
B		DESIGN ENGINEER	ENGINEER M. SHINE
C		DRG. NO.	811
D		DATE	11/09/2004
E		SCALE	DATE AUG. 2, 1982
F			
G			

REVISIONS	
NAME	DATE

ILLINOIS DEPARTMENT OF TRANSPORTATION
 F.A.I. 90/94 (DAN RYAN EXPRESSWAY)
 TRAFFIC SIGNALS AT 59TH STREET AND
 WENTWORTH AVENUE / WELLS STREET
BOE STANDARD DETAILS

SCALE: NOT TO SCALE
 DATE: November 12, 2004
 DRAWN BY: HAR
 CHECKED BY: WDS

11/09/2004 11:03:49 AM