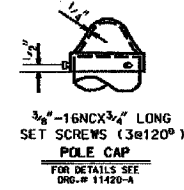
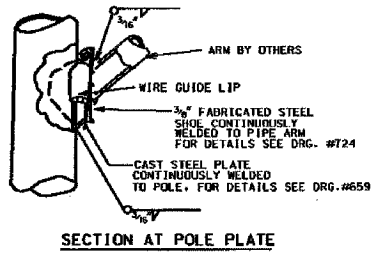
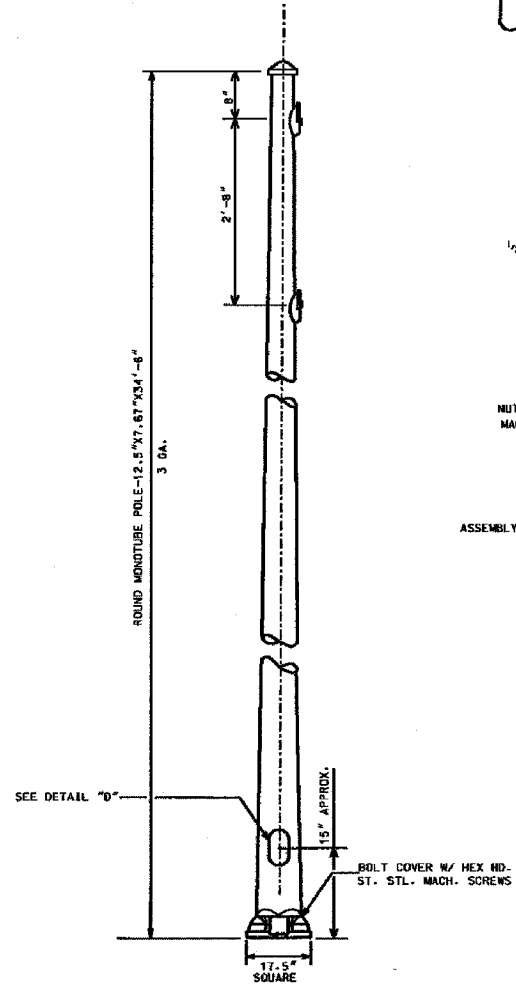


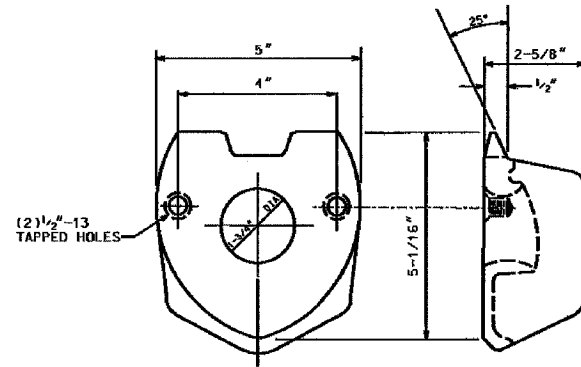
F.A.I. RTE.	SECTION	COUNTY	TOTAL SHEETS	SHEET NO.
90/94	2004-09BTS	COOK	63	44
STA.	TO STA.			
FED. ROAD DIST. NO. 1 ILLINOIS FED. AID PROJECT				
62839				



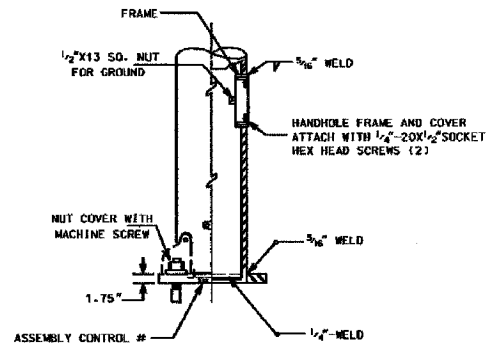
3/8"-16NCx3/4" LONG SET SCREWS (3@120°)
POLE CAP
FOR DETAILS SEE DRG. # 11420-A



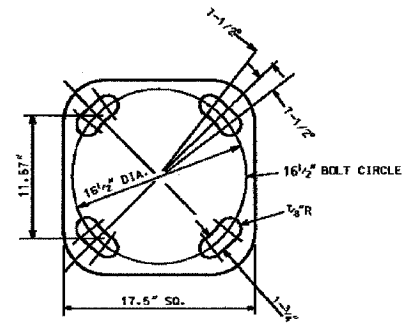
SECTION AT POLE PLATE



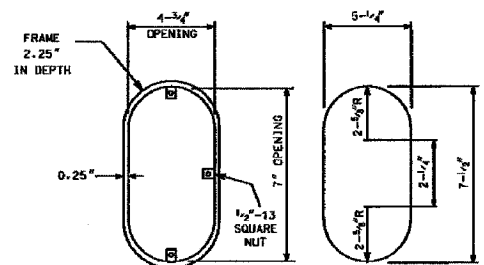
2 BOLT MAST ARM ATTACHMENT
FOR DETAILS SEE DRG. # 659 MATERIAL: CAST STEEL



DETAIL "D"



DETAIL "A"
BOLT SLOTS



FRAME DOOR
HANDHOLE DETAIL

7.67"x12.5" STEEL/34'-6" POLE
3 GAUGE

CITY OF CHICAGO DEPT. OF STREETS AND SANITATION BUREAU OF ELECTRICITY DIVISION OF ELECTRICAL ENGINEERING		
DRAFTSMAN ROBERT IVY	CHIEF DRAFTSMAN ROBERT CARTER	ENGINEER RON POOL
SUPERVISING ENGINEER	ELEC. DESIGN ENGR.	DWG. NO.
ENGINEER OF ELECTRICITY		827
GEN'L. S'PT. OF ELECTRICITY		
DEPUTY COMMISSIONER		
		10-03-01

BOE-18

REVISIONS	NAME	DATE

ILLINOIS DEPARTMENT OF TRANSPORTATION
F.A.I. 90/94 (DAN RYAN EXPRESSWAY)
TRAFFIC SIGNALS AT 59TH STREET AND
WENTWORTH AVENUE / WELLS STREET

BOE STANDARD DETAILS

SCALE: NOT TO SCALE DRAWN BY: HAR
DATE: November 12, 2004 CHECKED BY: WDS

m:\p\0406\elec\14-cmr\9\sh\contract 3c7\060307182a.dwg