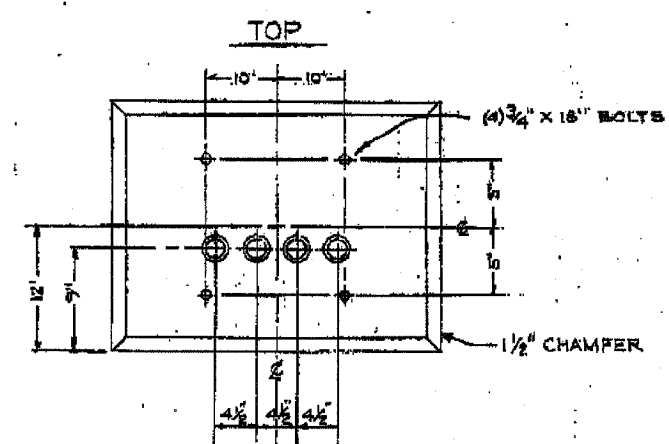
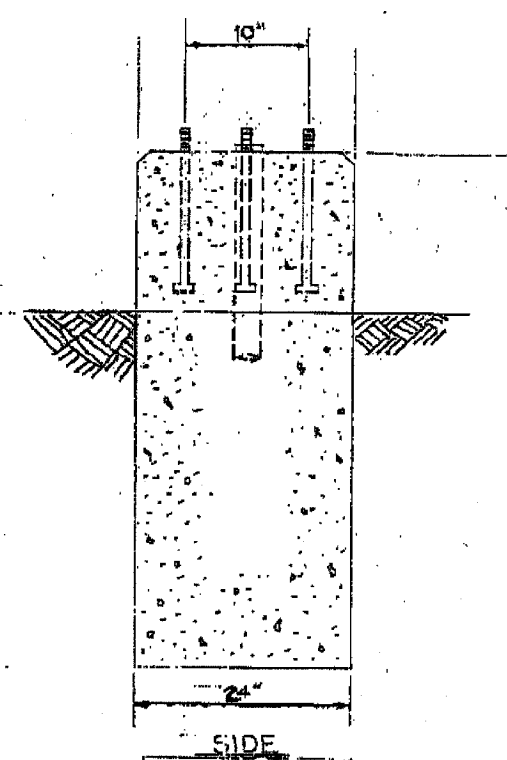
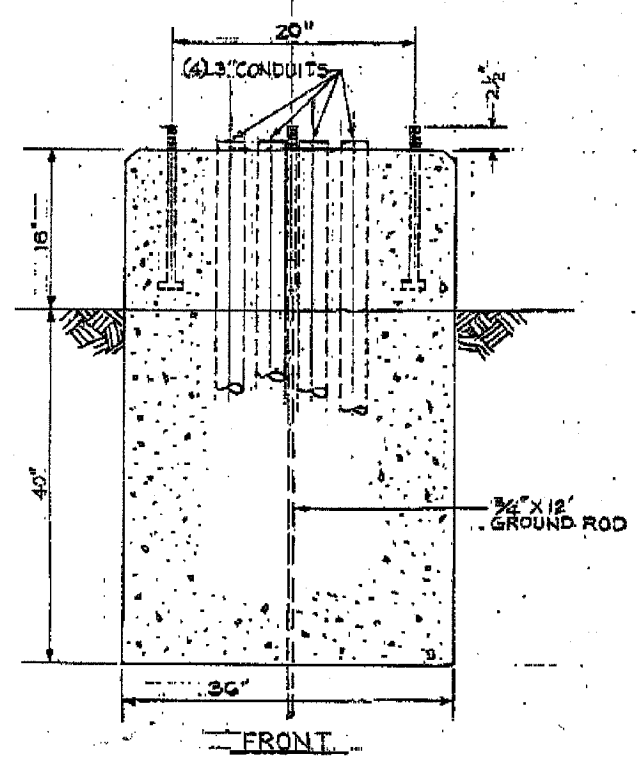


F.A.I. RTE.	SECTION	COUNTY	TOTAL SHEETS	SHEET NO.
90/94	2004-098TS	COOK	63	60
STA.	TO STA.			
FED. ROAD DIST. NO. 1 ILLINOIS FED. AID PROJECT				
62839				



DIMENSIONS FOR LOCATION OF ANCHOR BOLTS TO BE STRICTLY ADHERED TO.



REVISED	CITY OF CHICAGO DEPT. OF STREETS AND SANITATION BUREAU OF ELECTRICITY DIVISION OF ELECTRICAL ENGINEERING		
A	R.L.J.	B. CARTER	W. TRUMPKA
B			
C			
D			
E			
F			
G	17 x 21	SCALE: 1/4"	DATE

REVISIONS	
NAME	DATE

BOE-42A

ILLINOIS DEPARTMENT OF TRANSPORTATION
F.A.I. 90/94 (DAN RYAN EXPRESSWAY)
TRAFFIC SIGNALS AT 59TH STREET AND
WENTWORTH AVENUE / WELLS STREET

BOE STANDARD DETAILS

SCALE: NOT TO SCALE
DATE: November 12, 2004

DRAWN BY: HAR
CHECKED BY: WDS

CTE ENGINEERS
CONSOER TOWNSEND ENVIRODYNE ENGINEERS, INC.
303 EAST WACKER DRIVE, SUITE 600
CHICAGO, ILLINOIS 60601-5202, PHONE: (312) 938-0300

MAP-40468/E/1601-V-F-CHT-19-SP/CONT/RACT 92780E/036/4202A/017 11/29/2004 11:54:17 AM