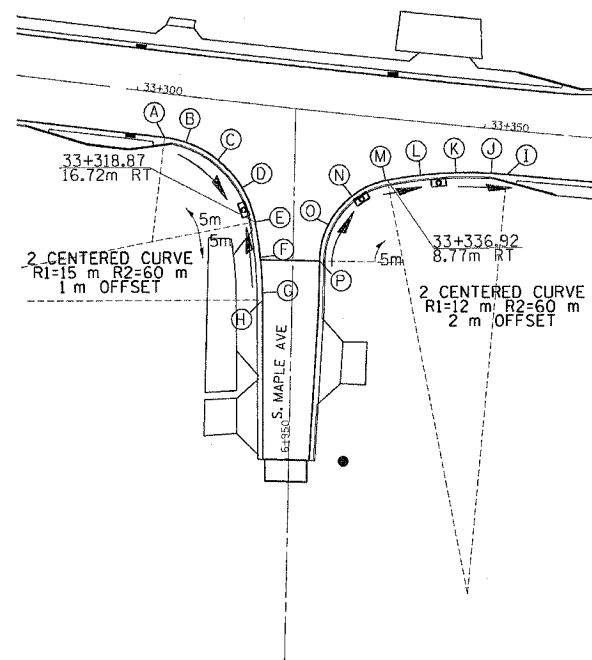
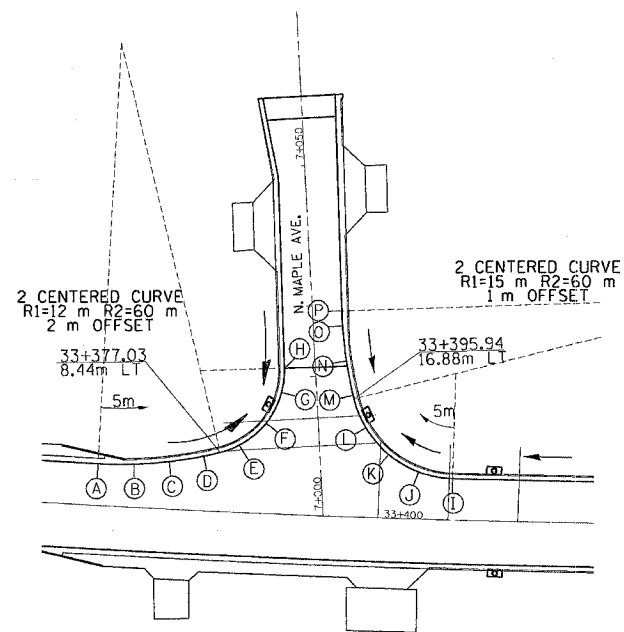


# PAVEMENT ELEVATIONS

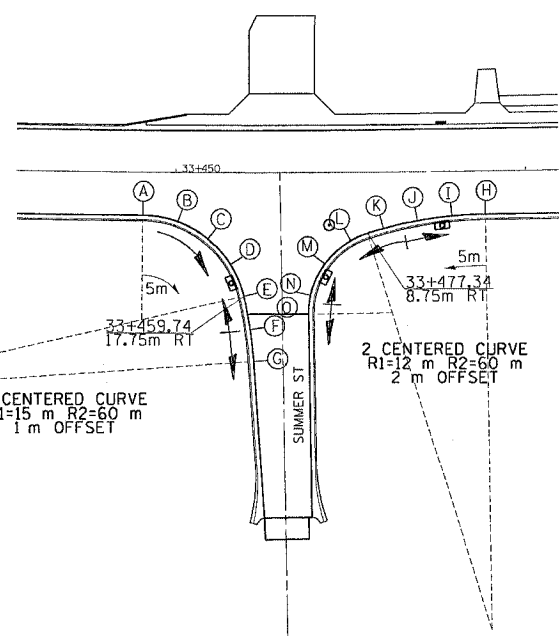
F.A.R. RTE.	SECTION	COUNTY	TOTAL SHEETS	SHEET NO.
742	37R-2	OGLE	389	84
STA.		TO STA.		
FED. ROAD DIST. NO.		ILLINOIS	FED. AID PROJECT	
CONTRACT #64157				



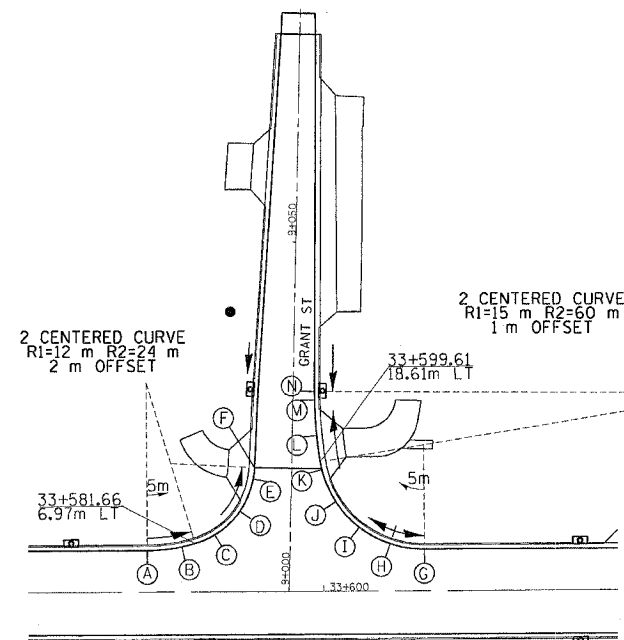
	STATION	OFFSET	ELEVATION
A	33+304.71	-6.25	220.61
B	33+307.79	6.58	220.57
C	33+312.63	8.55	220.45
D	33+316.48	12.09	220.40
E	6+983.69	-5.51	220.43
F	6+978.70	-4.66	220.48
G	6+973.65	-4.23	220.54
H	6+972.57	-4.20	220.58
I	33+353.77	6.25	220.35
J	33+351.57	6.29	220.36
K	33+346.54	6.71	220.39
L	33+341.57	7.56	220.40
M	33+336.68	8.84	220.41
N	6+987.66	8.28	220.42
O	6+983.50	4.99	220.46
P	6+978.33	3.82	220.51



	STATION	OFFSET	ELEVATION
A	33+359.59	5.95	220.40
B	33+364.78	6.17	220.37
C	33+369.78	6.79	220.32
D	33+374.70	7.81	220.18
E	33+379.72	9.58	220.10
F	7+013.66	7.45	220.07
G	7+017.93	5.01	220.12
H	7+021.37	4.43	220.15
I	33+410.52	5.95	220.08
J	33+405.60	6.77	220.07
K	33+401.20	9.14	220.03
L	7+012.25	6.76	220.05
M	7+016.97	5.18	220.08
N	7+021.92	4.48	220.17
O	7+026.91	4.20	220.26
P	7+029.05	4.21	220.29



	STATION	OFFSET	ELEVATION
A	33+445.30	6.24	219.77
B	33+450.30	7.11	219.72
C	33+454.58	9.52	219.60
D	33+457.82	13.16	219.49
E	7+982.34	-5.46	219.49
F	7+977.51	-4.63	219.47
G	7+972.87	-4.21	219.45
H	33+494.19	6.24	219.46
I	33+489.41	6.44	219.48
J	33+484.47	7.06	219.50
K	33+479.61	8.11	219.50
L	7+990.08	9.99	219.47
M	7+986.84	6.23	219.45
N	7+982.31	4.09	219.48
O	7+979.56	3.11	219.46



	STATION	OFFSET	ELEVATION
A	33+574.81	-5.97	218.83
B	33+579.77	-6.49	218.77
C	33+584.44	-8.20	218.56
D	9+011.40	-7.28	218.39
E	9+016.02	-5.45	218.34
F	9+017.69	-5.29	218.32
G	33+614.42	-5.97	218.46
H	33+609.51	-6.79	218.48
I	33+605.15	-9.18	218.43
J	9+013.03	6.42	218.39
K	9+017.56	4.34	218.36
L	9+022.48	3.50	218.32
M	9+027.44	3.11	218.30
N	9+028.72	3.07	218.31

# PAVEMENT ELEVATIONS

Pn Aug 27 10:30 AM 2004  
 PROJECT: ILLINOIS STATE ROAD DISTRICT NO. 742  
 SHEET NO. 84  
 CONTRACT NO. 64157  
 DRAWING NO. 37R-2  
 TITLE: PAVEMENT ELEVATIONS  
 DRAWN BY: [Name]  
 CHECKED BY: [Name]  
 APPROVED BY: [Name]