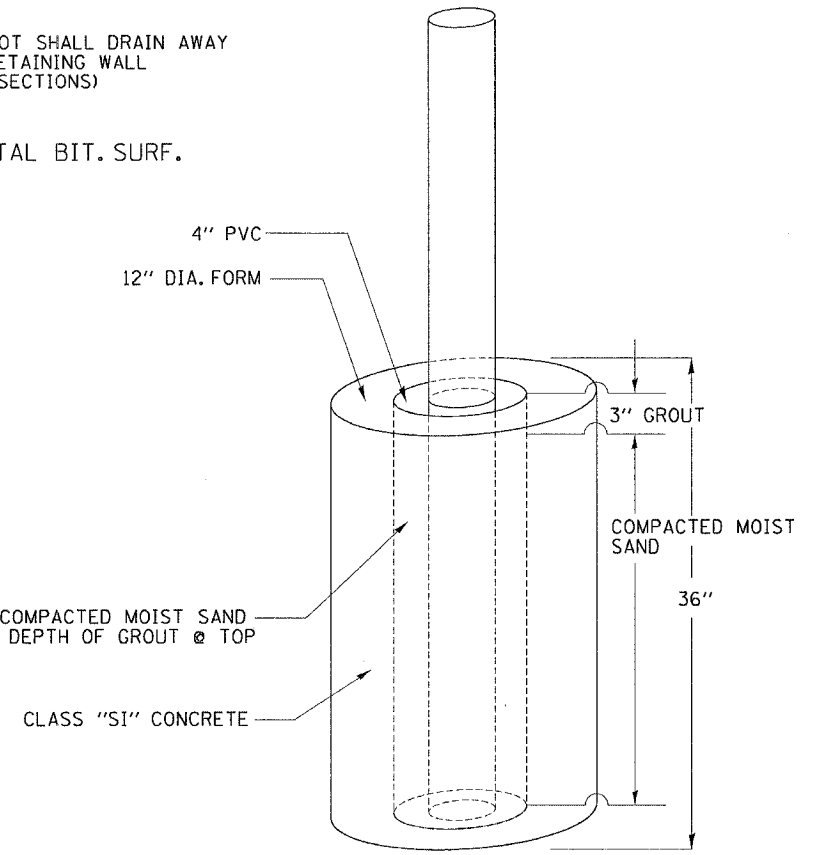
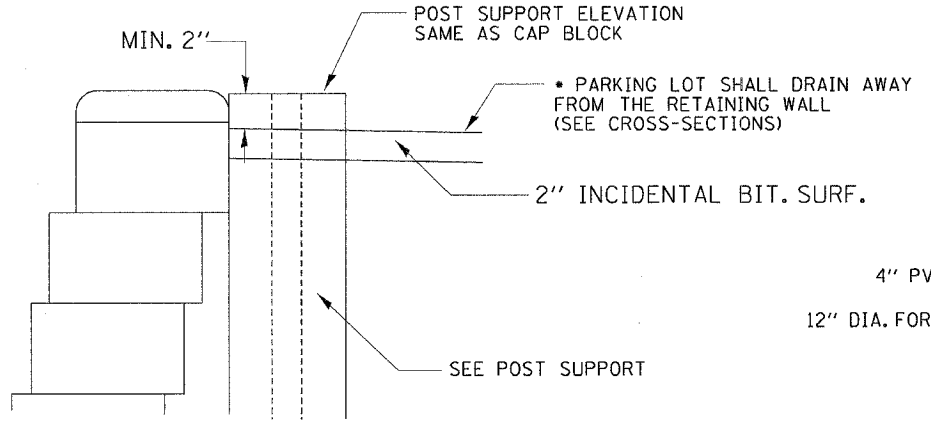
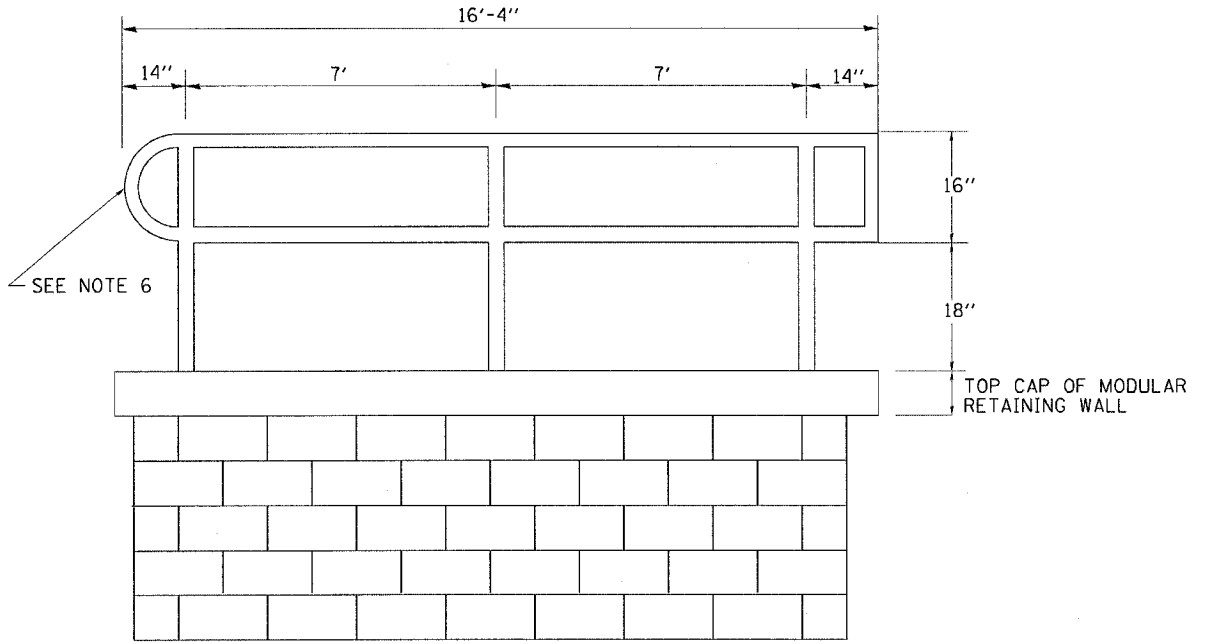
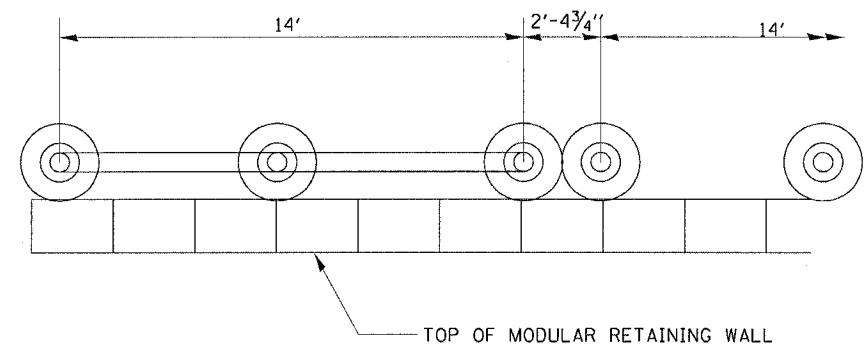


F.A.P. RTE.	SECTION	COUNTY	TOTAL SHEETS	SHEET NO.
742	37R-2	OGLE	389	140A
STA.		TO STA.		
FED. ROAD DIST. NO.	ILLINOIS	FED. AID PROJECT		CONTRACT #64157

PIPE HANDRAIL



POST SUPPORT



TOP VIEW

HANDRAIL NOTES

1. PIPE HANDRAIL SHALL CONFORM TO ARTICLE 510 WITH THE EXCEPTION THAT ALL PIPE AND CONNECTIONS SHALL BE WELDED ALUMINUM ACCORDING TO ARTICLE 1006.27 AND 1006.30
2. HANDRAILS SHALL BE ALONG MODULAR RETAINING WALL.
3. GRIPPING SURFACES SHALL BE UNINTERRUPTED BY POSTS, OTHER CONSTRUCTION ELEMENTS, OR OBSTRUCTIONS.
4. TOP OF HANDRAIL GRIPPING SURFACES SHALL BE MOUNTED BETWEEN (34" & 38") ABOVE SIDEWALK.
5. ON GRADES OVER 2% PIPE HANDRAILS SHALL BE FABRICATED SO THAT POSTS WILL BE VERTICAL WHEN ERECTED.
6. ENDS OF HANDRAIL SHALL BE EITHER ROUNDED OR RETURNED SMOOTHLY TO THE FLOOR, WALL, OR POST.
7. HANDRAILS SHALL NOT ROTATE IN THEIR FITTING.
8. ALL HANDRAIL DIMENSIONS SHALL BE VERIFIED BY CONTRACTOR AND APPROVED BY A STRUCTURE ENGINEER PRIOR TO THE FABRICATION OF PIPE HANDRAIL.
9. DIMENSION SHALL VARY DEPENDING ON WHICH TYPE OF BLOCK IS USED.
10. THE PVC PIPE SHALL BE FILLED AND COMPACTED PRIOR TO INSTALLATION OF PIPE HANDRAIL.