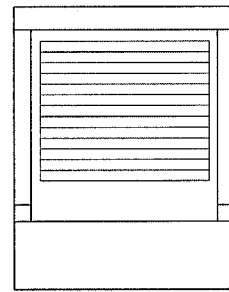
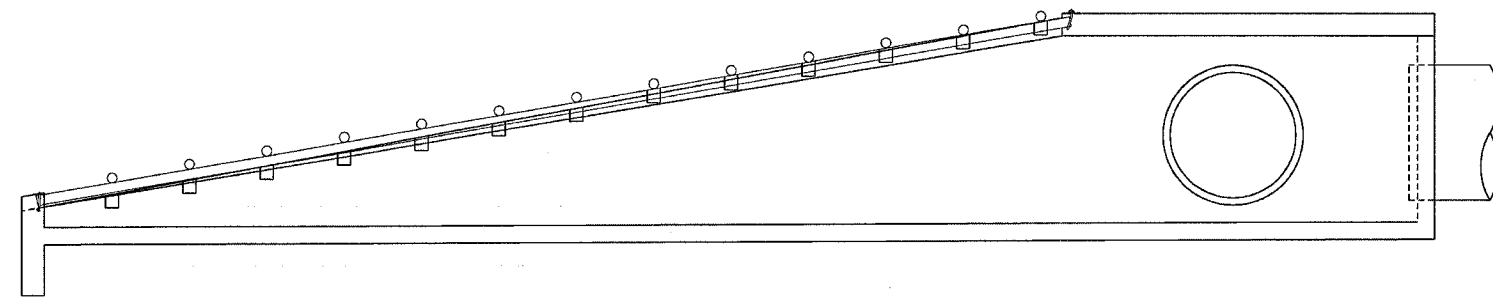


# Inlet Special No. 1

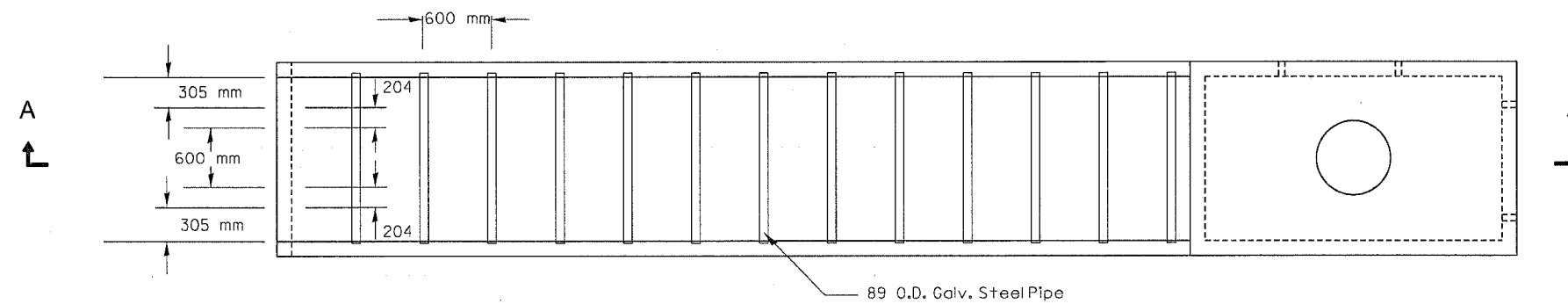
F.A.P. RTE.	SECTION	COUNTY	TOTAL SHEETS	SHEET NO.
742	37R-2	OGLE	389	142
STA.	TO STA.			
FED. ROAD DIST. NO.	ILLINOIS	FED. AID PROJECT		
CONTRACT #64157				



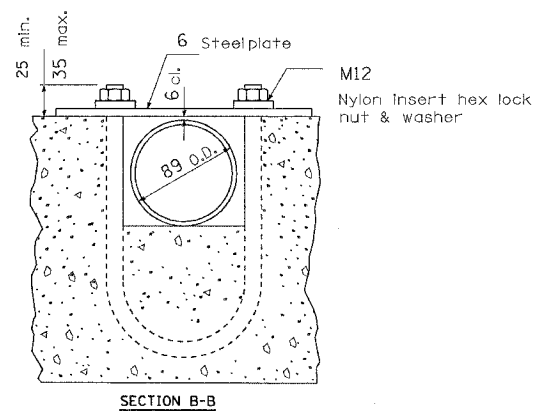
FRONT VIEW



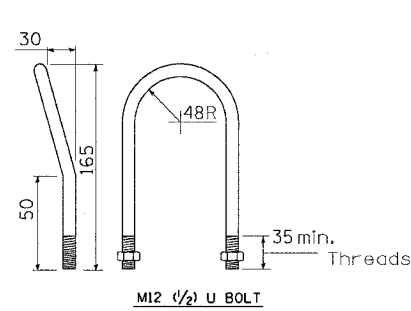
SECTION A-A



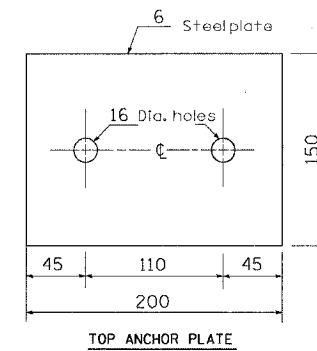
TOP VIEW



SECTION B-B



M12 1/2 U BOLT



TOP ANCHOR PLATE

REVISIONS	
NAME	DATE

ILLINOIS DEPARTMENT OF TRANSPORTATION

SCALE: VERT.  
HORIZ.  
DATE

DRAWN BY  
CHECKED BY

## Inlet Special No. 1

\*DATE-TIME\*  
\*CON-SPEC\*  
\*REF\*  
\*REF\*  
\*REF\*