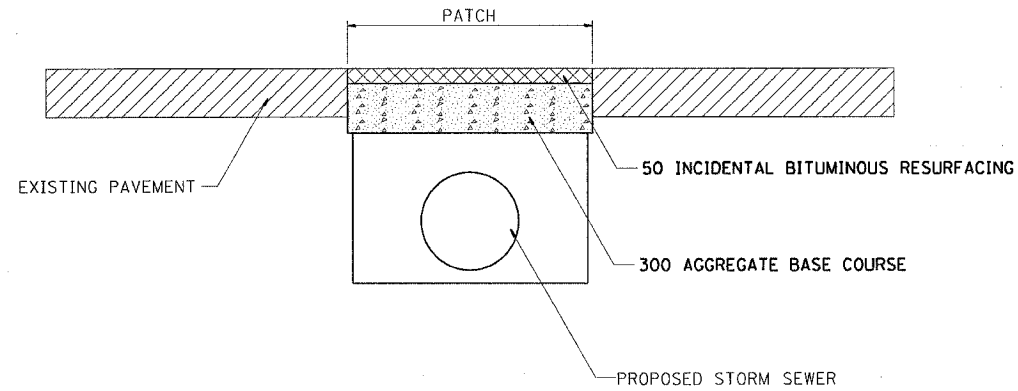


### PAVEMENT PATCHING SPECIAL



**NOTES:**

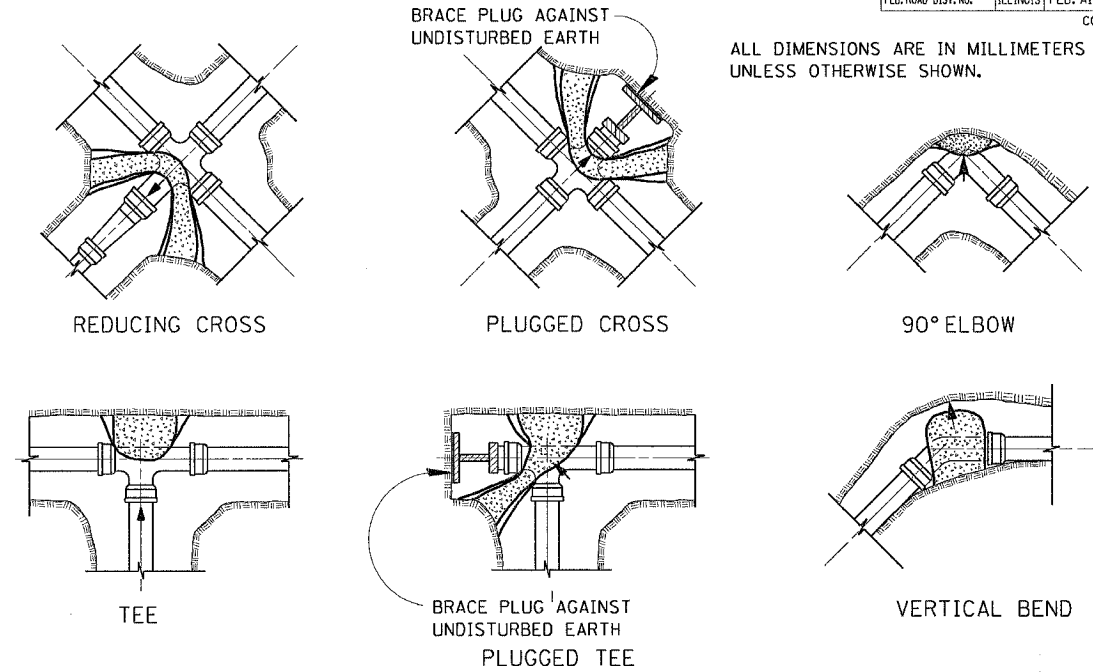
This work will be paid for at the contract unit price per 50 METER for PAVEMENT PATCHING SPECIAL

ALL DIMENSIONS ARE IN MILLIMETERS UNLESS OTHERWISE NOTED.

### THRUST BLOCK DETAILS

F.A.P. RTE.	SECTION	COUNTY	TOTAL SHEETS	SHEET NO.
742	37R-2	OGLE	389	144
STA.	TO STA.		FED. ROAD DIST. NO.	
	ILLINOIS		FED. AID PROJECT	
CONTRACT #64157				

ALL DIMENSIONS ARE IN MILLIMETERS (INCHES) UNLESS OTHERWISE SHOWN.



**NOTES:**

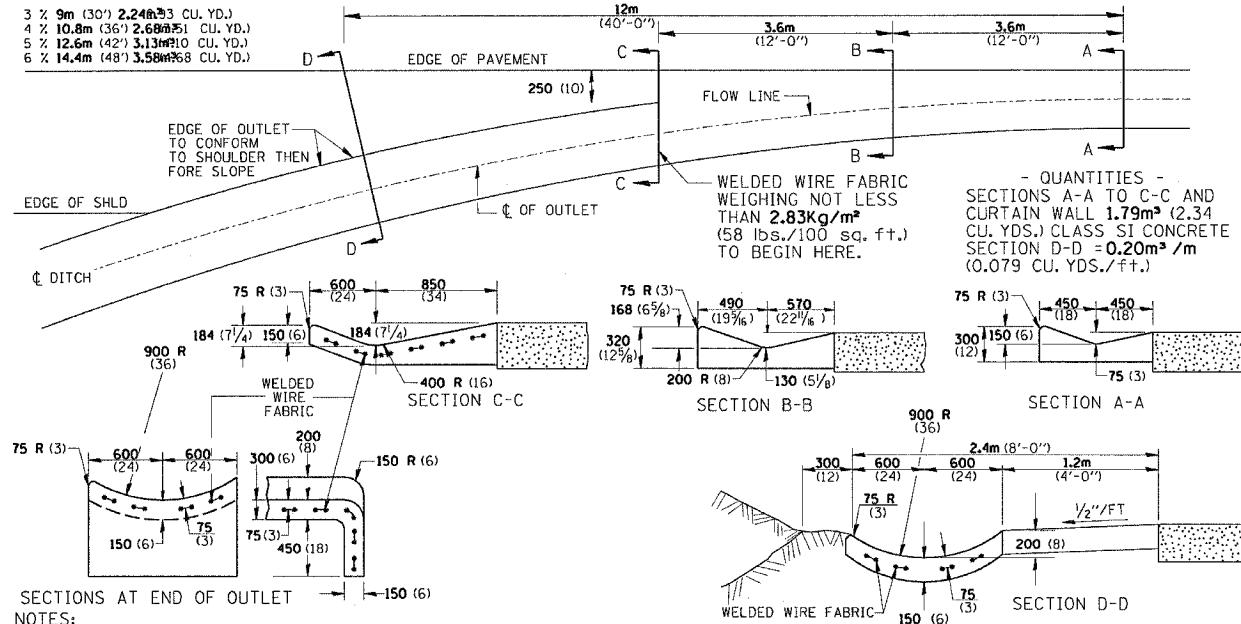
ALL BLOCKS TO BEAR AGAINST UNDISTURBED EARTH. ARROWS INDICATE DIRECTION OF THRUST. ALL BLOCKS TO BE CLASS SI CONCRETE. ALL FITTINGS SHOWN IN PLAN EXCEPT VERTICAL BEND.

**34.4**

### GUTTER OUTLET ADJACENT TO PAVEMENT

NOTE: IF THE AVERAGE GRADE OF PAVEMENT FOR THE DISTANCE A-C EXCEEDS 2%, THIS DISTANCE SHALL BE INCREASED 1.0m (6') FOR EACH 1% INCREASE IN GRADE.

- 3 % 9m (30') 2.24m³ (3 CU. YD.)
- 4 % 10.8m (36') 2.68m³ (5 CU. YD.)
- 5 % 12.6m (42') 3.13m³ (10 CU. YD.)
- 6 % 14.4m (48') 3.58m³ (13 CU. YD.)



SECTIONS AT END OF OUTLET

NOTES:  
CLASS SI CONCRETE SHALL BE USED THROUGHOUT.  
THE GUTTER OUTLET WILL BE PAID FOR AT THE CONTRACT UNIT PRICE PER m³ FOR CLASS SI CONCRETE (OUTLETS), WHICH PRICE SHALL INCLUDE THE COST OF THE WELDED WIRE FABRIC REINFORCEMENT

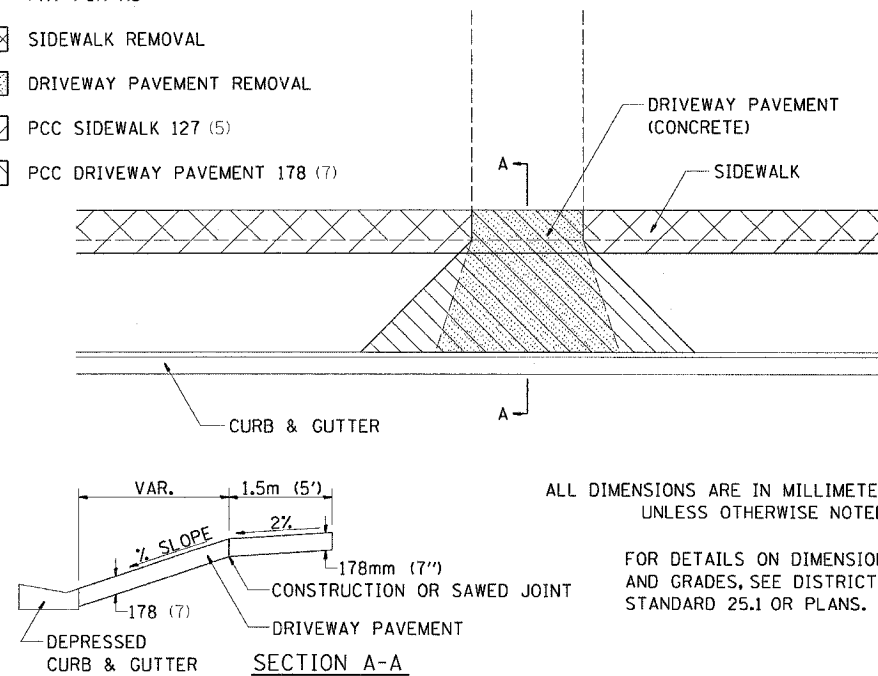
ALL DIMENSIONS ARE IN MILLIMETERS (INCHES) UNLESS OTHERWISE NOTED.

15.4A

### SIDEWALK AND DRIVEWAY PAVEMENT PAY AREAS

**PAY FOR AS**

- SIDEWALK REMOVAL
- DRIVEWAY PAVEMENT REMOVAL
- PCC SIDEWALK 127 (5)
- PCC DRIVEWAY PAVEMENT 178 (7)



ALL DIMENSIONS ARE IN MILLIMETERS (INCHES) UNLESS OTHERWISE NOTED.

FOR DETAILS ON DIMENSIONS AND GRADES, SEE DISTRICT STANDARD 25.1 OR PLANS.

**35.4**