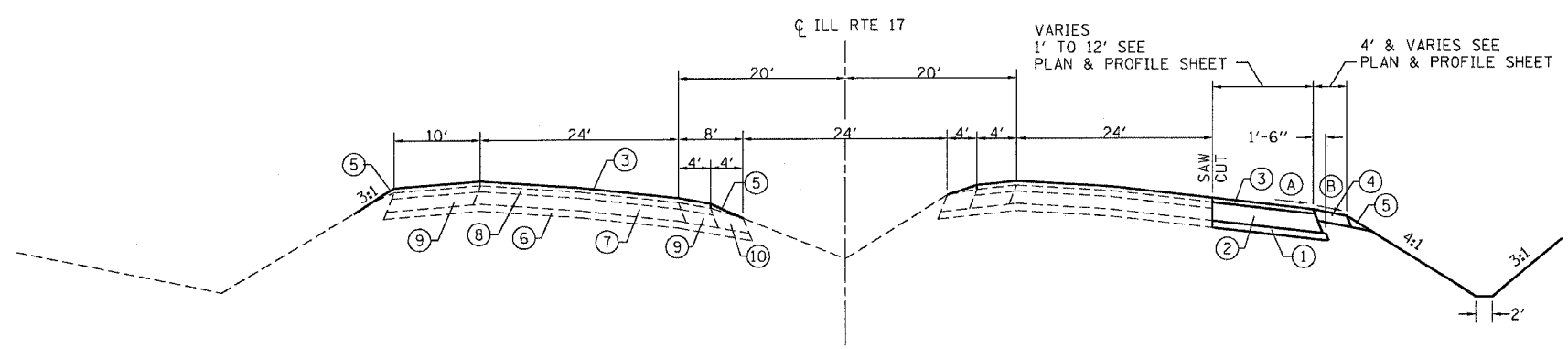
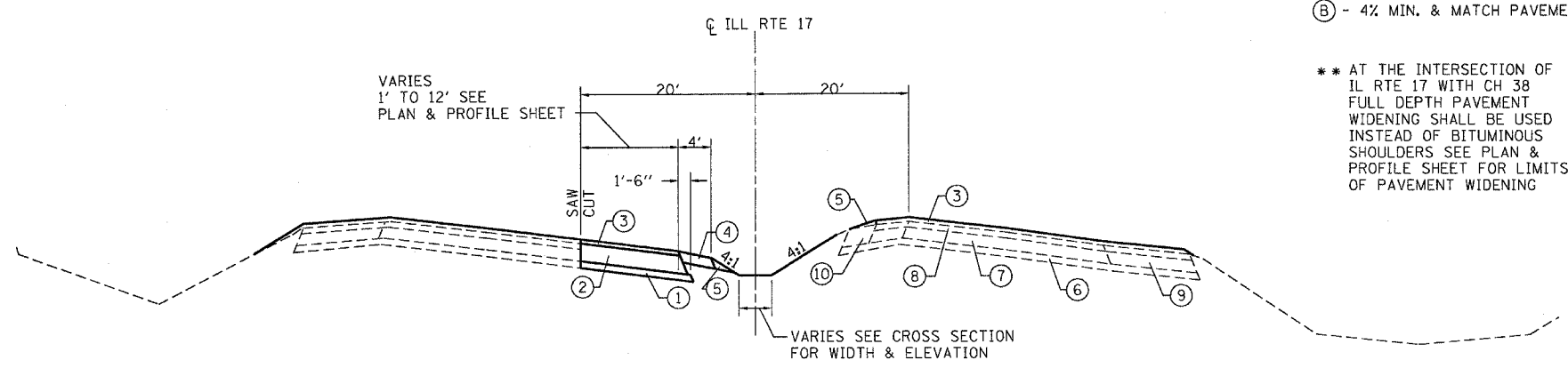


CONTRACT NO. 66416

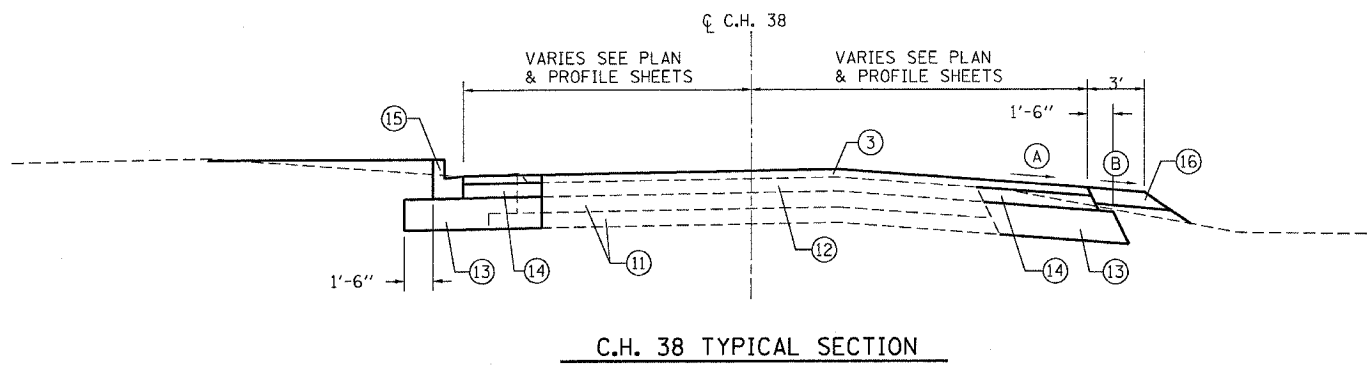


TYPICAL SECTION ILL RTE 17 STA. 51+96.34 TO STA. 57+96.92 *



TYPICAL SECTION ILL RTE 17 STA. 59+00 TO STA. 65+50 *

* TYPICAL SECTIONS THRU INTERSECTION SIMILAR



C.H. 38 TYPICAL SECTION

- (A) - MATCH EXISTING
- (B) - 4% MIN. & MATCH PAVEMENT

** AT THE INTERSECTION OF ILL RTE 17 WITH CH 38 FULL DEPTH PAVEMENT WIDENING SHALL BE USED INSTEAD OF BITUMINOUS SHOULDERS SEE PLAN & PROFILE SHEET FOR LIMITS OF PAVEMENT WIDENING

NOTE: PAVEMENT WIDENING MATERIALS FOR CH 38 SHALL BE AS SHOWN FROM STA. 1+21 TO STA. 2+37.26 FROM ILL RTE 17 TO STA. 1+21 THEY SHALL BE SAME AS FOR ILL RTE 17

- (1) STABILIZED SUB-BASE 4"
- (2) BITUMINOUS BASE COURSE SUPERPAVE 10 1/2"
- (3) BITUMINOUS CONCRETE SURFACE COURSE, SUPERPAVE, MIX "D", N70 1 1/2" OVER 1" OF LEVELING BINDER (MACHINE METHOD), SUPERPAVE N70
- ** (4) BITUMINOUS SHOULDERS SUPERPAVE 6"
- (5) AGGREGATE SHOULDERS, TYPE B
- (6) EXISTING STABILIZED SUB-BASE 4"
- (7) EXISTING PCC PAVEMENT 7"
- (8) EXISTING BITUMINOUS OVERLAY 3 1/2"
- (9) EXISTING STABILIZED BAM SHOULDER
- (10) EXISTING AGGREGATE SHOULDER
- (11) EXISTING AGGREGATE SUB-BASE AND BASE COURSE MATERIAL
- (12) EXISTING BITUMINOUS OVERLAY 5 1/2"
- (13) SUB-BASE GRANULAR MATERIAL, TYPE A 12"
- (14) BITUMINOUS BASE COURSE SUPERPAVE 5 1/2"
- (15) COMBINATION CONCRETE CURB & GUTTER TYPE B-6.12
- (16) AGGREGATE SHOULDERS TYPE A 6"

	SUPERPAVE BINDER	SUPERPAVE SURFACE	SUPERPAVE LEVEL BINDER	SUPERPAVE BASE COURSE
PG GRADE	PG64-22	PG64-22	PG64-22	PG64-22
MAX % RAP ALLOWABLE**	15%	10%	15%	25%
DESIGN AIR VOIDS	4.0% @ N70	4.0% @ N70	4.0% @ N70	2.0% @ N50
MIXTURE COMPOSITION	IL 19.0	IL 12.5 OR IL 9.5	IL 9.5	BAM
FRICTION AGGREGATE		MIXTURE D		
PLANT CONTROL LIMITS	CLASS I	CLASS I	CLASS I	NON-CLASS I
DENSITY CONTROL METHOD	CORES	CORES		% GROWTH CURVE

** IF RAP OPTION IS SELECTED, THE ASPHALT CEMENT GRADE MAY NEED TO BE ADJUSTED. THIS WILL BE DETERMINED BY THE ENGINEER.

ILL ROUTE 17
AND CH 38 / LOWE ROAD
TYPICAL SECTIONS & NOTES
FAP ROUTE 330, FAU ROUTE 6209
SEC. NO. (1)RTS
KANKAKEE COUNTY