

F.A.P. RTE.	SECTION	COUNTY	TOTAL SHEETS	SHEET NO.
330	(1R)TS	KANKAKEE	22	15
FED. ROAD DIST. NO. 7 ILLINOIS FED. AID PROJECT				

CONTRACT NO. 66416

DETECTOR LOOP SYSTEM	LOCATION	TURNS PER LOOP	INDUCTANCE READING (MICROHENRIES)	FREQUENCY (HERTZ)	J PIN STATUS
A	WB FAR	6	449	28,803	ON
B	WB STBR RL	4	274	36,871	OFF
C	WB STBR LL	4	277	36,671	OFF
D	WBLT	4	803	21,538	ON
E	NB RT	4	399	30,555	OFF
F	NB	4	563	25,722	ON
G	EB FAR	6	689	23,252	ON
H	EB STBR RL	4	327	33,751	OFF
I	EB STBR LL	4	330	33,597	OFF

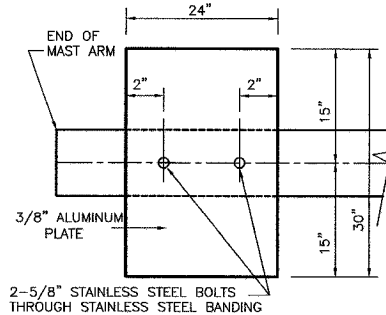
J PIN STATUS: "ON" MEANS STANDARD DETECTOR SETUP. "OFF" MEANS J WIRE HAS BEEN DISCONNECTED. BUT INTACT, AT THE HARNESS PANEL WITH THE NECESSARY SPADE CONNECTION ATTACHED, MARKED, AND INSULATED.

STREET NAME	COMPONENT	NUMBER	WATTAGE EACH	BURNTIME %
IL. RTE. 17	RED	7	10	45
	YELLOW	7	19	5
	GREEN	7	14	50
	YELLOW ARROW-LT.	2	9	5
	GREEN ARROW-LT.	2	3.4	15
	YELLOW ARROW-RT.	2	3.4	5
LOWE ROAD	RED	3	10	62
	YELLOW	3	19	5
	GREEN	3	14	33
TRAFFIC SIGNAL CABINET	CONTROLLER	1	6	100
	VEHICLE DETECTORS	9	4	100
	BATTERY BACKUP			

AGENCY RESPONSIBLE FOR ENERGY CHARGES: CITY OF KANKAKEE

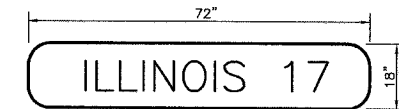
NOTE:

DAMPENING DEVICE SHALL CONSIST OF A 24" X 30" TYPE 1, UNPAINTED ALUMINUM SIGN STOCK MOUNTED HORIZONTALLY ON TOP OF MAST ARM WITH THE 30" LENGTH PERPENDICULAR TO THE ARM. COST OF THE DAMPENING DEVICE IS INCLUDED IN THE MAST ARM PAY ITEM.



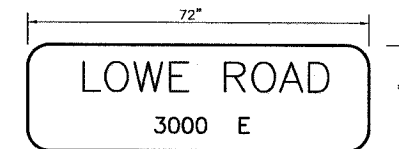
NOTE: MOUNT DAMPENING PLATE TO END OF EACH TRAFFIC SIGNAL MAST ARM.

DAMPENING PLATE DETAIL - TOP VIEW



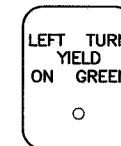
TYPE A SHEETING REQUIRED
8" D SERIES LETTERS
1 SIGN REQUIRED = 9.00 SQ. FT. EACH
= 9.00 SQ. FT. TOTAL

THIS STREET NAME SIGN SHALL BE PLACED ON THE MAST ARMS PARALLEL WITH ILLINOIS ROUTE 17



TYPE A SHEETING REQUIRED
8" D SERIES LETTERS
2 SIGNS REQUIRED = 15.00 SQ. FT. EACH
= 30.00 SQ. FT. TOTAL

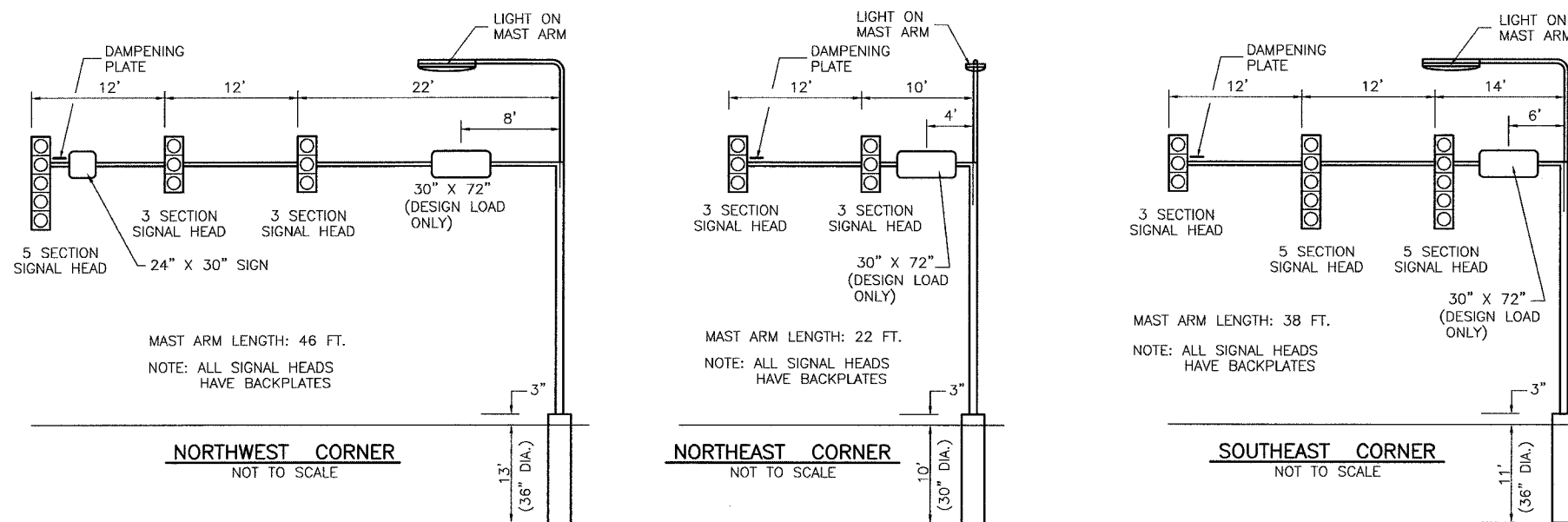
THIS STREET NAME SIGN SHALL BE PLACED ON THE MAST ARMS PARALLEL WITH LOWE ROAD



R10 - 12
24" X 30"

TYPE A SHEETING REQUIRED
2 SIGNS REQUIRED = 5 SQ.FT. EACH
= 10 SQ.FT. TOTAL

THIS SIGN SHALL BE LOCATED 6" TO 12" TO THE RIGHT OF EACH 5 SECTION MAST ARM MOUNTED LEFT TURN SIGNAL AND DIRECTLY BELOW AND PARALLEL TO THE BACKPLATE OF EACH POST BRACKETED 5 SECTION LEFT TURN SIGNAL.



MAST ARM LOADING DIAGRAM

DESIGNED	M.V.F.
CHECKED	J.L.S.
DRAWN	J.M.M.
CHECKED	M.V.F.

IL ROUTE 17
AND CH 38 / LOWE ROAD
TRAFFIC SIGNAL DETAILS
FAP ROUTE 330, FAU ROUTE 6209
SEC. NO. (1R)TS
KANKAKEE COUNTY