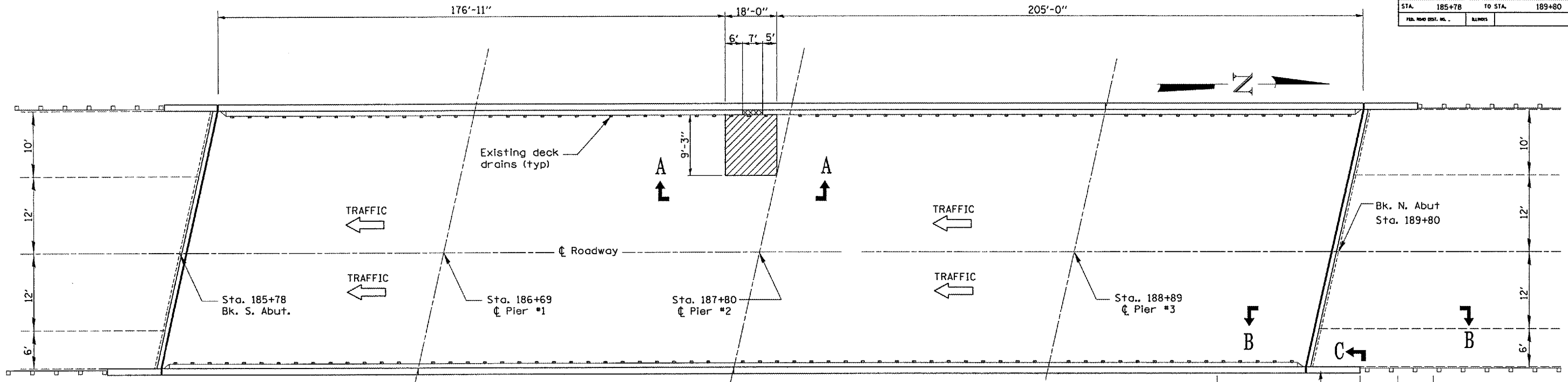
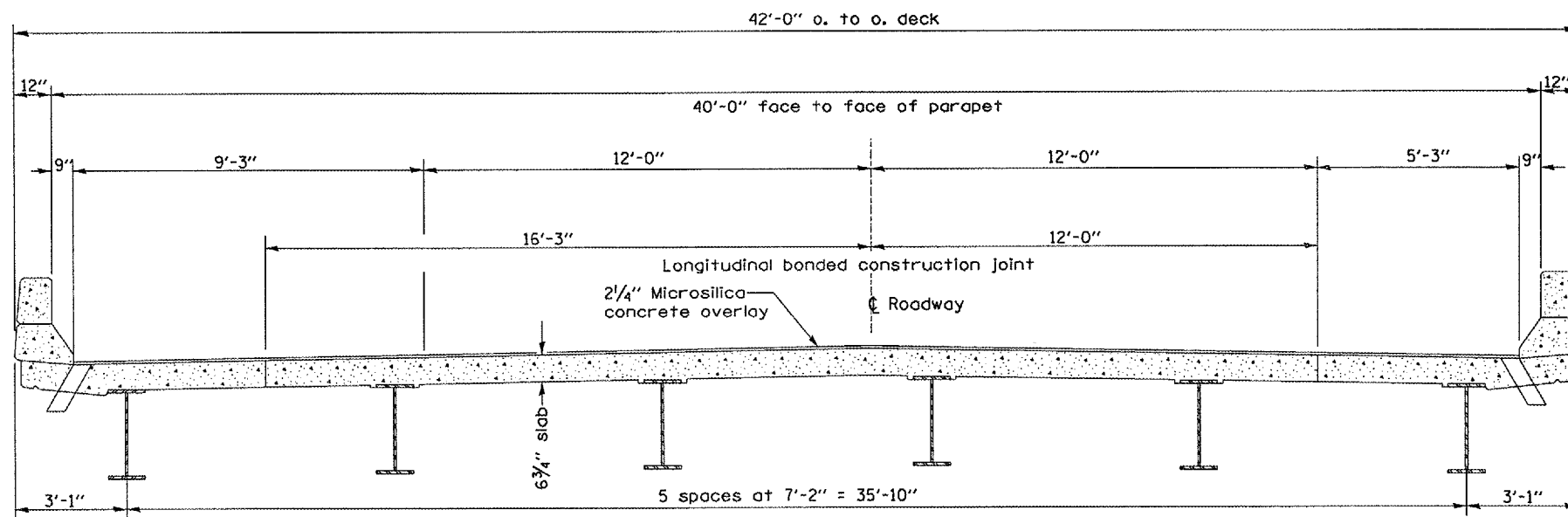
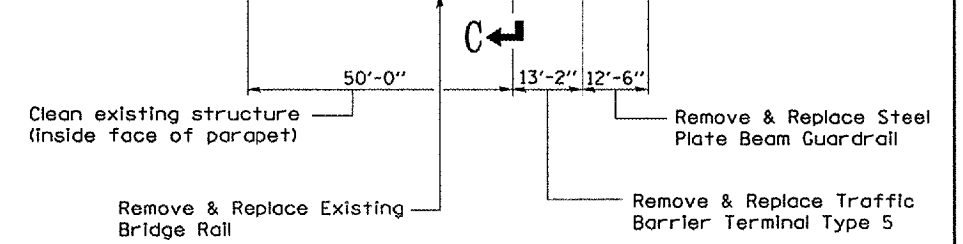


P. A. L. SHE.	SECTION	COUNTY	TOTAL SHEETS	SHEET NO.
55	153-5B-11I	LIVINGSTON	9	5
STA. 185+78		TO STA. 189+80		
FED. ROAD DIST. NO.		ILLINOIS		

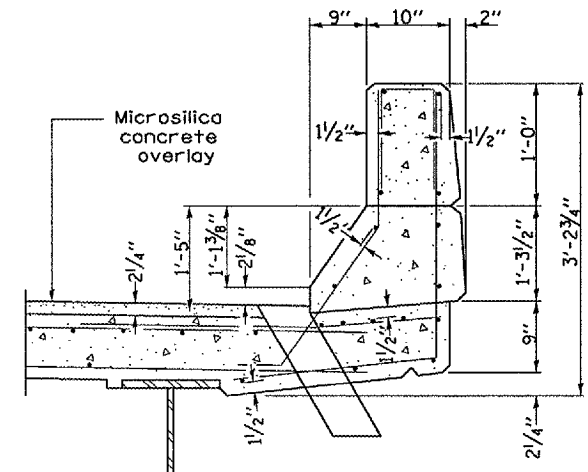


- DECK SLAB REPAIR (SPECIAL)**
- FORMED CONCRETE REPAIR, DEPTH =/ < 5"**

PLAN
S.N. 053-0128 SB



CROSS SECTION
SBL LOOKING NORTH



CURB SECTION

REVISIONS	
NAME	DATE

ILLINOIS DEPARTMENT OF TRANSPORTATION

**GENERAL PLAN
DETAILS**

S.N. 053-0128 SB

SCALE: VERT. _____
HORIZ. _____
DATE 08/31/04

DRAWN BY RLW
CHECKED BY _____

Date: 08/31/04
mchd05/053-0128/053-0128.dgn