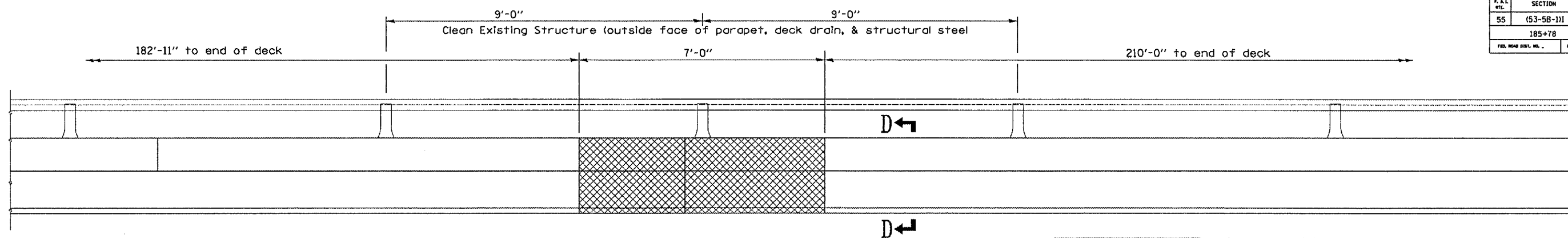
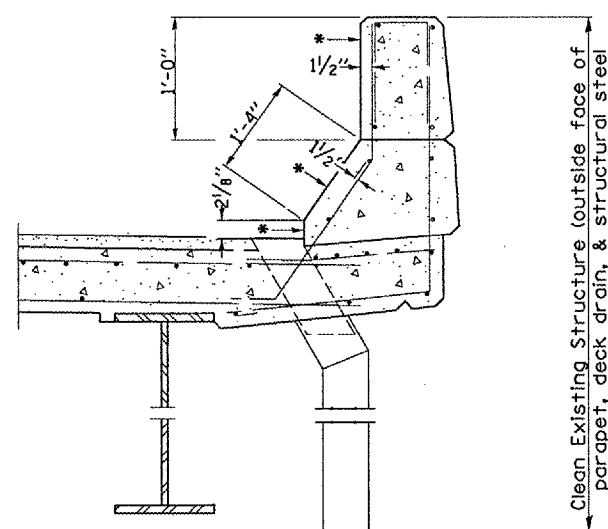


F. A. L. ETC.	SECTION	COUNTY	TOTAL SHEETS	SHEET NO.
55	(53-5B-1)I	LIVINGSTON	9	6
185+78		TO STA.	189+80	
FED. ROAD DIST. NO.		ILLINOIS		



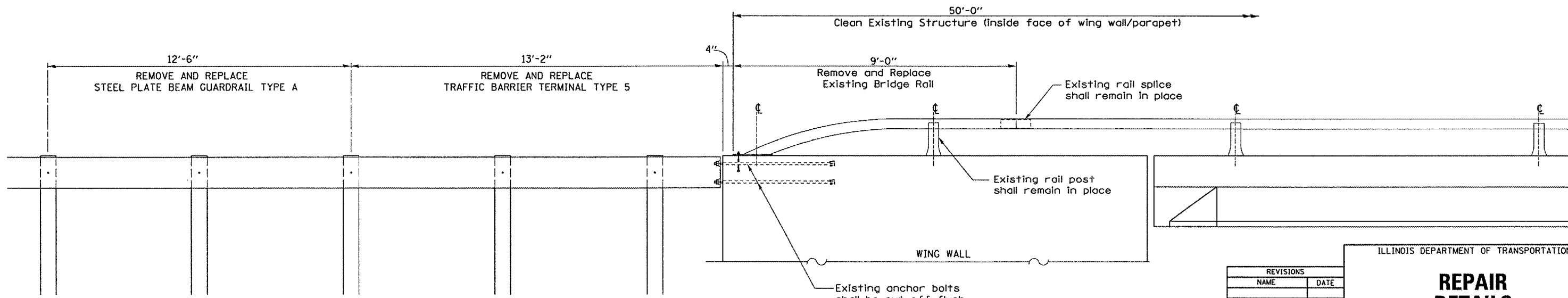
FORMED CONCRETE REPAIR, DEPTH =/ < 5"

VIEW A-A



SECTION D-D

*Areas of Formed Concrete Repair



VIEW B-B

REVISIONS	
NAME	DATE

ILLINOIS DEPARTMENT OF TRANSPORTATION

REPAIR DETAILS

SCALE: VERT. _____
 HORIZ. _____
 DATE 08/31/04

DRAWN BY RLW
 CHECKED BY _____

Date: 08/31/04
 mchd05/053-0128/053-0128.dgn