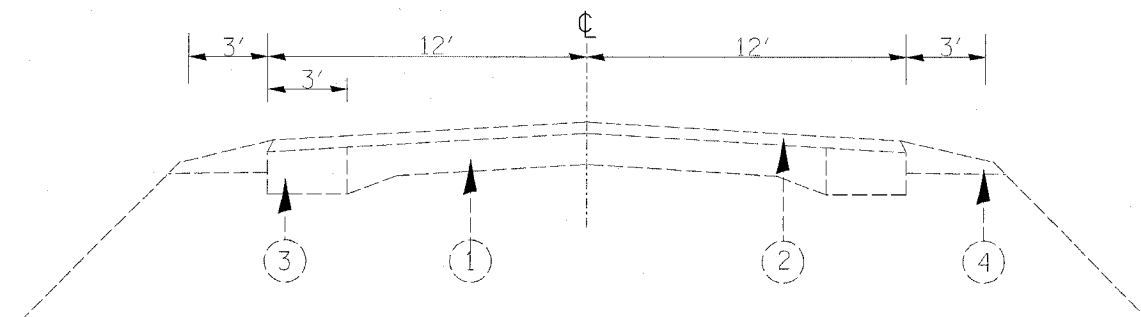
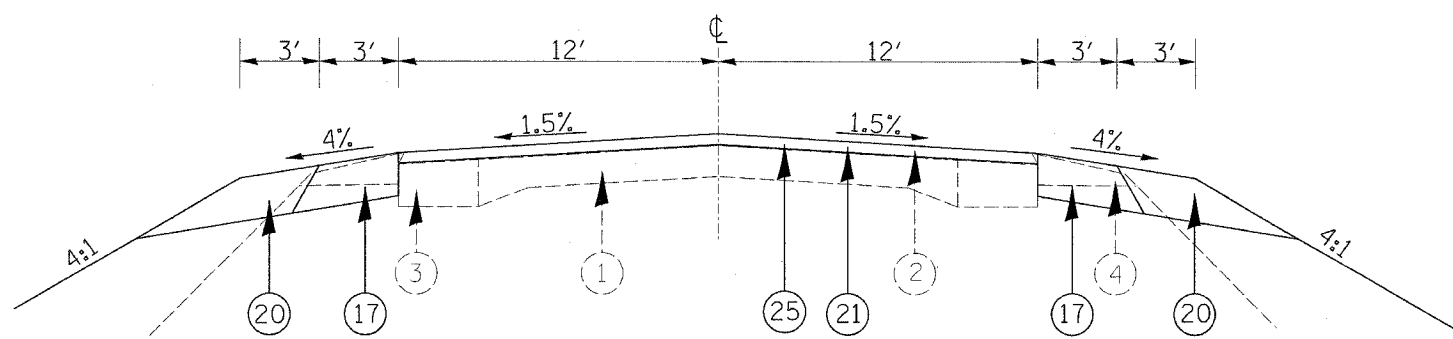


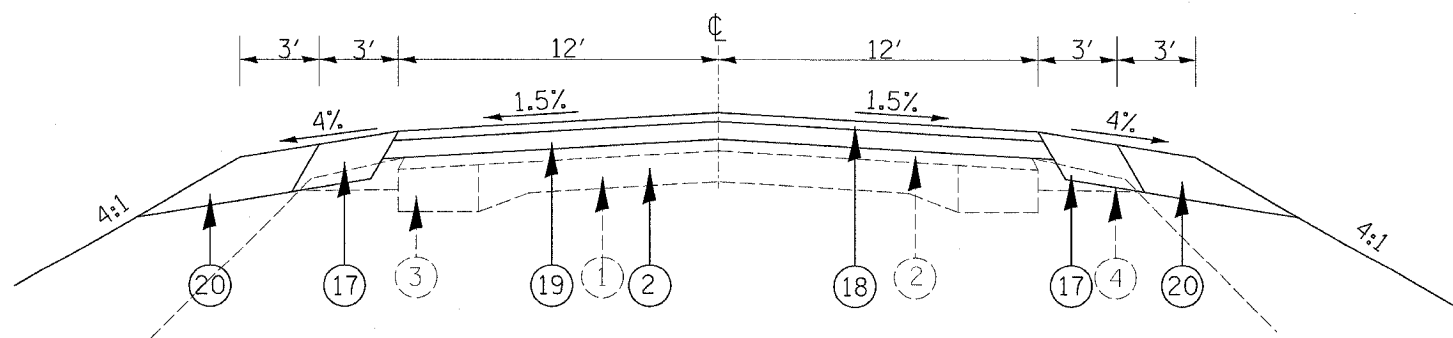
F.A.P. RTE.	SECTION	COUNTY	TOTAL SHEETS	SHEET NO.
618	33(EXT) BR	MCDONOUGH	63	6
STA.		TO STA.		
FED. ROAD DIST. NO. 4		ILLINOIS FED. AID PROJECT		
CONT. #68266				



EXISTING
STA. 1008+50 TO STA. 1020+50



PROPOSED
STA. 1008+16.1 TO STA. 1010+16.4
STA. 1017+74.0 TO STA. 1020+33.6



PROPOSED
STA. 1010+16.4 TO STA. 1010+31.7
STA. 1017+52.6 TO STA. 1017+74.0

LEGEND

- ① EXISTING CONCRETE PAVEMENT
- ② EXISTING OVERLAY (VAR.)
- ③ EXISTING BASE CSE. WIDENING, 2"
- ④ EXISTING AGGREGATE SHOULDER 6"-8"

- ⑮ PROPOSED BIT. BINDER CSE, 9¾"
- ⑯ PROPOSED SUBBASE GRANULAR MATERIAL TYPE B 12"
- ⑰ PROPOSED BIT. SHOULDER, 8"
- ⑱ PROPOSED BIT. CONC. SURF. CSE., SUPER D N50, 2"
- ⑲ PROPOSED LEVELING BINDER, MM, SUPER, N 50 0 TO 2"
- ⑳ PROPOSED AGGREGATE SHOULDER, TY. B, 8"
- ㉑ PROPOSED BIT. CONC. SURF. CSE., SUPER D N50, 1.5"
- ㉒ PROPOSED BIT. BINDER COURSE VARIABLE DEPTH 2" TO 9¾"
- ㉓ PROPOSED SUBBASE GRANULAR MATERIAL TYPE B VARIABLE DEPTH 0 TO 12"
- ㉔ PROPOSED EMBANKMENT
- ㉕ BIT SURFACE REMOVAL 1.5"

REVISIONS		ILLINOIS DEPARTMENT OF TRANSPORTATION
NAME	DATE	
		EXISTING & PROPOSED TYPICAL SECTIONS

SCALE: VERT. DATE
HORIZ. DATE

DRAWN BY CADD
CHECKED BY