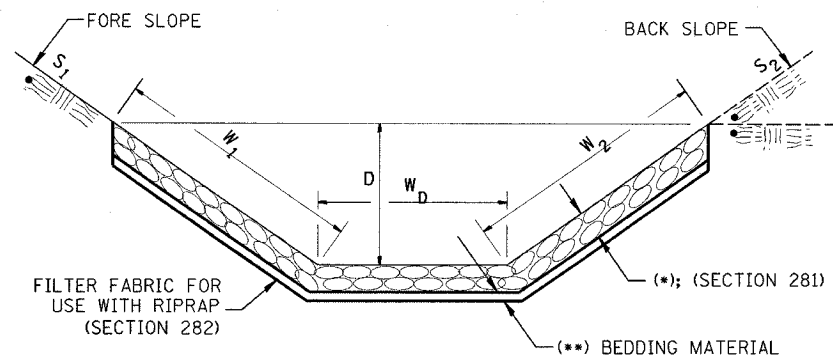


F.A.P. RTE.	SECTION	COUNTY	TOTAL SHEETS	SHEET NO.
618	33(EXT) BR	MCDONOUGH	63	28
STA.		TO STA.		
FED. ROAD DIST. NO. 4 ILLINOIS FED. AID PROJECT				
CONT. #68266				

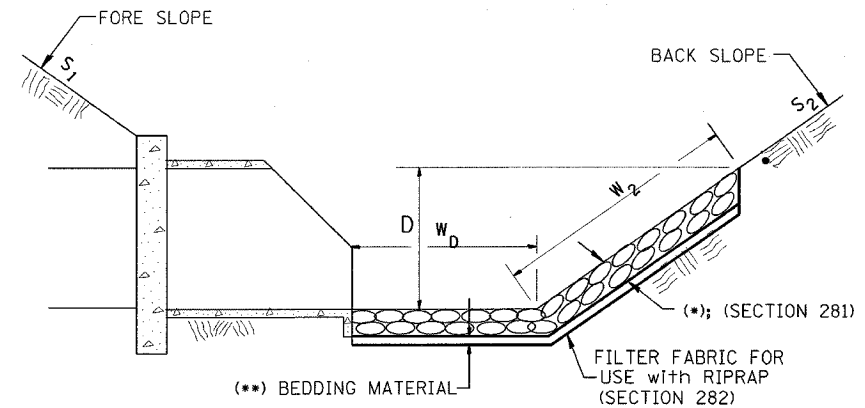
**CASE 1
(DITCH)**



(*)				
LOCATION	WIDTH (1)	LENGTH	A3 RIPRAP	FABRIC
STA TO STA	lin ft	lin ft	tons	sq yds
LT STA. 1014+75 TO 1015+00	6	25	11.4	16.6
LT STA. 1014+00 TO 1014+35	6	35	15.9	23.3
RT STA. 1014+00 TO 1014+35	6	35	15.9	23.3
RT STA. 1014+75 TO 1015+00	6	25	11.4	16.6
TOTAL			55	80

(1) WIDTH = $W_1 + W_2 + W_D$

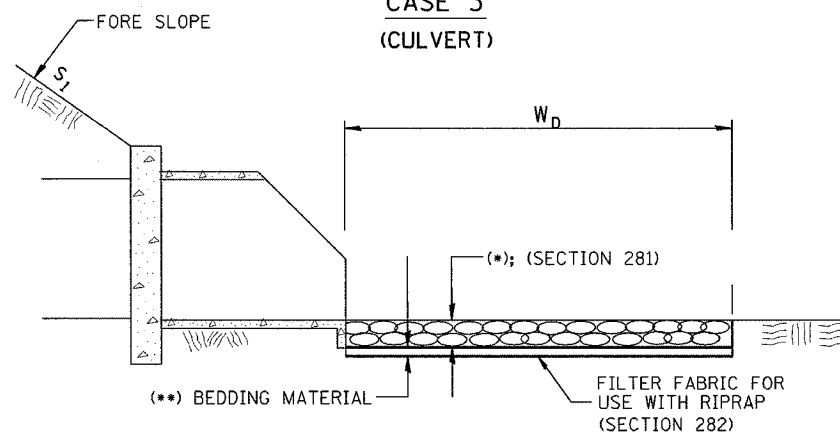
**CASE 2
(CULVERT & SLOPE)**



(*)				
LOCATION	WIDTH (1)	LENGTH	RIPRAP	FABRIC
STA TO STA	m (lin ft)	m (lin ft)	m tons (tons)	m ² (sq yds)
TOTAL				

(1) WIDTH = $W_2 + W_D$

**CASE 3
(CULVERT)**



(*)				
LOCATION	area		A4 RIPRAP	FABRIC
STA TO STA	left	right	sq yds	sq yds
STA. 1014+35 TO 1014+74	74	82	156	156
TOTAL			156	156

(1) WIDTH = W_D

All slope ratios are expressed as units of vertical displacement to units of horizontal displacement (V:H).
All dimensions are in millimeters (inches) unless otherwise noted.

ILLINOIS DEPARTMENT OF TRANSPORTATION
SPECIAL DETAIL SHEET
RIPRAP DITCH FOR EROSION PROTECTION
CADD DETAIL 281001-D4
SCALE: NOT DRAWN TO SCALE
DRAWN BY CADD
CHECKED BY

DATE	REVISIONS	BY
1-1-97	RENUM. A-12.02, NEW REVISION BOX	T.P.
12-1-97	CORRECT FILTER FABRIC LEADER ARROW	J.A.

8/19/2004