

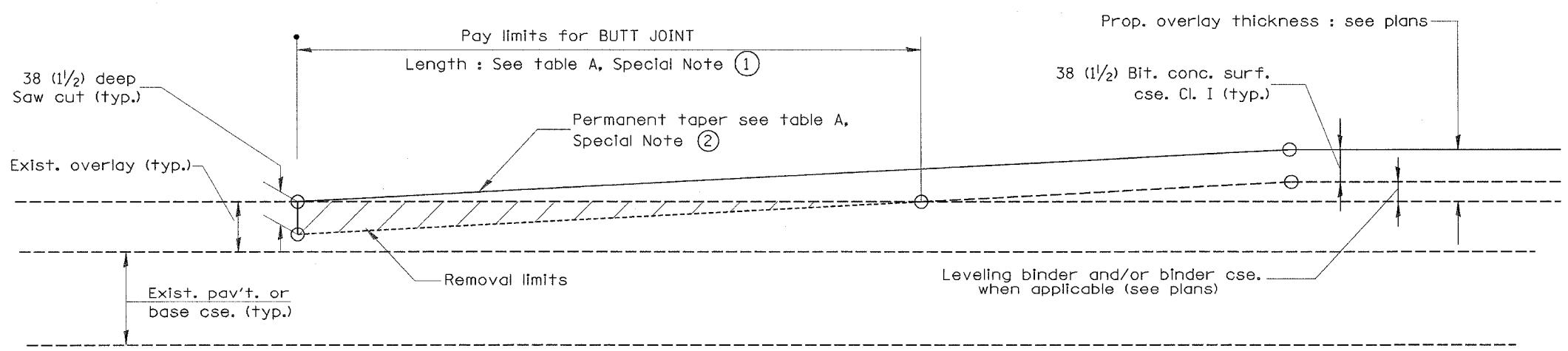
**CASE 1 : WITH BITUMINOUS SURFACE REMOVAL (COLD MILLING)**

**TABLE A**  
(LENGTHS AND TAPER RATES)

SPECIAL NOTE NUMBER	ELEMENT	MAINLINE INTERSTATES & 4-LANE EXPRESSWAYS	ALL OTHERS
①	LENGTH OF BUTT JOINT	18.0 m(60')	9.0 m(30')
②	PERMANENT TAPER RATE	1:480	1:240
③	TEMPORARY RAMP TAPER RATE	1:80	1:40
④	TEMPORARY RAMP LENGTH	3.0 m(10')	1.5 m(5')

**GENERAL NOTES**

1. The work shall be done in accordance with Article 406.18 and the Special Provision for Butt Joints.
2. The pavement surface to be removed may be either bituminous or P.C. concrete. The work shall be performed in accordance with Article 440.03 and the Special Provisions for Butt Joints.
3. The saw cut joints shall be primed just prior to the placing of bituminous material. The work will be in accordance with the applicable portions of Article 406.06.



**CASE 2 : NO BITUMINOUS SURFACE REMOVAL (COLD MILLING)**

All dimensions are in millimeters (inches) unless otherwise noted.

ILLINOIS DEPARTMENT OF TRANSPORTATION  
**DISTRICT CADD STANDARD**

**BUTT JOINTS**

CADD STD NO. 406101-D4 SHEET 1 OF 2  
SCALE: NOT DRAWN TO SCALE DRAWN BY CADD  
DATE 8/19/2004 CHECKED BY

DATE	REVISIONS	BY
1-1-97	RENUM. C-23.01, NEW REVISION BOX	T.P.
4-1-97	CORRECTION TO DEPTH	J.A.

**406101-D4 (1)**

8/19/2004