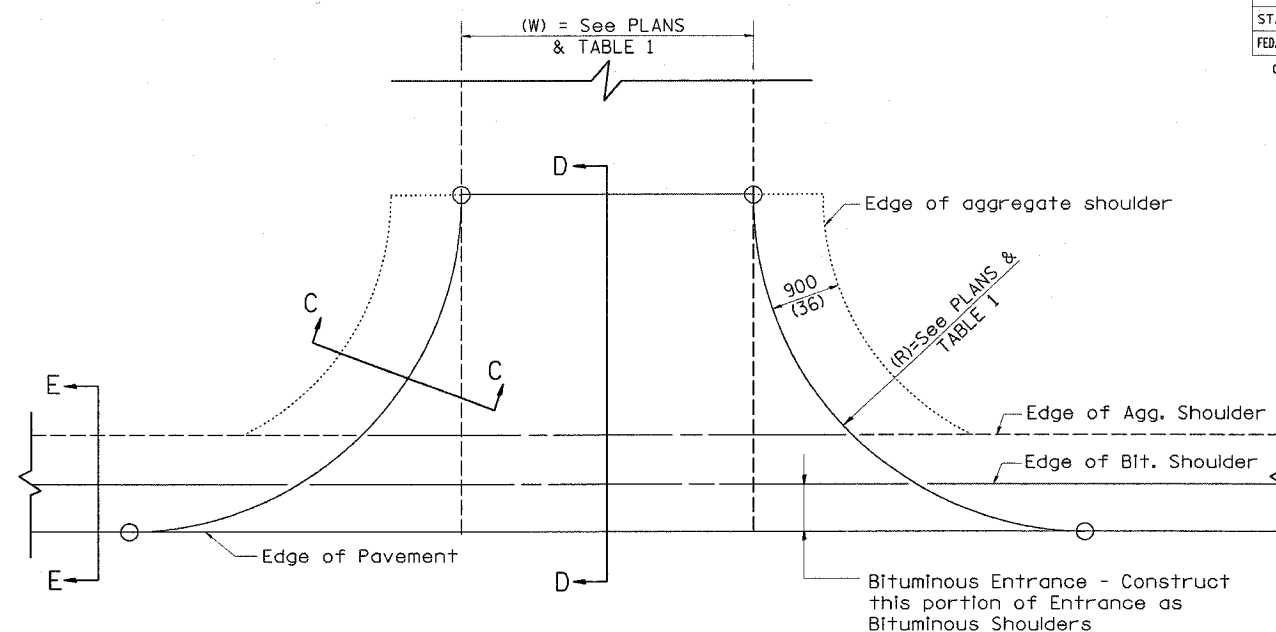
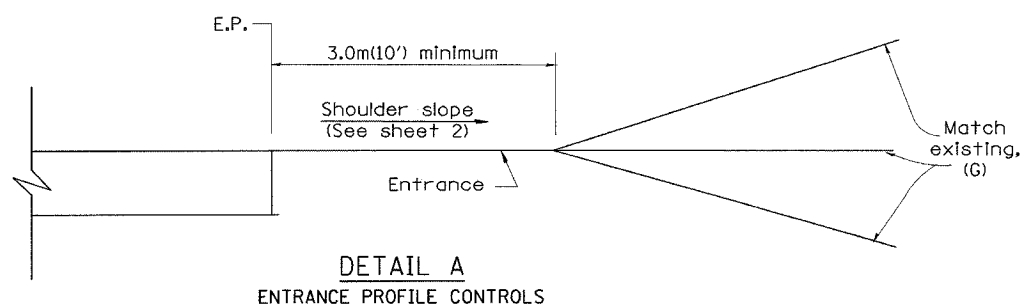


PLAN  
AGGREGATE ENTRANCE



PLAN  
PCC OR BITUMINOUS ENTRANCE

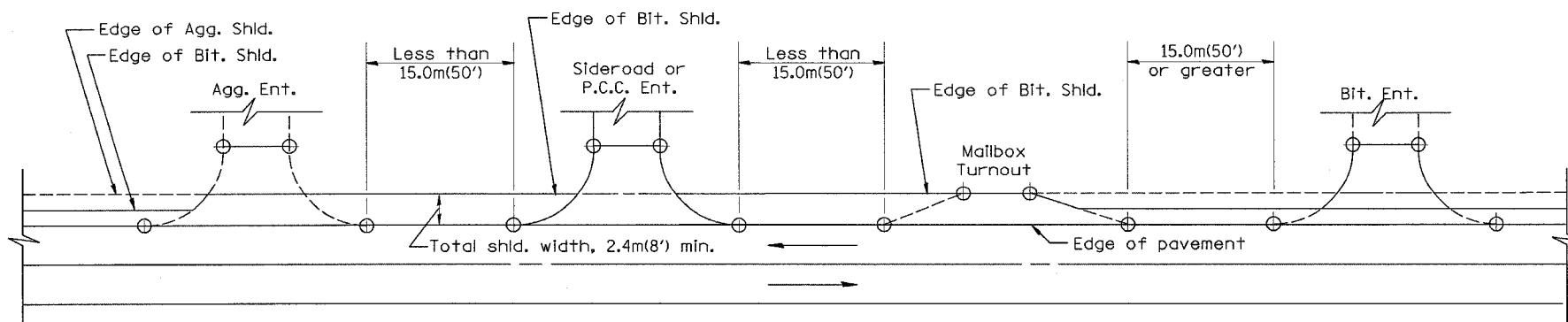
| TABLE 1               |                |                 |   |                 |                 |                 |                 |                 |
|-----------------------|----------------|-----------------|---|-----------------|-----------------|-----------------|-----------------|-----------------|
| RURAL ENTRANCE DESIGN |                |                 |   |                 |                 |                 |                 |                 |
| ELEMENT               | NON-COMMERCIAL |                 | NON-COMMERCIAL W/<br>LARGE FARM EQUIPMENT |                 | COMMERCIAL      |                 |                 |                 |
|                       |                |                 |   |                 | 1-WAY OPERATION |                 | 2-WAY OPERATION |                 |
| WIDTH (W)             | 3.6m(12') MIN. | 7.2m(24') MAX.  | 6.1m(20') MIN.                            | 9.0m(30') MAX.  | 4.3m(14') MIN.  | 7.2m(24') MAX.  | 7.2m(24') MIN.  | 10.7m(35') MAX. |
| RADIUS (R)            | 3.0m(10') MIN. | 12.0m(40') MAX. | 3.0m(10') MIN.                            | 12.0m(40') MAX. | 6.1m(20') MIN.  | 15.0m(50') MAX. | 6.1m(20') MIN.  | 15.0m(50') MAX. |
| MAX. GRADE (G)        | 12%            |                 | 12%                                       |                 | 10%             |                 |                 |                 |



DETAIL A  
ENTRANCE PROFILE CONTROLS

GENERAL NOTES

- Entrances shall slope away from the pavement edge at a rate equal to the shoulder slope for a minimum distance of 3.0m(10'). See DETAIL 'A'.
- The total shoulder width, 2.4m(8') minimum, shall be paved between sideroads, entrances and/or mailbox turnouts, at locations where the distance between radius or taper control points is less than 15.0m(50'). See DETAIL 'B'.
- The width of bituminous stub for field entrances shall be equal to the bituminous shoulder width unless otherwise shown.



DETAIL B  
SHOULDER TREATMENT FOR CLOSELY SPACED SIDEROADS,  
ENTRANCES, AND/OR MAILBOX TURNOUTS  
(SEE GENERAL NOTE 2, SHEET 1)

All slopes ratios are expressed as units of vertical displacement to units of horizontal displacement (V:H).  
All dimensions are in millimeters (inches) unless otherwise noted.

ILLINOIS DEPARTMENT OF TRANSPORTATION  
DISTRICT CADD STANDARD

RURAL ENTRANCES FOR  
"3R" PROJECTS

SHEET 1 OF 2

CADD STD NO. 406301-D4 DRAWN BY CADD  
SCALE: NOT DRAWN TO SCALE CHECKED BY: T. PICKERING

| DATE   | REVISIONS                         | BY   |
|--------|-----------------------------------|------|
| 1-1-97 | RENUM. C-103.06, NEW REVISION BOX | T.P. |
| 7-1-97 | REVISE DESIGNER NOTES             | J.A. |
|        |                                   |      |
|        |                                   |      |
|        |                                   |      |