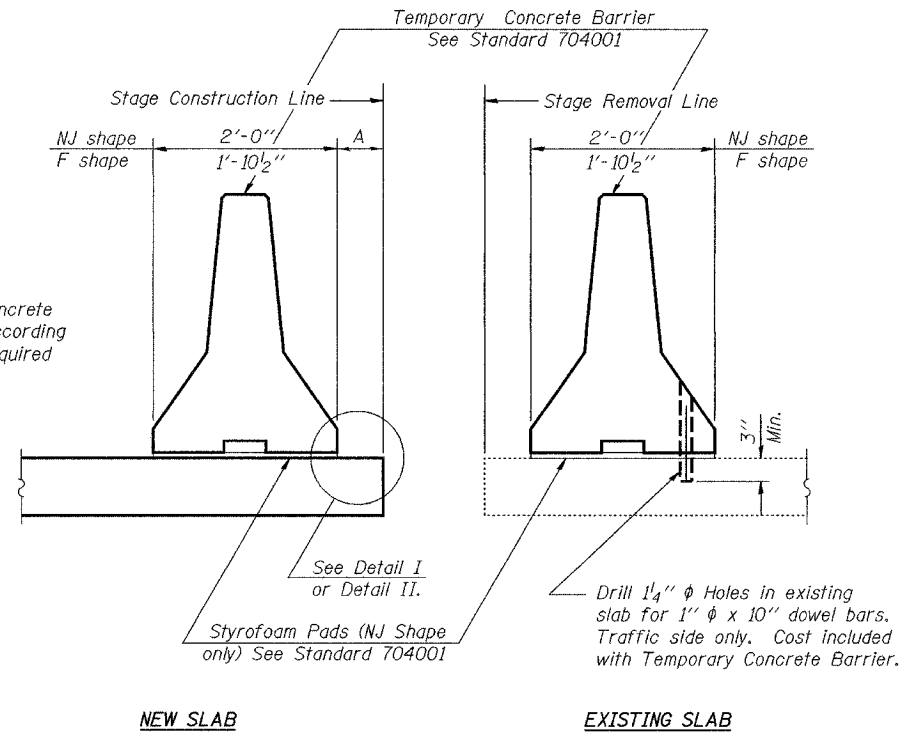


70218

STATE OF ILLINOIS
DEPARTMENT OF TRANSPORTATION

ROUTE NO.	SECTION	COUNTY	TOTAL SHEETS	SHEET	SHEET NO. 3
FAP 332	(24BR - 1)BR	CLARK		17	20 SHEETS
FED. ROAD DIST. NO. 7	ILLINOIS	FED. AID PROJECT-			

Contract No. 70218

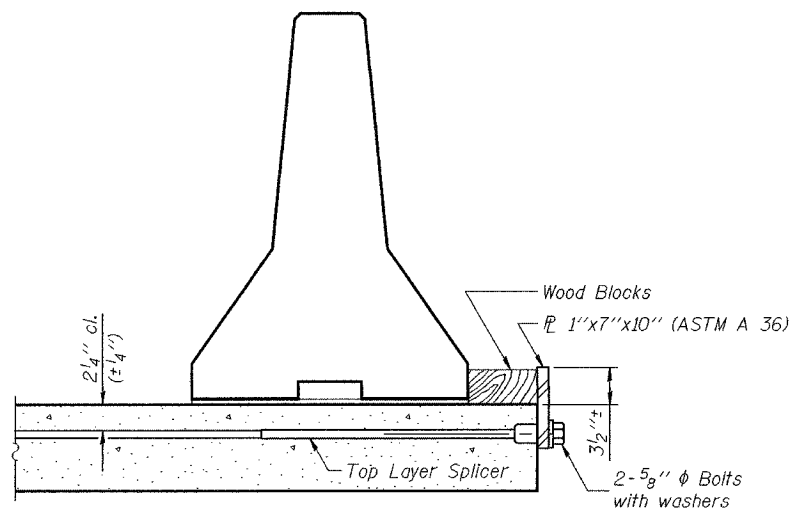


When "A" is 3'-6" or less, the temporary concrete barrier shall be anchored to the new slab according to Detail I or Detail II. No anchorage is required when "A" is greater than 3'-6".

NOTES

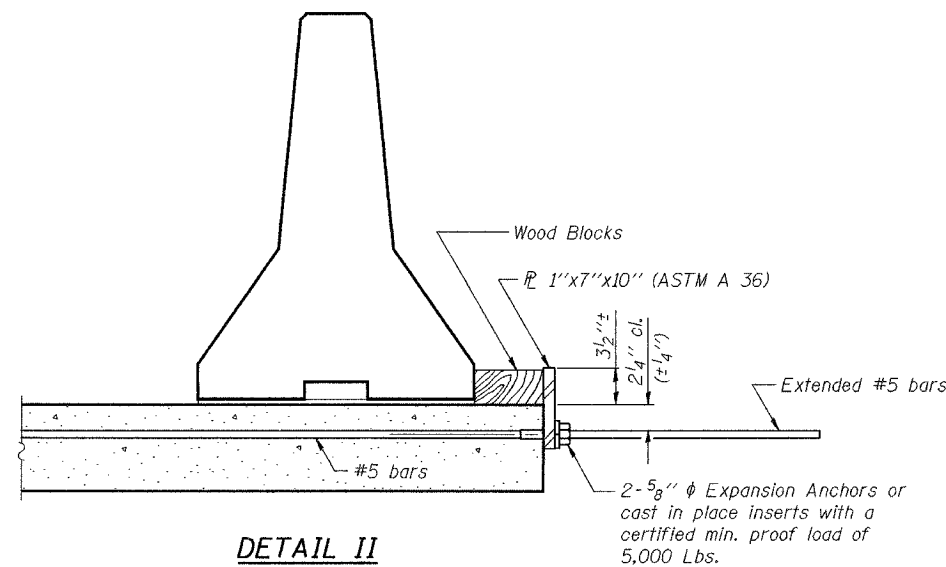
- Detail I - With Bar Splicer or Couplers:
Connect one (1) 1"x7"x10" steel PL to the top layer of couplers with 2-5/8" φ bolts screwed to coupler at approximate ℓ of each barrier panel.
- Detail II - With Extended Reinforcement Bars:
Connect one (1) 1"x7"x10" steel PL to the concrete slab with 2-5/8" φ Expansion Anchors or cast in place inserts spaced between the top layer of reinforcement at approximate ℓ of each barrier panel.
- Cost of anchorage is included with Temporary Concrete Barrier.

SECTIONS THRU SLAB



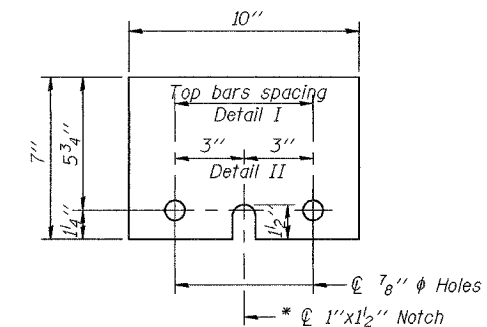
DETAIL I

The 1"x7"x10" Plate shall not be removed until Stage II Construction forms and reinforcement bars are in place.



DETAIL II

The 1"x7"x10" Plate shall not be removed until Stage II Construction forms and all reinforcement bars are in place and the concrete is ready to be placed.



PL 1"x7"x10"

* Required only with Detail II

DESIGNED	CCC
CHECKED	SJB
DRAWN	BECKY M. CURRY
CHECKED	CCC & SMR

R-27 9-01-03

December 8, 2004
 EXAMINED *Thomas J. Damagala*
 ENGINEER OF BRIDGE DESIGN
 PASSED *Ralph E. Anderson*
 ENGINEER OF BRIDGES AND STRUCTURES

**TEMPORARY CONCRETE BARRIER
FOR STAGE CONSTRUCTION
F.A.P. ROUTE 332 - SEC. (24BR-1)BR
CLARK COUNTY
STATION 595+60.10
STRUCTURE NO. 012-0071**