

10218

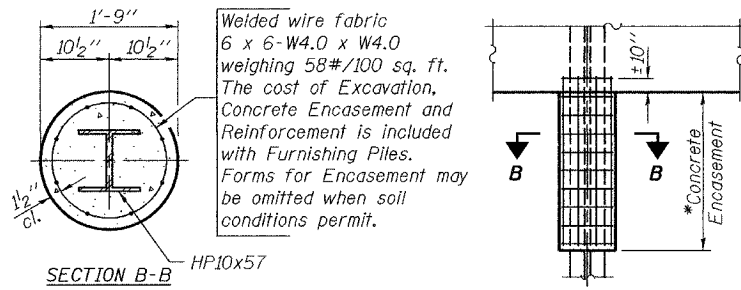
Notes:
 Space reinforcement in cap to miss anchor bolts.
 Pour steps monolithically with cap.
 For Anchor Bolt Installation Details see sheet 14 of 20.

*Concrete encasement shall extend 3'-0" below bottom of pier wall or to top of rock, (whichever is higher).

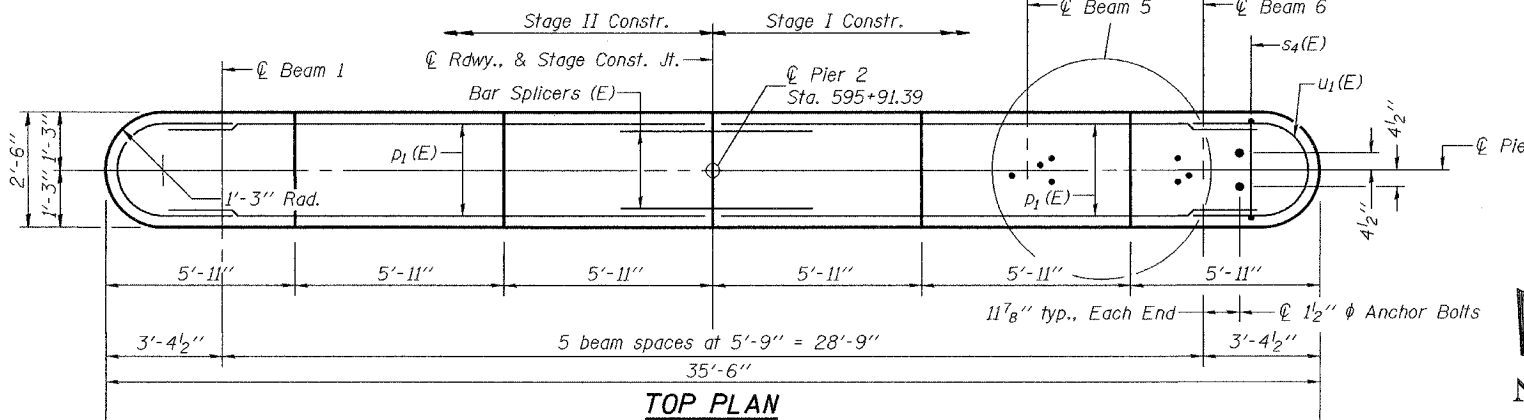
STATE OF ILLINOIS
 DEPARTMENT OF TRANSPORTATION

ROUTE NO.	SECTION	COUNTY	SHEET	SHEET NO. 18
FAP 332	(24BR-1)BR	CLARK	32	20 SHEETS
FED. ROAD DIST. NO. 7	MILES	FED. AID PROJECT-		

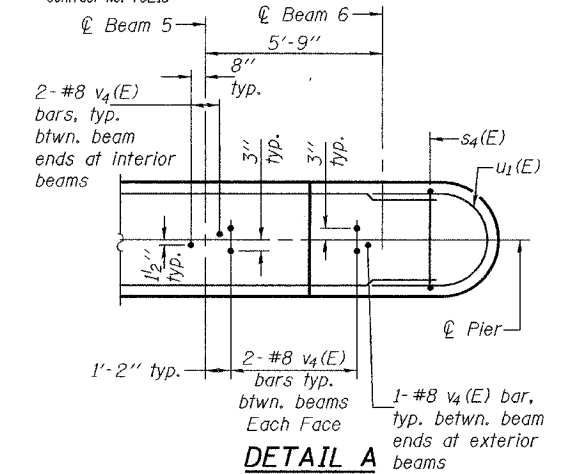
Contract No. 70218



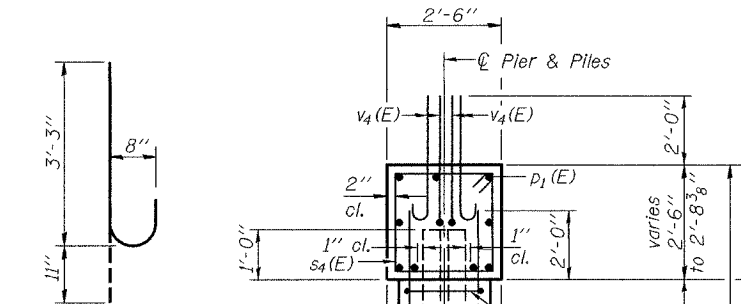
PILE ENCASEMENT DETAIL



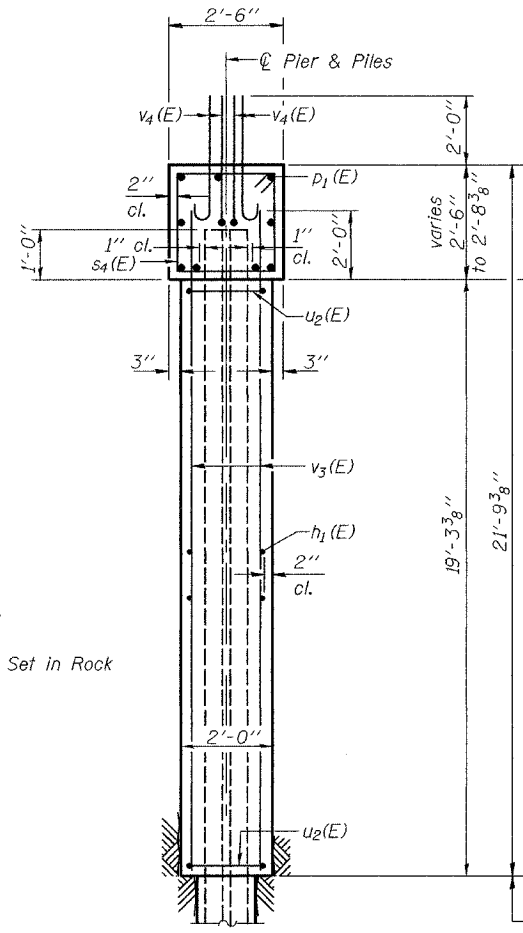
TOP PLAN



DETAIL A



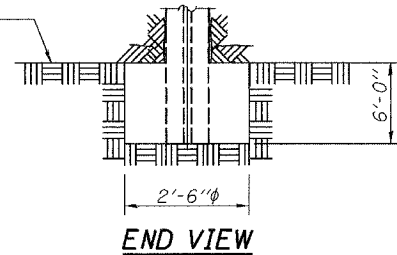
BAR v4(E)



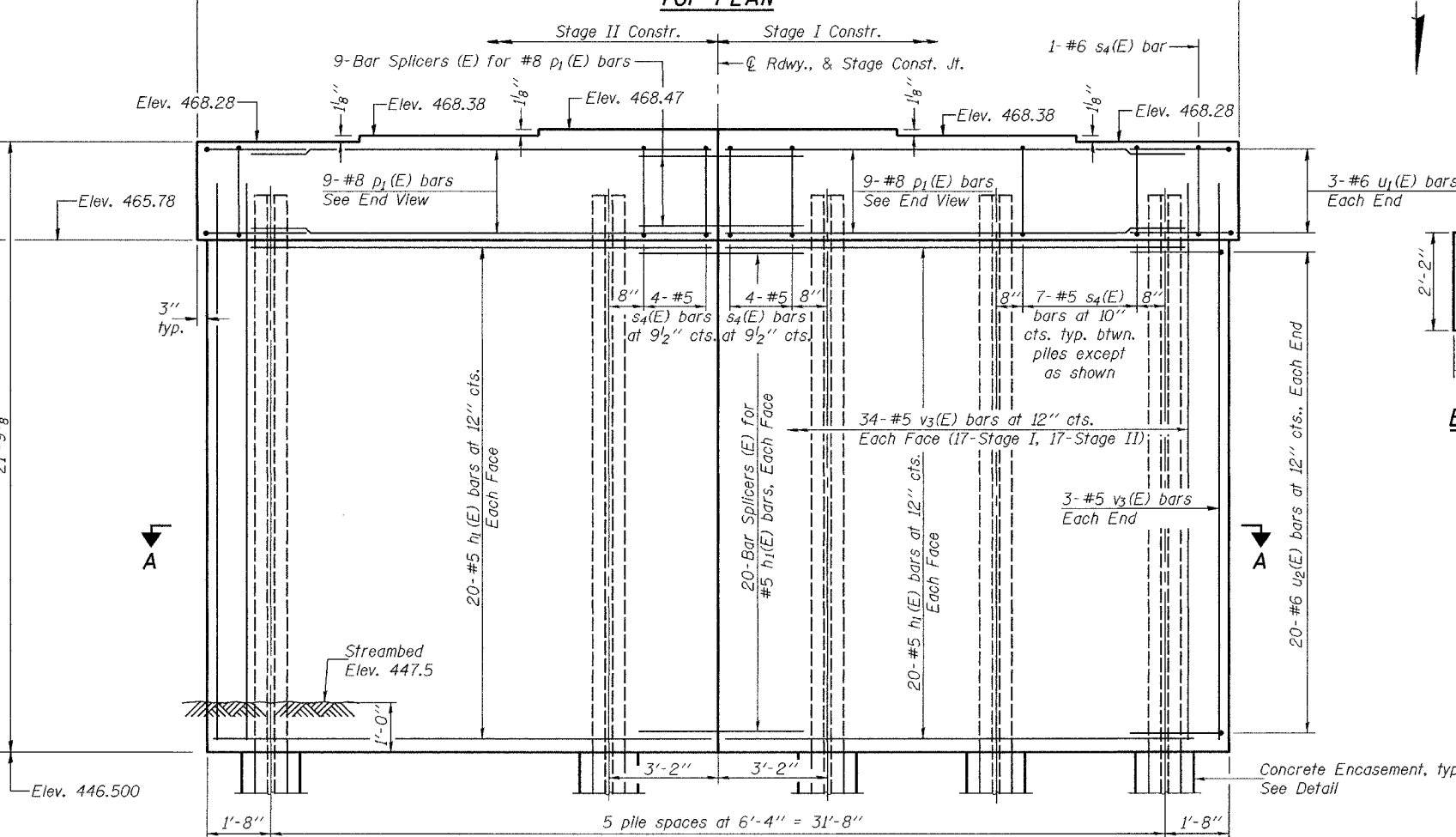
PILE DATA

Type: HP10x57
 Nominal Required Bearing: Set in Rock
 Est. Length: 27 ft.
 No. Required: 6

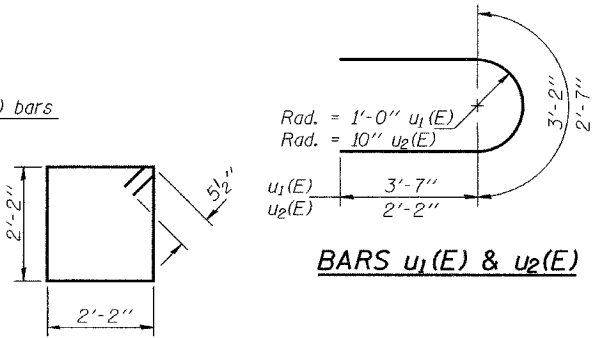
Estimated Top of Rock Elevation = 445.9



END VIEW



ELEVATION



BARS u1(E) & u2(E)

BAR s4(E)

BILL OF MATERIAL

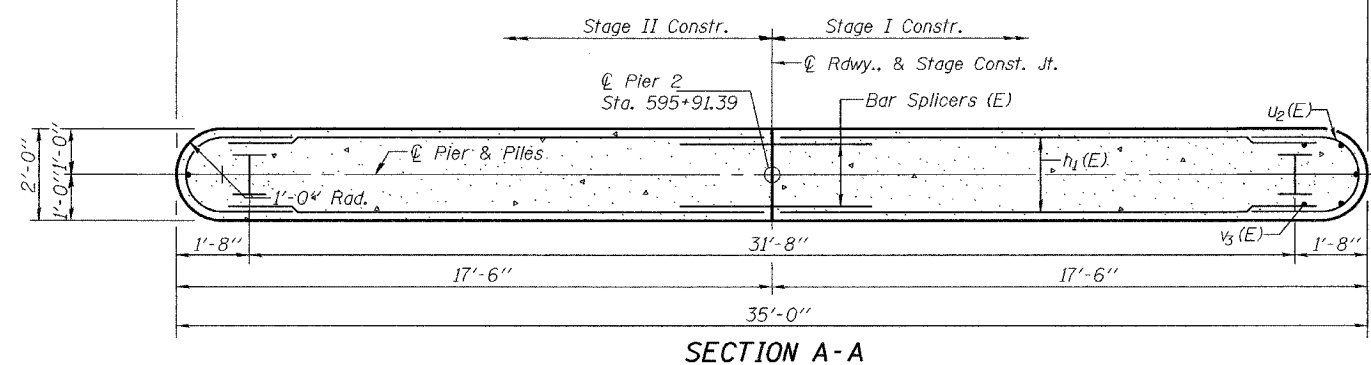
Bar	No.	Size	Length	Shape
h1(E)	80	#5	16'-3"	—
p1(E)	18	#8	16'-4"	—
s4(E)	38	#5	9'-7"	□
u1(E)	6	#6	10'-4"	U
u2(E)	40	#6	6'-11"	U
v3(E)	74	#5	21'-0"	—
v4(E)	30	#8	4'-2"	—
Setting Piles in Rock	Each		6	
Furnishing Steel Piles HP10x57	Foot		162	
Concrete Structures	Cu. Yd.		65.1	
Reinforcement Bars, Epoxy Coated	Pound		4980	
Structure Excavation	Cu. Yd.		8.7	
Underwater Structure Excavation Protection, Location 2	Each		1	

Reinforcement Bars designated (E) shall be epoxy coated.

DESIGNED	CCC
CHECKED	SMR
DRAWN	BECKY M. CURRY
CHECKED	CCC & SMR

December 8, 2004
 EXAMINED *Thomas J. Demagala*
 ENGINEER OF BRIDGE DESIGN
 PASSED *Ralph E. Anderson*
 ENGINEER OF BRIDGES AND STRUCTURES

PIER 2
 F.A.P. ROUTE 332 - SEC. (24BR-1)BR
 CLARK COUNTY
 STATION 595+60.10
 STRUCTURE NO. 012-0071



SECTION A-A