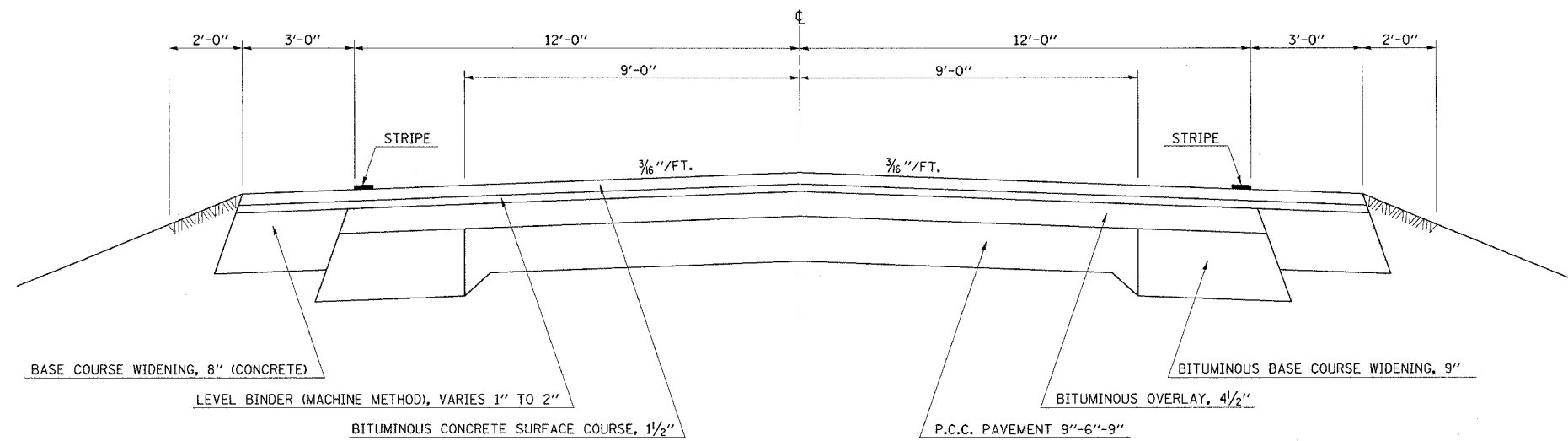


F.A.P. RTE.	SECTION	COUNTY	TOTAL SHEETS	SHEET NO.
836	(119)R1BR	CHAMPAIGN	43	5

CONTRACT NO. 70355

EXISTING TYPICAL CROSS SECTION

STATION TO STATION
 1012+80.00 1013+32.83 (SOUTH APPROACH PAVEMENT)
 (NORTH APPROACH PAVEMENT) 1017+09.17 1017+62.00



PROPOSED TYPICAL CROSS SECTION

STATION TO STATION
 1012+80.00 1013+10.00 (FLEXIBLE CONNECTOR-SOUTH APPROACH PAVEMENT)
 (FLEXIBLE CONNECTOR-NORTH APPROACH PAVEMENT) 1017+32.00 1017+62.00

