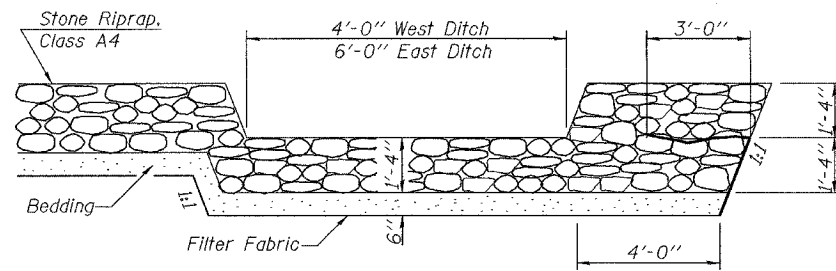


STATE OF ILLINOIS  
DEPARTMENT OF TRANSPORTATION

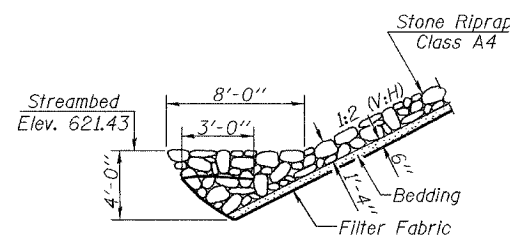
| ROUTE NO.             | SECTION    | COUNTY            | TOTAL SHEETS | SHEET |
|-----------------------|------------|-------------------|--------------|-------|
| FAP 836               | (119BR) BR | CHAMPAIGN         |              | 13    |
| FED. ROAD DIST. NO. 7 | ILLINOIS   | FED. AID PROJECT- |              |       |

SHEET NO. 2  
21 SHEETS

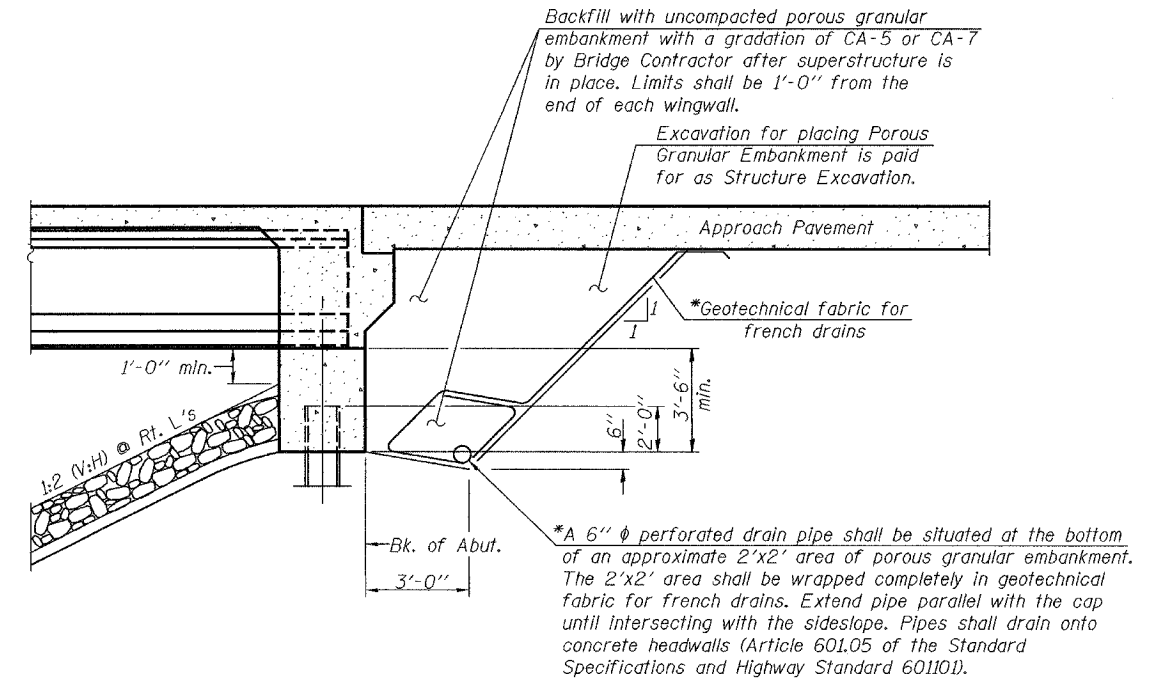
Contract # 70355



**SECTION B-B**



**SECTION A-A**



\*Included in the cost of Porous Granular Embankment.

**SECTION THRU INTEGRAL ABUTMENT**  
(Horiz. dim. @ Rt. L's)

|          |                      |
|----------|----------------------|
| DESIGNED | Philip E. Coppernoll |
| CHECKED  | Ray Ahanchi          |
| DRAWN    | Michael B. Mossman   |
| CHECKED  | P.E.C./G.R.A.        |

|          |                                                         |
|----------|---------------------------------------------------------|
| EXAMINED | Thomas J. Domagalaki<br>ENGINEER OF BRIDGE DESIGN       |
| PASSED   | Ralph E. Anderson<br>ENGINEER OF BRIDGES AND STRUCTURES |

December 1, 2004

**GENERAL DATA**  
F.A.P. RT. 836-SECTION (119BR)BR  
CHAMPAIGN COUNTY  
STATION 1015+21.00  
STRUCTURE NO. 010-0280