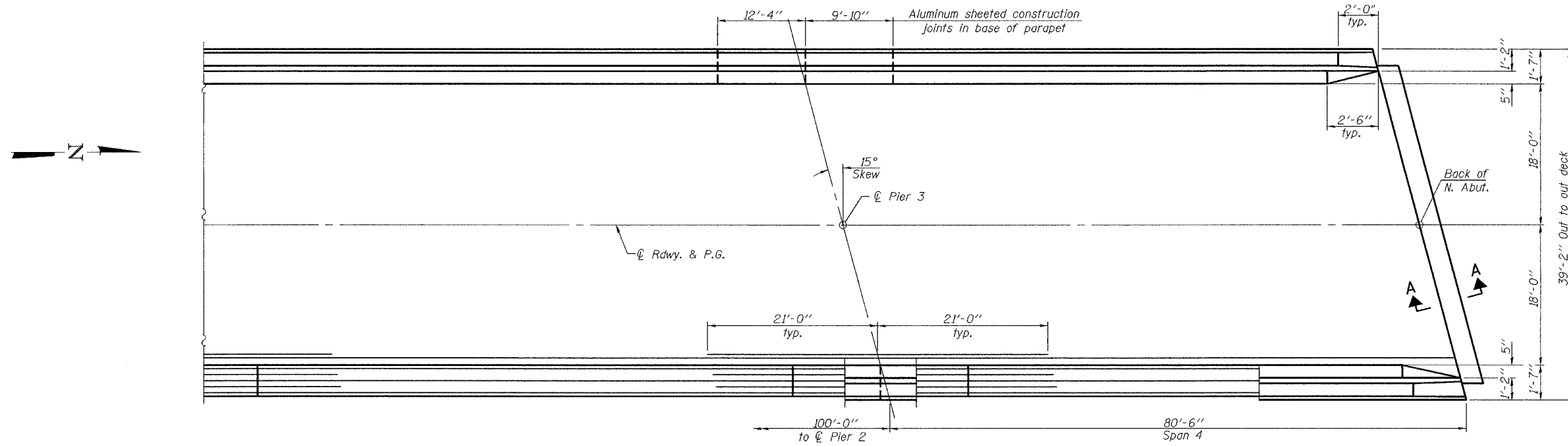


STATE OF ILLINOIS  
DEPARTMENT OF TRANSPORTATION

ROUTE NO.	SECTION	COUNTY	SHEET NO.	SHEET NO. 6
FAP 836	(119BR) BR	CHAMPAIGN	17	21 SHEETS
FED. ROAD DIST. NO. 7	ILLINOIS	FED. AID PROJECT		

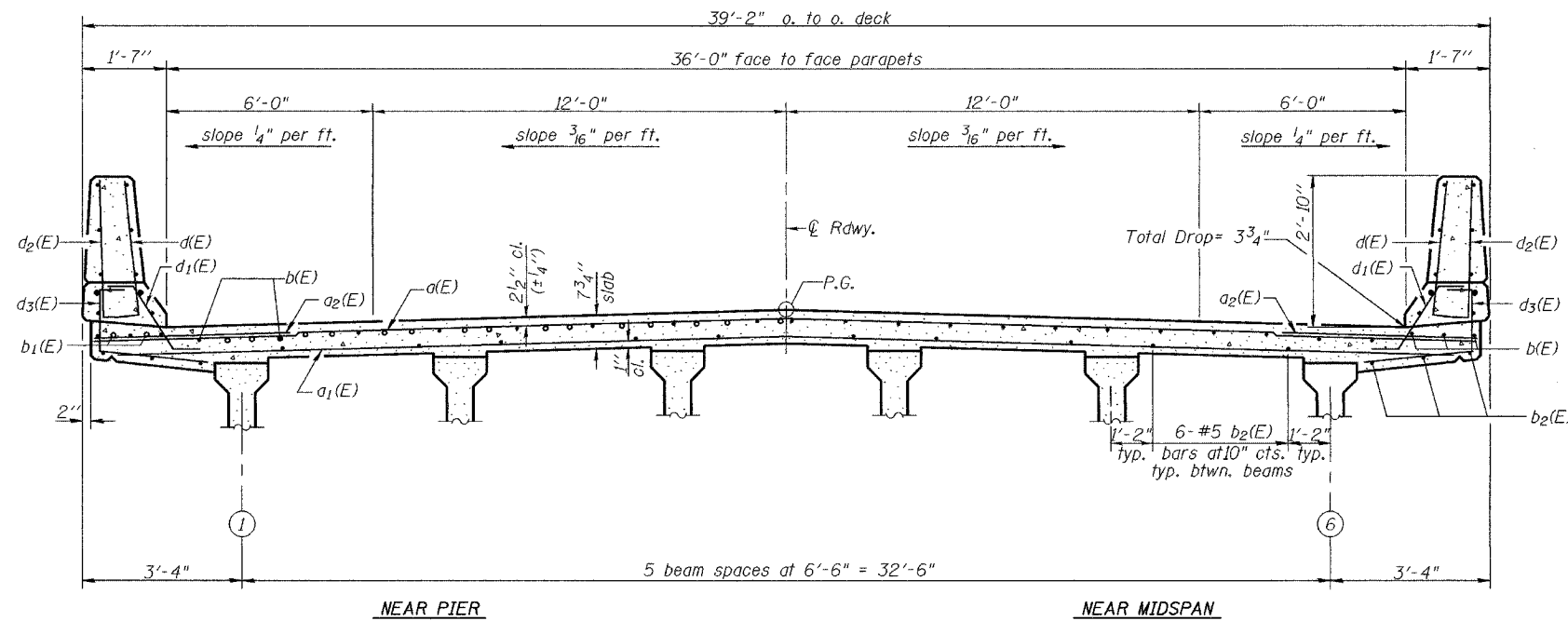
Contract # 70355



PLAN

MIN. BAR LAP

#5 bar = 2'-2"  
#6 bar = 2'-7"



Notes:  
See sheet 7 of 21 for superstructure details and Bill of Material.  
For Section A-A and diaphragm details see sheet 8 of 21.  
Reinforcement bars designated (E) shall be epoxy coated.  
Bars indicated thus 36 x 11-#5 etc. indicates 31 lines of bars with 3 lengths per line.  
See sheet 7 of 21 for parapet reinforcement.  
Work this sheet with sheet 5 of 21.

DESIGNED Philip E. Coppernoll	December 1, 2024
CHECKED Ray Ahanchi	EXAMINED Thomas J. Domagalaki
DRAWN Michael B. Mossman	PASSED Ralph E. Anderson
CHECKED P.E.C./G.R.A.	ENGINEER OF BRIDGES AND STRUCTURES

SUPERSTRUCTURE  
F.A.P. RT. 836-SECTION (119BR)BR  
CHAMPAIGN COUNTY  
STATION 1015+21.00  
STRUCTURE NO. 010-0280