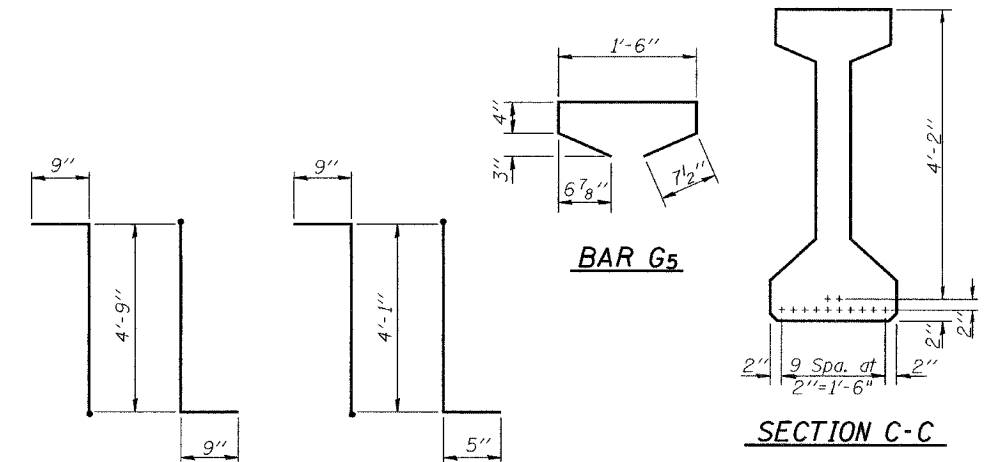
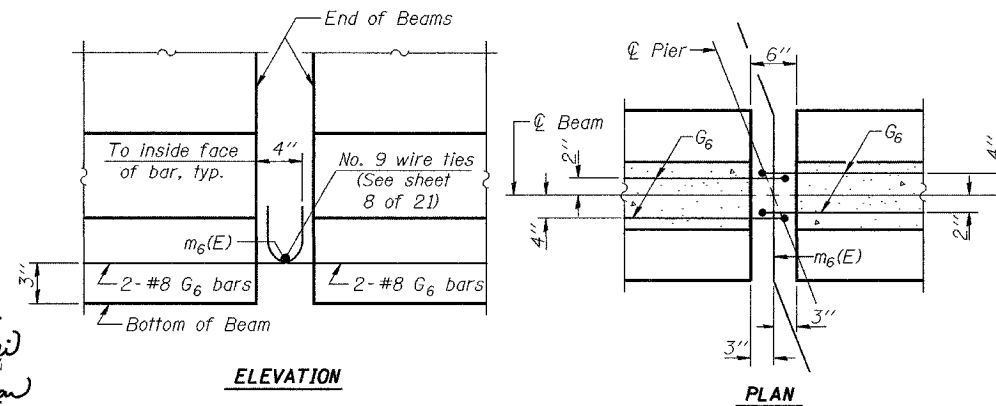
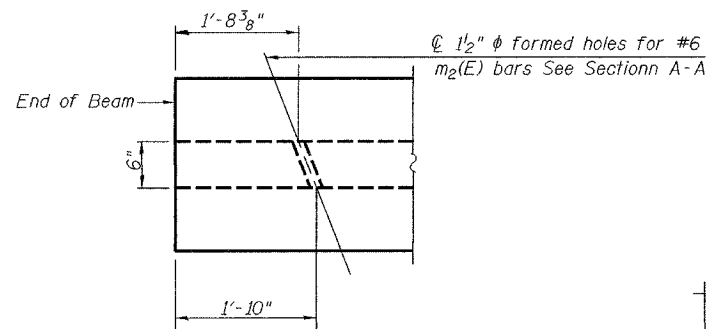
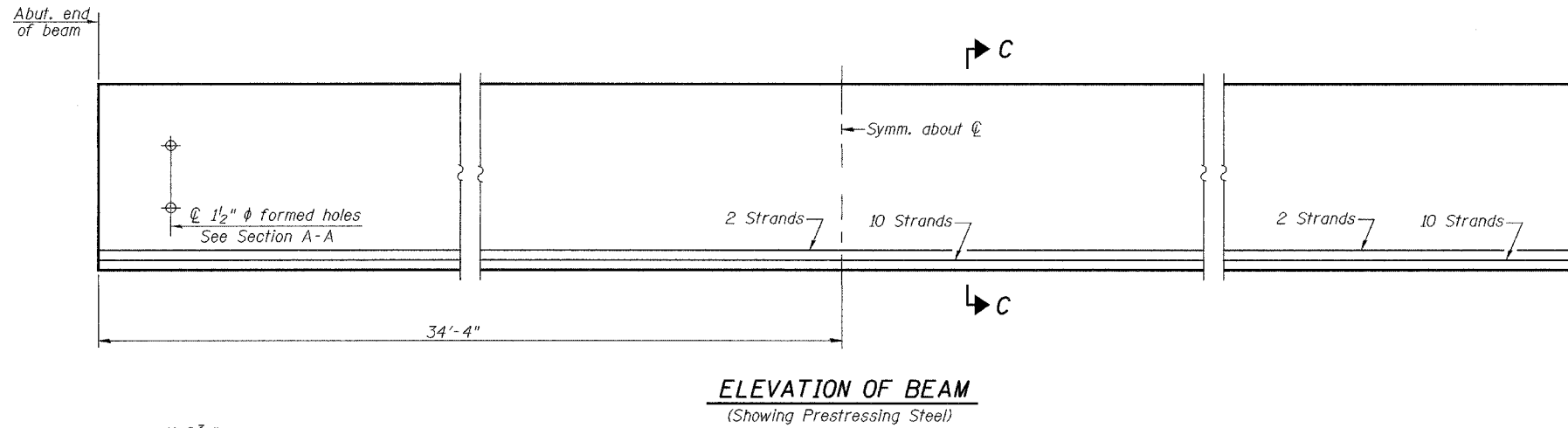
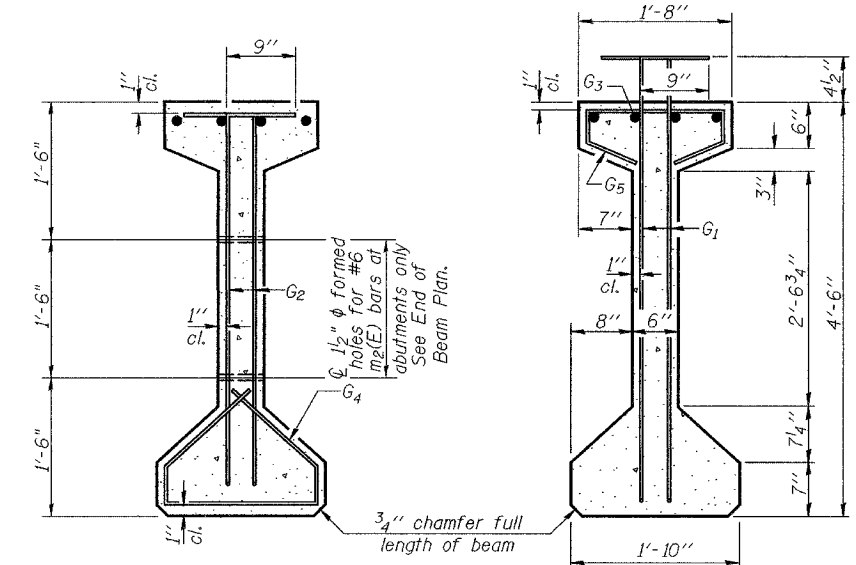
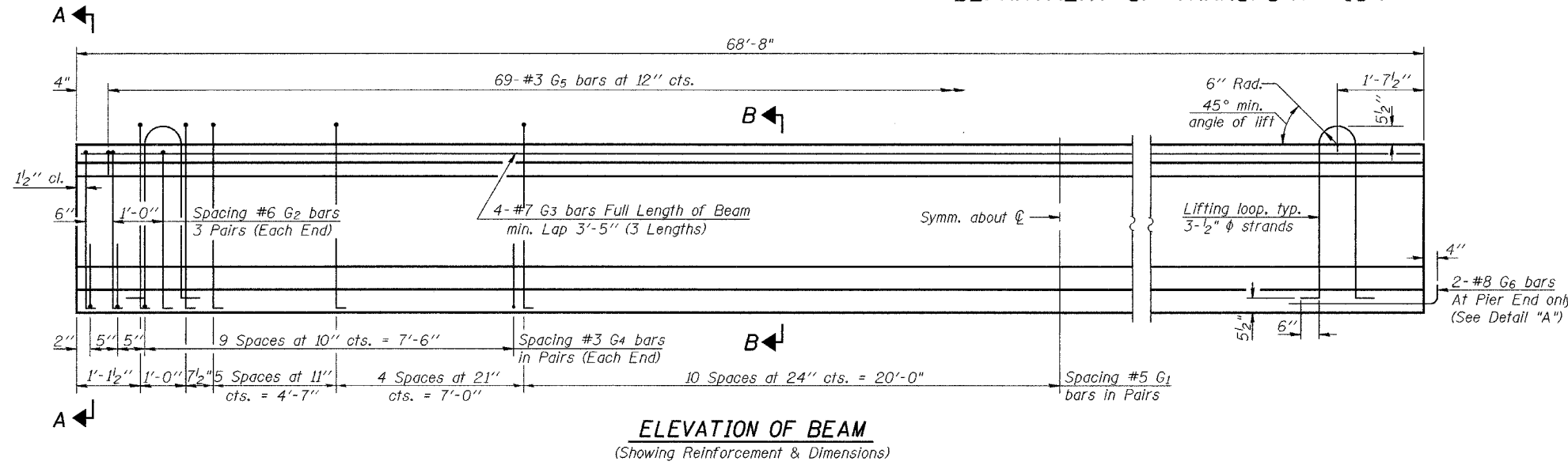


STATE OF ILLINOIS  
DEPARTMENT OF TRANSPORTATION

ROUTE NO.	SECTION	COUNTY	STATION	SHEET	SHEET NO. 10 21 SHEETS
FAP 836	(119BR) BR	CHAMPAIGN		21	
FED. ROAD DIST. NO. 7	ILLINOIS	FED. AID PROJECT-			

Contract # 70355



**\*BAR LIST**

Bar	No.	Size	Length	Shape
G1	86	#5	6'-3"	TL
G2	12	#6	5'-3"	TL
G3	12	#7	25'-1"	—
G4	48	#3	3'-4 1/2"	—
G5	69	#3	3'-5"	—
G6	2	#8	3'-6"	U

\*For one beam only.

**BILL OF MATERIAL**

Item	Unit	Total
Furnishing and Erecting Precast Prestressed Concrete I-Beams, 54"	Ft.	412

**NOTES**

Inserts for 3/4" threaded dowel rods are to be two strut, coil type for interior I-Beams and single coil, flared loop type for exterior I-Beams. Prestressing steel shall be uncoated high strength, low relaxation 7-wire strand, Grade 270. The nominal diameter shall be 1/2" and the nominal cross-sectional area shall be 0.153 sq. in. Non-prestressing steel shall conform to AASHTO designation M-31 or M322 Grade 60. Lifting loops shall be 3-1/2" #270 ksi strands, as shown. Required release strength, f'cl, shall be 5,000 psi. Reinforcement bars designated (E) shall be epoxy coated.

**BEAM DETAILS (SPAN 1)**  
**F.A.P. RT. 836-SECTION (119BR)BR**  
**CHAMPAIGN COUNTY**  
**STATION 1015+21.00**  
**STRUCTURE NO. 010-0280**

DESIGNED Philip E. Coppernoll  
CHECKED Ray Ahanchi  
DRAWN R. Sommer  
CHECKED P.E.C./G.R.A.  
PI-4-54 9-1-03

December 1, 2004  
EXAMINED Thomas J. Demagala  
PASSED Ralph E. Anderson  
ENGINEER OF BRIDGES AND STRUCTURES

**DETAIL "A"**