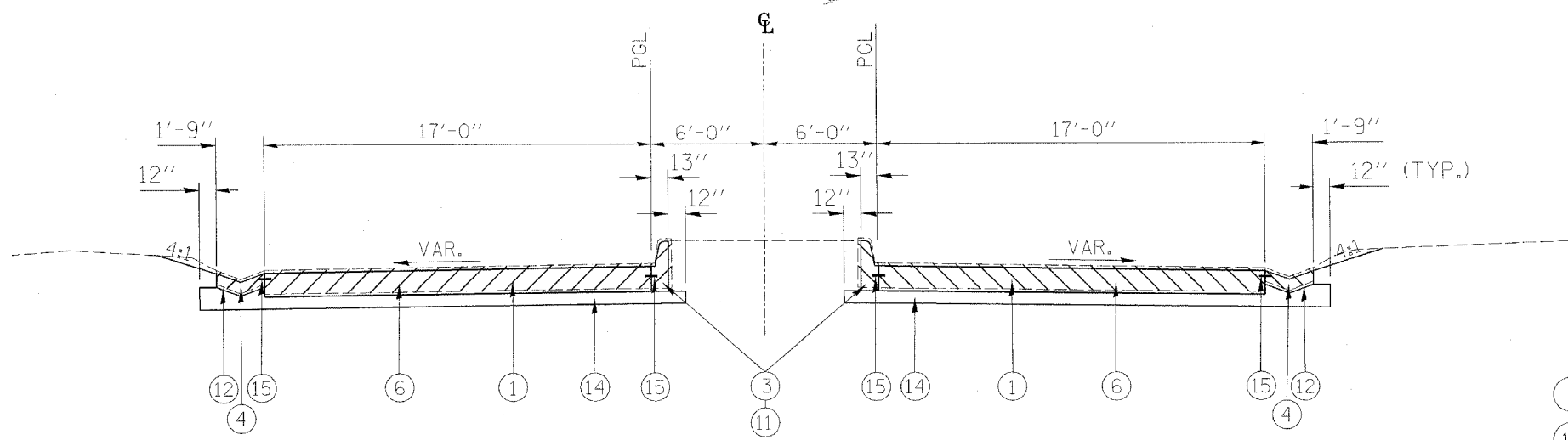
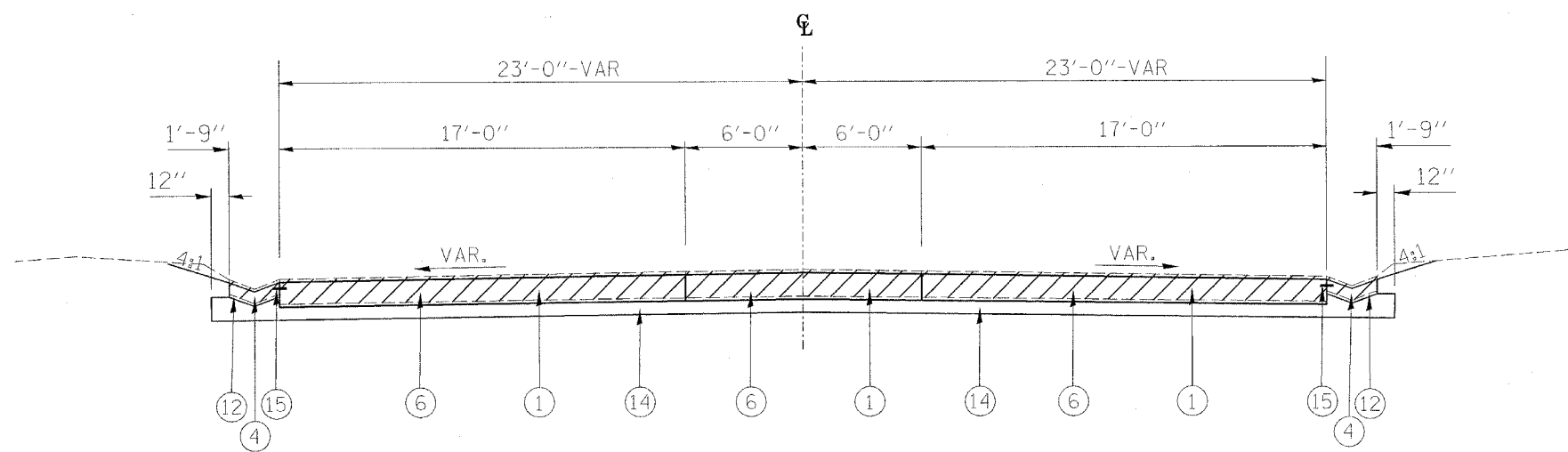


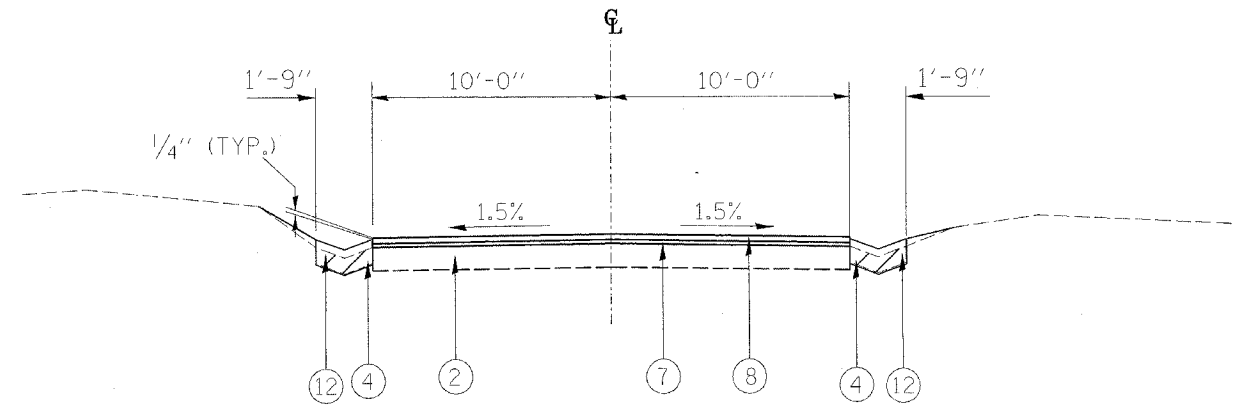
• PARK ROADS
 •• OAK RIDGE CEMETERY INTERNAL ROADS 2003
 CONTRACT NO. 72774



LINCOLN MEMORIAL DRIVE
 STA. 11+2.61 TO 12+81
 STA. 13+90 TO 14+12 - (ISLAND REMOVAL
 & P.C.C. PVMT REPLACEMENT)



LINCOLN MEMORIAL DRIVE
 STA. 12+81 TO 13+90
 STA. 14+12 TO 15+77.10



HONOR ROAD
 STA. 60+16 TO 64+89

LEGEND

- ① EXISTING P. C. C. PAVEMENT
- ①a EXISTING P. C. C. PAVEMENT, 2"
- ①b EXISTING AGGREGATE BASE, 6"
- ② EXISTING BITUMINOUS PAVEMENT
- ③ EXISTING CONCRETE CURB, TYPE B
- ④ EXISTING CONCRETE GUTTERS
- ⑤ EXISTING P. C. C. SIDEWALK 4"
- ⑥ PROPOSED P. C. C. PAVEMENT 8" (JOINTED) (STD 420101-02, 420106-02)
- ⑦ PROPOSED BITUMINOUS LEVELING BINDER SUPERPAVE, 1" AVERAGE
- ⑧ PROPOSED BIT. CONC. SURFACE COURSE SUPERPAVE, 1 1/2"
- ⑨ PROPOSED CONCRETE CURB, TYPE B SPECIAL-1"
- ⑩ PROPOSED CONCRETE CURB, TYPE B SPECIAL-4"
- ⑪ PROPOSED COMBINATION CONCRETE CURB & GUTTER, TYPE B-6.06 (STD 606001)
- ⑪a PROPOSED CONCRETE CURB, TYPE B-6" (STD 606001)
- ⑫ PROPOSED CONCRETE GUTTER, TYPE B (STD 606201)
- ⑬ PROPOSED P. C. C. SIDEWALK, 4"
- ⑭ PROPOSED SUB-BASE GRANULAR MATERIAL, TYPE A-4"
- ⑮ PROPOSED TIE BARS #6 AT 24" CENTERS

REVISIONS	
NAME	DATE

ILLINOIS DEPARTMENT OF TRANSPORTATION
 TYPICAL SECTIONS
 OAK RIDGE CEMETERY

SCALE: VERT. _____
 HORIZ. _____
 DATE 05-25-04
 DRAWN BY EJW
 CHECKED BY MSD