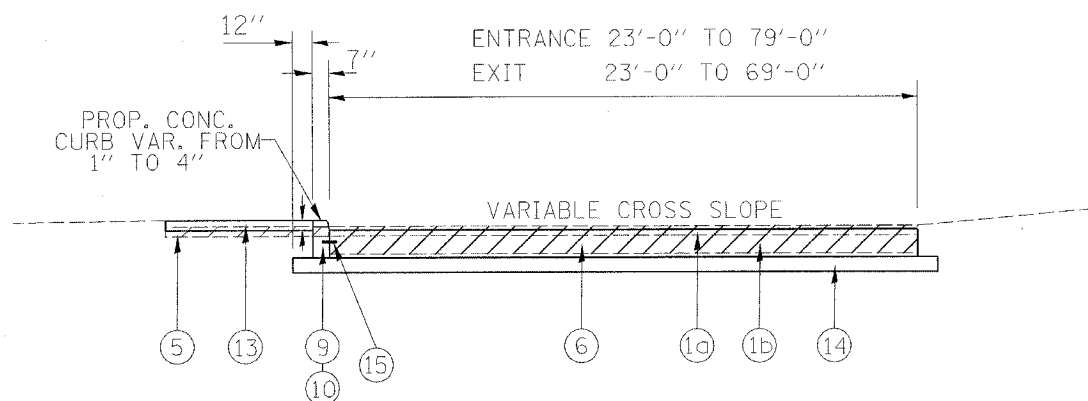
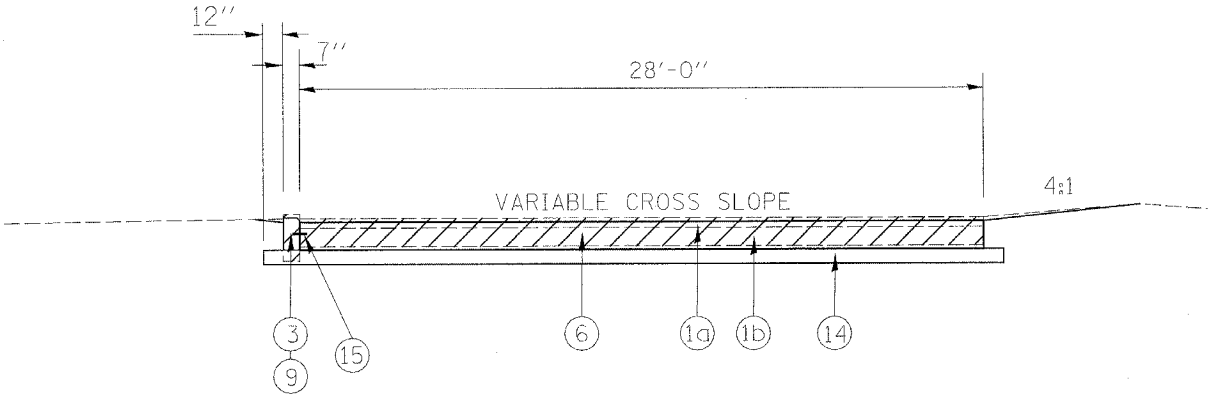


F.A. RTE.	SECTION	COUNTY	TOTAL SHEETS	SHEET NO.
•	••	SANGAMON	44	19
STA.		TO STA.		
FED. ROAD DIST. NO.	ILLINOIS	FED. AID PROJECT		

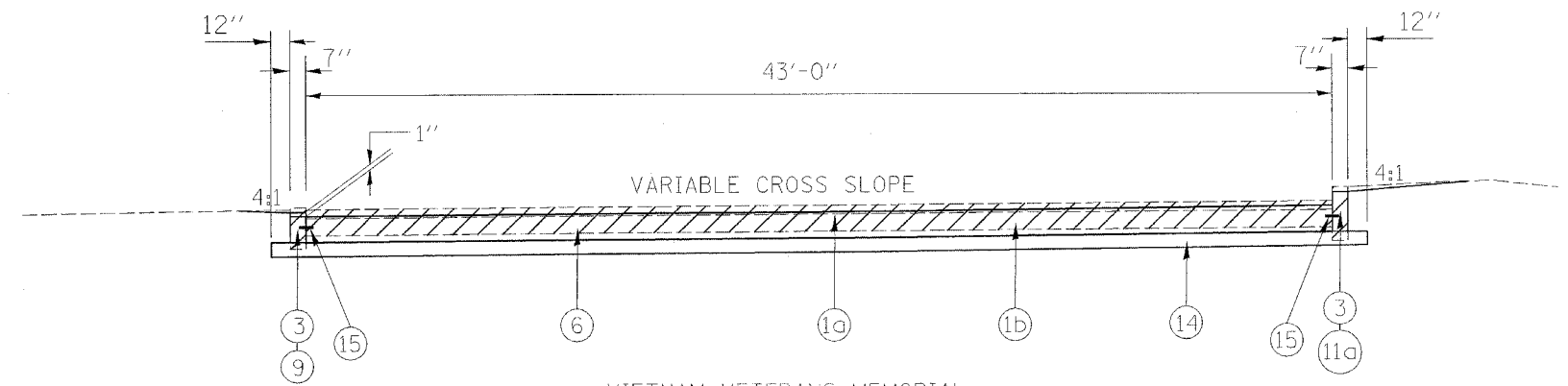
• PARK ROADS
 •• OAK RIDGE CEMETERY INTERNAL ROADS 2003
 CONTRACT NO. 72774



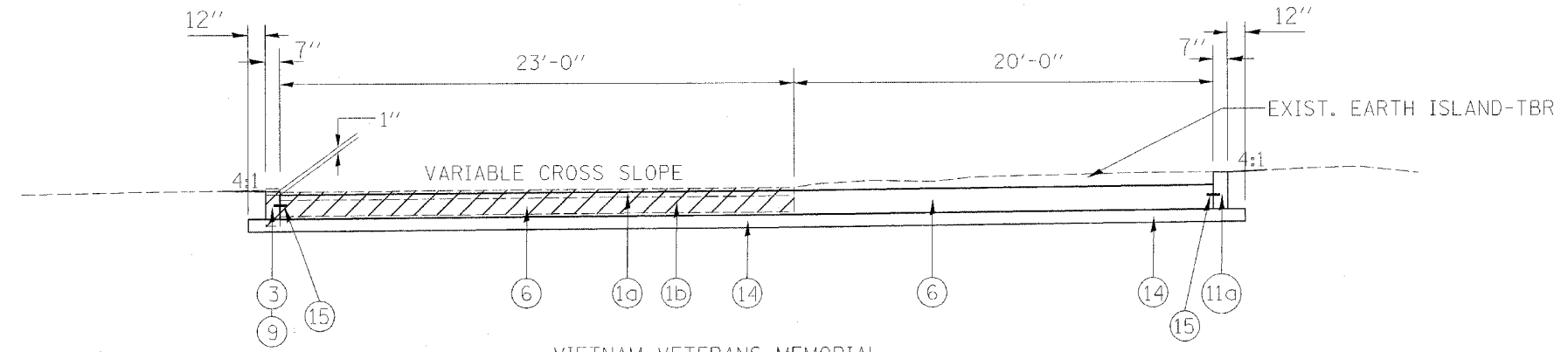
VIETNAM VETERANS MEMORIAL
 ENTRANCE TO PARKING LOT
 STA. 10+23.00 TO 11+13.05
 STA. 16+21.43 TO 17+11.32



VIETNAM VETERANS MEMORIAL
 PARKING LOT
 STA. 11+13.05 TO 11+48.85
 STA. 15+82.58 TO 16+21.43



VIETNAM VETERANS MEMORIAL
 PARKING LOT ISLAND REMOVAL DETAIL
 STA. 11+48.85 TO 12+87.94
 STA. 13+07.46 TO 14+27.38
 STA. 14+46.73 TO 15+82.58



VIETNAM VETERANS MEMORIAL
 PARKING LOT ISLAND REMOVAL DETAIL
 STA. 12+87.94 TO 13+07.46
 STA. 14+27.38 TO 14+46.73

LEGEND

- ① EXISTING P.C.C. PAVEMENT
- ①a EXISTING P.C.C. PAVEMENT, 2"
- ①b EXISTING AGGREGATE BASE, 6"
- ② EXISTING BITUMINOUS PAVEMENT
- ③ EXISTING CONCRETE CURB, TYPE B
- ④ EXISTING CONCRETE GUTTERS
- ⑤ EXISTING P.C.C. SIDEWALK 4"
- ⑥ PROPOSED P.C.C. PAVEMENT 8" (JOINTED) (STD 420101-02, 420106-02)
- ⑦ PROPOSED BITUMINOUS LEVELING BINDER SUPERPAVE, 1" AVERAGE
- ⑧ PROPOSED BIT. CONC. SURFACE COURSE SUPERPAVE, 1 1/2"
- ⑨ PROPOSED CONCRETE CURB, TYPE B SPECIAL-1"
- ⑩ PROPOSED CONCRETE CURB, TYPE B SPECIAL-4"
- ⑪ PROPOSED COMBINATION CONCRETE CURB & GUTTER, TYPE B-6.06 (STD 606001)
- ⑪a PROPOSED CONCRETE CURB, TYPE B-6" (STD 606001)
- ⑫ PROPOSED CONCRETE GUTTER, TYPE B (STD 606201)
- ⑬ PROPOSED P.C.C. SIDEWALK, 4"
- ⑭ PROPOSED SUB-BASE GRANULAR MATERIAL, TYPE A-4"
- ⑮ PROPOSED TIE BARS #6 AT 24" CENTERS

REVISIONS	
NAME	DATE

ILLINOIS DEPARTMENT OF TRANSPORTATION
 TYPICAL SECTIONS
 OAK RIDGE CEMETERY

SCALE: VERT. DRAWN BY EJW
 HORIZ. CHECKED BY MSD
 DATE 05-25-04