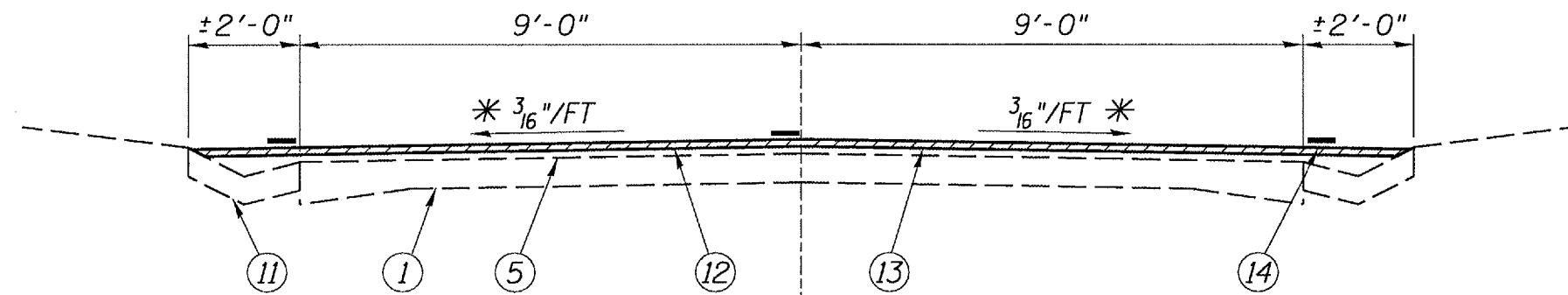


LOCATION #1
SBI 96 (WARSAW RD)
STA. 97+50 TO 135+00



LOCATION #1
SBI 96 (WARSAW RD)
STA. 93+00 TO 94+00

LEGEND

- 1 - EXIST. P.C.C. PAVEMENT 9"
- 2 - EXIST. P.C.C. PAVEMENT 9-6-9
- 3 - EXIST. BIT. CONC. SHOULDER 6"
- 4 - EXIST. BIT. CONC. 5 1/4"
- 5 - EXIST. BIT. CONC. 3"
- 6 - EXIST. AGG. SHOULDER
- 7 - EXIST. AGG. BASE 12"
- 8 - EXIST. BIT. CONC. PAVEMENT 13"
- 9 - EXIST. BIT. CONC. PAVEMENT 8 1/2"
- 10 - EXIST. BIT. CONC. SHOULDER 8"
- 11 - EXIST. CONC. GUTTER, TYPE A
- 12 - PROP. BIT. SURF. REMOVAL 1 1/2"
- 13 - PROP. BIT. CONC. SURF. CRSE. SUPERPAVE, MIX C, N50 1 1/2"
- 14 - PROP. PAINT PAVMENT MARKING - LINE 5"

* IN AREAS OF SUPERELEVATION,
PROPOSED PAVEMENT SURFACE
SHALL MATCH EXIST. SUPERELEVATION

TYPICAL SECTIONS
SBI 96 2 3.850 (WARSAW RD)/FAP 506 (IL 96)
SECTION 123RS-5
HANCOCK COUNTY