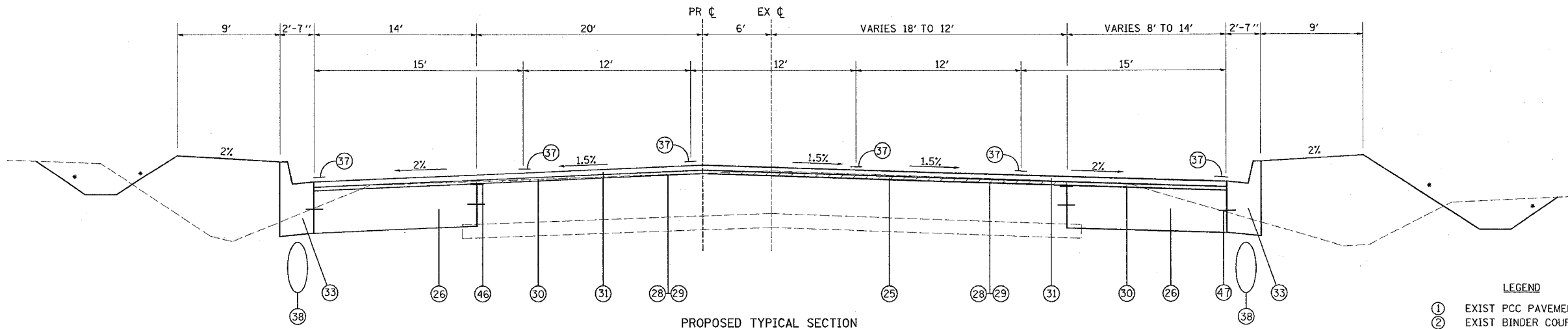


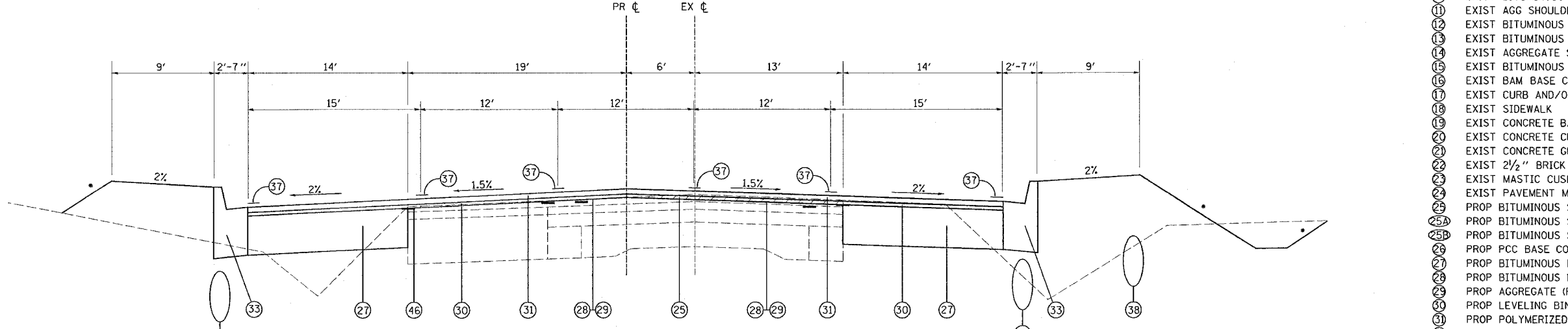
FAP ROUTE	SECTION	COUNTY	TOTAL SHEETS	SHEET NO
586	60R-2,37R-1	MADISON	502	17
STA. 512+28.6		TO STA. 547+43.42		
CONTRACT NO: 76301				

DATE	
BY	
DESIGNED	
CHECKED	
IN CHARGE	
NO. OF WAYS CHECKED	
NO. OF FILES	
NO. OF SHEETS	



**PROPOSED TYPICAL SECTION**  
STA. 512+28.6 TO STA. 518+64.80

**OMISSION**  
STA. 518+64.80 TO STA. 531+96.73



**PROPOSED TYPICAL SECTION**  
STA. 531+96.73 TO STA. 547+43.42

- LEGEND**
- ① EXIST PCC PAVEMENT (9'-7"-9')
  - ② EXIST BINDER COURSE, 2 1/4"
  - ③ EXIST BITUMINOUS RESURFACING (VARIES)
  - ④ EXIST BITUMINOUS WIDENING, 9"
  - ⑤ EXIST JOINTED REINFORCED PCC PAVEMENT, 12 1/4"
  - ⑥ EXIST SUB-BASE
  - ⑦ EXIST CONCRETE MEDIAN TYPE SB-6.12 (TBR)
  - ⑧ EXIST PIPE UNDERDRAINS, 4" (TBR)
  - ⑨ EXIST BITUMINOUS SHOULDER 12 1/4" (TBR)
  - ⑩ EXIST BITUMINOUS SHOULDER, 6" (TBR)
  - ⑪ EXIST AGG SHOULDER, TYPE B WEDGE (TBR)
  - ⑫ EXIST BITUMINOUS BASE COURSE, 12 1/2"
  - ⑬ EXIST BITUMINOUS BASE COURSE, 10 1/2"
  - ⑭ EXIST AGGREGATE SHOULDER, 6" (TBR)
  - ⑮ EXIST BITUMINOUS CONCRETE BINDER COURSE, 1 3/4"
  - ⑯ EXIST BAM BASE COURSE, 6"
  - ⑰ EXIST CURB AND/OR CURB AND GUTTER
  - ⑱ EXIST SIDEWALK
  - ⑲ EXIST CONCRETE BASE COURSE
  - ⑳ EXIST CONCRETE CURB
  - ㉑ EXIST CONCRETE GUTTER, TYPE A
  - ㉒ EXIST 2 1/2" BRICK SURFACE
  - ㉓ EXIST MASTIC CUSHION
  - ㉔ EXIST PAVEMENT MARKING
  - ㉕ PROP BITUMINOUS SURFACE REMOVAL (VAR DEPTH)
  - ㉖ PROP BITUMINOUS SURFACE REMOVAL (1")
  - ㉗ PROP BITUMINOUS SURFACE REMOVAL (1 1/2")
  - ㉘ PROP PCC BASE COURSE, 12 1/4"
  - ㉙ PROP BITUMINOUS BINDER COURSE SUPERPAVE, IL 19.0, N90, 1 1/2"
  - ㉚ PROP BITUMINOUS MATERIALS (PRIME COAT)
  - ㉛ PROP AGGREGATE (PRIME COAT)
  - ㉜ PROP LEVELING BINDER (MM), SUPERPAVE N90, 1"
  - ㉝ PROP POLYMERIZED BIT SURFACE COURSE, SUPERPAVE, MIX E, N90, 1 1/2"
  - ㉞ PROP CONCRETE MEDIAN SURFACE, 4"
  - ㉟ PROP COMB CONCRETE CURB AND GUTTER, TYPE B-6.24
  - ㊱ PROP COMB CONCRETE CURB AND GUTTER, TYPE B-6.12
  - ㊲ PROP COMB CONCRETE CURB AND GUTTER, TYPE M-6.06
  - ㊳ PROP COMB CONCRETE CURB AND GUTTER, TYPE M-6.24
  - ㊴ PROP THERMOPLASTIC PAVEMENT MARKING
  - ㊵ PROP STORM SEWER
  - ㊶ PROP LEVELING BINDER (MM), SUPERPAVE N70, 3/4"
  - ㊷ PROP POLYMERIZED BIT SURFACE COURSE, SUPERPAVE, MIX E, N70, 1 1/2"
  - ㊸ PROP BITUMINOUS SHOULDER, 8"
  - ㊹ PROP AGGREGATE SHOULDER TYPE A
  - ㊺ PROP GUTTER, TYPE A
  - ㊻ PROP PCC SIDEWALK, 4"
  - ㊼ PROP PCC PAVEMENT, 8"
  - ㊽ PROP STRIP REFLECTIVE CRACK CONTROL
  - ㊾ PROP TIE BAR

STA. 507+89.54 TO STA. 518+64.80

STRUCTURAL DESIGN TRAFFIC:	Year: 2015
PV = 24111	SU = 3002 MU = 4487
ROAD/STREET CLASSIFICATION:	Class I
PERCENT OF STRUCTURAL DESIGN TRAFFIC IN DESIGN LANE:	
P = 32	S = 45 M = 45
TRAFFIC FACTOR:	Actual TF = 32.03 AC Type = 20
	Minimum TF = 6.03
PG GRADE: Binder = 64-22	Surface = 70-22
SUBGRADE SUPPORT RATING:	
IBR = 3	

STA. 531+96.73 TO STA. 577+62.26

STRUCTURAL DESIGN TRAFFIC:	Year: 2015
PV = 29988	SU = 1138 MU = 474
ROAD/STREET CLASSIFICATION:	Class I
PERCENT OF STRUCTURAL DESIGN TRAFFIC IN DESIGN LANE:	
P = 32	S = 45 M = 45
TRAFFIC FACTOR:	Actual TF = 3.44 AC Type = 20
	Minimum TF = 4.27
PG GRADE: Binder = 64-22	Surface = 70-22
SUBGRADE SUPPORT RATING:	
SSR = POOR	

• SEE CROSS SECTIONS FOR SLOPE

REVISIONS	
NAME	DATE

ILLINOIS DEPARTMENT OF TRANSPORTATION  
**TYPICAL SECTIONS**

FAP ROUTE 586 (IL 162)  
SECTION 60R-2,37R-1  
MADISON COUNTY

DRAWN BY:

11/30/2004  
Tuesday, November 30, 2004 @ 1:40:05 PM  
C:\p\3\37\2\37R-1\typical\typical.dwg, LV1-83