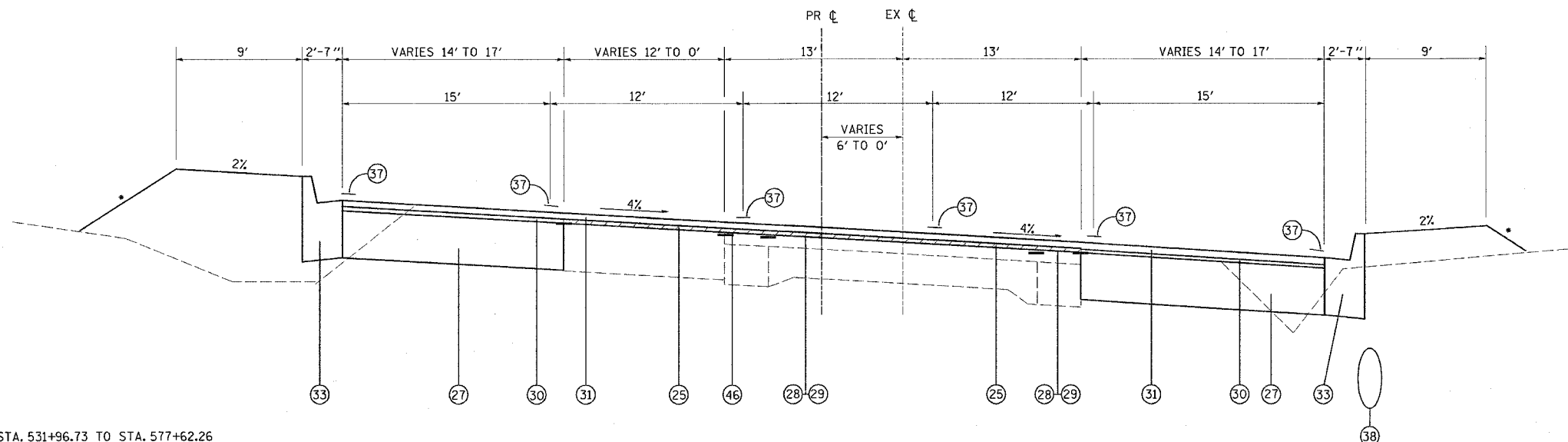


PROPOSED TYPICAL SECTION
 STA. 556+06.04 TO STA. 559+78.55

LEGEND

- 1 EXIST PCC PAVEMENT (9'-7"-9")
- 2 EXIST BINDER COURSE, 2 1/4"
- 3 EXIST BITUMINOUS RESURFACING (VARIES)
- 4 EXIST BITUMINOUS WIDENING, 9"
- 5 EXIST JOINTED REINFORCED PCC PAVEMENT, 12 1/4"
- 6 EXIST SUB-BASE
- 7 EXIST CONCRETE MEDIAN TYPE SB-6.12 (TBR)
- 8 EXIST PIPE UNDERDRAINS, 4" (TBR)
- 9 EXIST BITUMINOUS SHOULDER 12 1/4" (TBR)
- 10 EXIST BITUMINOUS SHOULDER, 6" (TBR)
- 11 EXIST AGG SHOULDER, TYPE B WEDGE (TBR)
- 12 EXIST BITUMINOUS BASE COURSE, 12 1/2"
- 13 EXIST BITUMINOUS BASE COURSE, 10 1/2"
- 14 EXIST AGGREGATE SHOULDER, 6" (TBR)
- 15 EXIST BITUMINOUS CONCRETE BINDER COURSE, 1 3/4"
- 16 EXIST BAM BASE COURSE, 6"
- 17 EXIST CURB AND/OR CURB AND GUTTER
- 18 EXIST SIDEWALK
- 19 EXIST CONCRETE BASE COURSE
- 20 EXIST CONCRETE CURB
- 21 EXIST CONCRETE GUTTER, TYPE A
- 22 EXIST 2 1/2" BRICK SURFACE
- 23 EXIST MASTIC CUSHION
- 24 EXIST PAVEMENT MARKING
- 25 PROP BITUMINOUS SURFACE REMOVAL (VAR DEPTH)
- 25A PROP BITUMINOUS SURFACE REMOVAL (1")
- 25B PROP BITUMINOUS SURFACE REMOVAL (1 1/2")
- 26 PROP PCC BASE COURSE, 12 1/4"
- 27 PROP BITUMINOUS BINDER COURSE SUPERPAVE, IL 19.0, N90, 1 1/2"
- 28 PROP BITUMINOUS MATERIALS (PRIME COAT)
- 29 PROP AGGREGATE (PRIME COAT)
- 30 PROP LEVELING BINDER (MM), SUPERPAVE N90, 1"
- 31 PROP POLYMERIZED BIT SURFACE COURSE, SUPERPAVE, MIX E, N90, 1 1/2"
- 32 PROP CONCRETE MEDIAN SURFACE, 4"
- 33 PROP COMB CONCRETE CURB AND GUTTER, TYPE B-6.24
- 34 PROP COMB CONCRETE CURB AND GUTTER, TYPE B-6.12
- 35 PROP COMB CONCRETE CURB AND GUTTER, TYPE M-6.06
- 36 PROP COMB CONCRETE CURB AND GUTTER, TYPE M-6.24
- 37 PROP THERMOPLASTIC PAVEMENT MARKING
- 38 PROP STORM SEWER
- 39 PROP LEVELING BINDER (MM), SUPERPAVE N70, 3/4"
- 40 PROP POLYMERIZED BIT SURFACE COURSE, SUPERPAVE, MIX E, N70, 1 1/2"
- 41 PROP BITUMINOUS SHOULDER, 8"
- 42 PROP AGGREGATE SHOULDER TYPE A
- 43 PROP GUTTER, TYPE A
- 44 PROP PCC SIDEWALK, 4"
- 45 PROP PCC PAVEMENT, 8"
- 46 PROP STRIP REFLECTIVE CRACK CONTROL
- 47 PROP TIE BAR



PROPOSED SUPERELEVATED SECTION
 STA. 559+78.55 TO STA. 568+18.23

STA. 531+96.73 TO STA. 577+62.26

STRUCTURAL DESIGN TRAFFIC:	Year: 2015
PV = 29988	SU= 1138 MU= 474
ROAD/STREET CLASSIFICATION:	Class I
PERCENT OF STRUCTURAL DESIGN TRAFFIC IN DESIGN LANE:	
P = 32	S = 45 M = 45
TRAFFIC FACTOR:	Actual TF = 3.44 AC Type = 20
	Minimum TF = 4.27
PG GRADE: Binder = 64-22	Surface = 70-22
SUBGRADE SUPPORT RATING:	SSR = POOR

• SEE CROSS SECTIONS FOR SLOPE

REVISIONS	
NAME	DATE

ILLINOIS DEPARTMENT OF TRANSPORTATION
TYPICAL SECTIONS

FAP ROUTE 586 (IL 162)
 SECTION 60R-2,37R-1
 MADISON COUNTY

DRAWN BY:

DATE
 BY
 CHECKED
 APPROVED
 PLAIN
 NOTE BOOK
 NO.