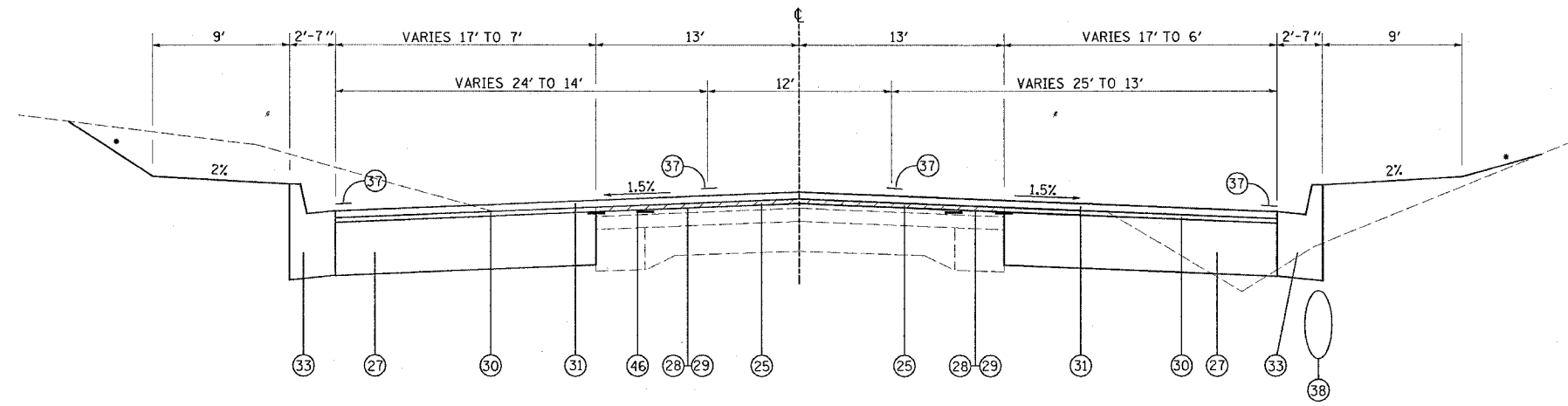
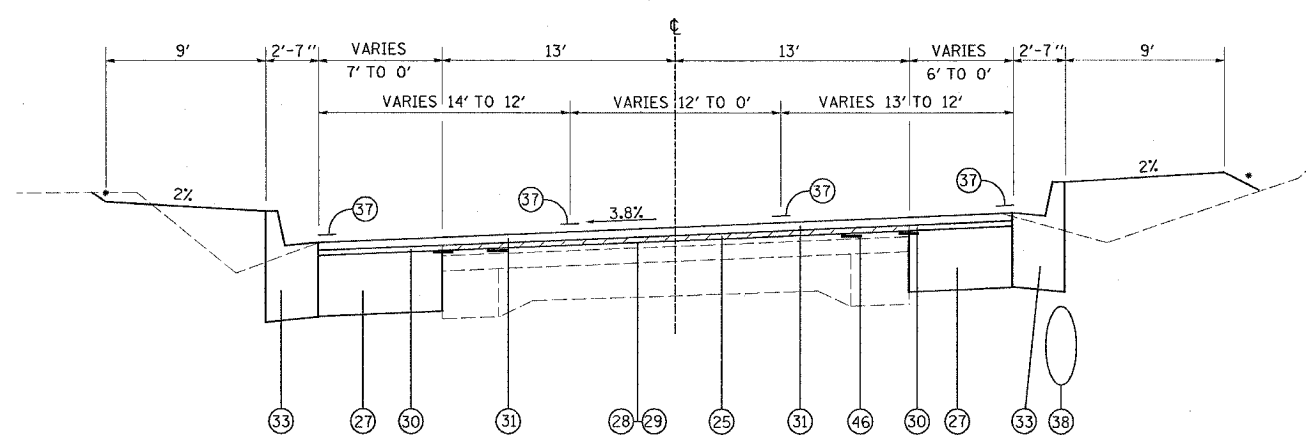


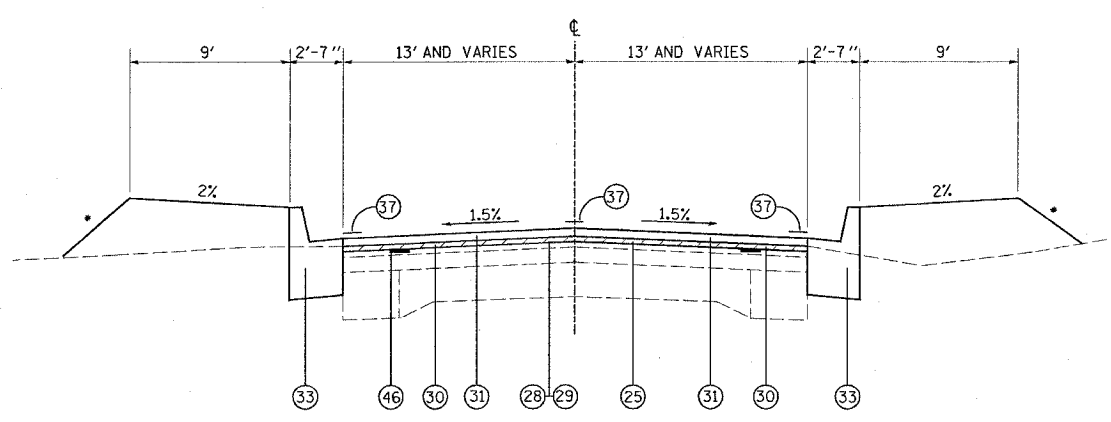
FAP ROUTE	SECTION	COUNTY	TOTAL SHEETS	SHEET NO
586	60R-2,37R-1	MADISON	502	19
STA. 568+18.23		TO STA. 582+31.21		
CONTRACT NO: 76301				



PROPOSED TYPICAL SECTION
STA. 568+18.23 TO STA. 572+89.72



PROPOSED SUPERELEVATED SECTION
STA. 572+89.72 TO STA. 577+62.26



PROPOSED TYPICAL SECTION
STA. 577+62.26 TO STA. 582+31.21

- LEGEND**
- ① EXIST PCC PAVEMENT (9'-7"-9')
 - ② EXIST BINDER COURSE, 2 1/4"
 - ③ EXIST BITUMINOUS RESURFACING (VARIES)
 - ④ EXIST BITUMINOUS WIDENING, 9"
 - ⑤ EXIST JOINTED REINFORCED PCC PAVEMENT, 12 1/4"
 - ⑥ EXIST SUB-BASE
 - ⑦ EXIST CONCRETE MEDIAN TYPE SB-6.12 (TBR)
 - ⑧ EXIST PIPE UNDERDRAINS, 4" (TBR)
 - ⑨ EXIST BITUMINOUS SHOULDER 12 1/4" (TBR)
 - ⑩ EXIST BITUMINOUS SHOULDER, 6" (TBR)
 - ⑪ EXIST AGG SHOULDER, TYPE B WEDGE (TBR)
 - ⑫ EXIST BITUMINOUS BASE COURSE, 12 1/2"
 - ⑬ EXIST BITUMINOUS BASE COURSE, 10 1/2"
 - ⑭ EXIST AGGREGATE SHOULDER, 6" (TBR)
 - ⑮ EXIST BITUMINOUS CONCRETE BINDER COURSE, 1 3/4"
 - ⑯ EXIST BAM BASE COURSE, 6"
 - ⑰ EXIST CURB AND/OR CURB AND GUTTER
 - ⑱ EXIST SIDEWALK
 - ⑲ EXIST CONCRETE BASE COURSE
 - ⑳ EXIST CONCRETE CURB
 - ㉑ EXIST CONCRETE GUTTER, TYPE A
 - ㉒ EXIST 2 1/2" BRICK SURFACE
 - ㉓ EXIST MASTIC CUSHION
 - ㉔ EXIST PAVEMENT MARKING
 - ㉕ PROP BITUMINOUS SURFACE REMOVAL (VAR DEPTH)
 - ㉖ PROP BITUMINOUS SURFACE REMOVAL (1")
 - ㉗ PROP BITUMINOUS SURFACE REMOVAL (1 1/2")
 - ㉘ PROP PCC BASE COURSE, 12 1/4"
 - ㉙ PROP BITUMINOUS BINDER COURSE SUPERPAVE, IL 19.0, N90, 11 1/2"
 - ㉚ PROP BITUMINOUS MATERIALS (PRIME COAT)
 - ㉛ PROP AGGREGATE (PRIME COAT)
 - ㉜ PROP LEVELING BINDER (MM), SUPERPAVE N90, 1"
 - ㉝ PROP POLYMERIZED BIT SURFACE COURSE, SUPERPAVE, MIX E, N90, 1 1/2"
 - ㉞ PROP CONCRETE MEDIAN SURFACE, 4"
 - ㉟ PROP COMB CONCRETE CURB AND GUTTER, TYPE B-6.24
 - ㊱ PROP COMB CONCRETE CURB AND GUTTER, TYPE B-6.12
 - ㊲ PROP COMB CONCRETE CURB AND GUTTER, TYPE M-6.06
 - ㊳ PROP COMB CONCRETE CURB AND GUTTER, TYPE M-6.24
 - ㊴ PROP THERMOPLASTIC PAVEMENT MARKING
 - ㊵ PROP STORM SEWER
 - ㊶ PROP LEVELING BINDER (MM), SUPERPAVE N70, 3/4"
 - ㊷ PROP POLYMERIZED BIT SURFACE COURSE, SUPERPAVE, MIX E, N70, 1 1/2"
 - ㊸ PROP BITUMINOUS SHOULDER, 8"
 - ㊹ PROP AGGREGATE SHOULDER TYPE A
 - ㊺ PROP GUTTER, TYPE A
 - ㊻ PROP PCC SIDEWALK, 4"
 - ㊼ PROP PCC PAVEMENT, 8"
 - ㊽ PROP STRIP REFLECTIVE CRACK CONTROL
 - ㊾ PROP TIE BAR

STA. 531+96.73 TO STA. 577+62.26

STRUCTURAL DESIGN TRAFFIC:	Year: 2015
PV = 29988	SU= 1138 MU= 474
ROAD/STREET CLASSIFICATION:	Class I
PERCENT OF STRUCTURAL DESIGN TRAFFIC IN DESIGN LANE:	
P = 32	S = 45 M = 45
TRAFFIC FACTOR:	Actual TF = 3.44 AC Type = 20
	Minimum TF = 4.27
PG GRADE: Binder = 64-22	Surface = 70-22
SUBGRADE SUPPORT RATING:	
SSR = POOR	

• SEE CROSS SECTIONS FOR SLOPE

REVISIONS	
NAME	DATE

ILLINOIS DEPARTMENT OF TRANSPORTATION
TYPICAL SECTIONS

FAP ROUTE 586 (IL 162)
SECTION 60R-2,37R-1
MADISON COUNTY

DRAWN BY:

DATE: _____
BY: _____
CHECKED: _____
DATE: _____
BY: _____
DATE: _____
BY: _____

7/2/2004
Friday, July 02, 2004 @ 7:30:45 AM
c:\p\garcia\road\p\plan\p\rd\855adg\ Lvl=63