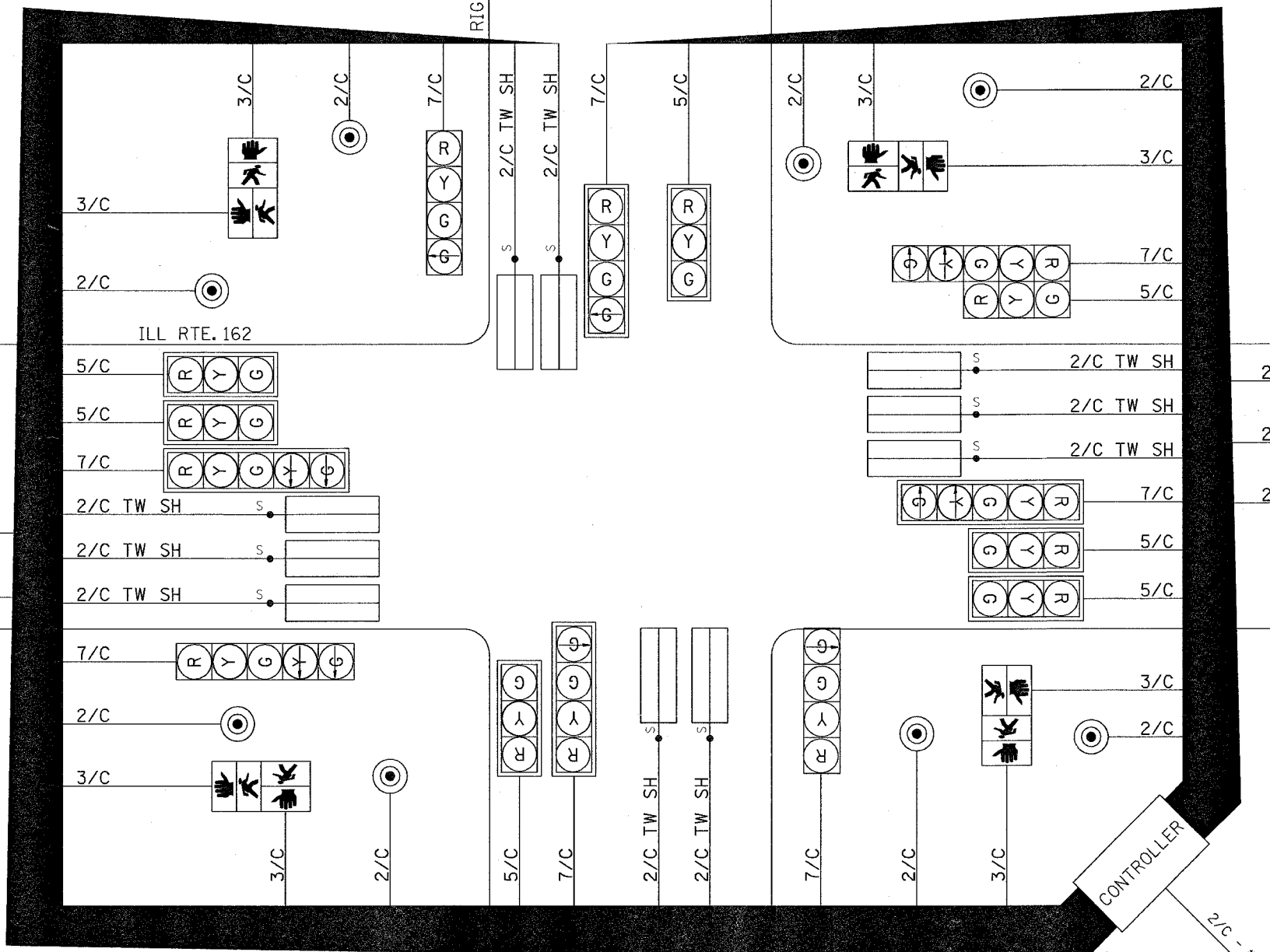
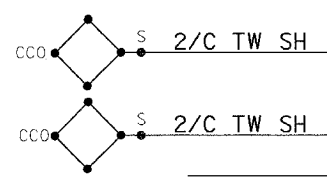
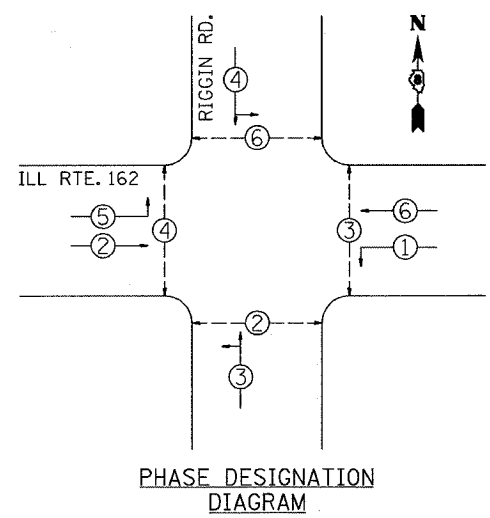


FAP ROUTE	SECTION	COUNTY	TOTAL SHEETS	SHEET NO.
586	60R-2, 37R-1	MADISON	502	224
STA. TO STA.		EXISTING CONDITIONS:		
		CONTRACT 76301		

**CABLE DIAGRAM LEGEND**

- ELECTRIC CABLE IN CONDUIT
- CABLE SPLICE (SEE GENERAL NOTES)
- 2/C INDICATES NUMBER OF CONDUCTORS IN CABLE
- CCO CALL CARRY OVER (SEE GENERAL NOTES)
- CALL DELAY (SEE GENERAL NOTES)
- INDICATES AMERICAN WIRE GAUGE (AWG) SIZE 6 CONDUCTORS (SEE GENERAL NOTES)
- PROPOSED PEDESTRIAN PUSHBUTTON DETECTOR
- PROPOSED PEDESTRIAN SIGNAL HEAD
- PROPOSED SIGNAL HEAD WITH BACKPLATE

PLAN	SURVEYED	DATE
NOTE BOOK	PLOTTED	BY
NO.	FILED	
	NO. OF DAYS CHECKED	
	CADD FILE NAME	



CONTROLLER

FULL-ACTUATED CONTROLLER SEQUENCE  
8 PHASES IN TYPE IV CABINET

PROPOSED SEQUENCE OF OPERATION								
PHASE	1	2	3	4	5	6	7	8
MOVEMENT							NOT	NOT
CONCURRENT MOVEMENT PERMITTED	5 OR 6	5 OR 6			1 OR 2	1 OR 2	USED	USED

\* PEDESTRIAN INTERVAL PUSHBUTTON ACTIVATED



REVISIONS	
NAME	DATE

ILLINOIS DEPARTMENT OF TRANSPORTATION  
CABLE PLAN  
PHASE DESIGNATION DIAGRAM  
CONTROLLER SEQUENCE  
FAP 586  
SECTION 60R-2, 37R-1  
MADISON COUNTY  
DRAWN BY:

6/30/2004 9:51:59 AM C:\projects\60R-2, 37R-1\electrical\phd0226.dgn LV1-63