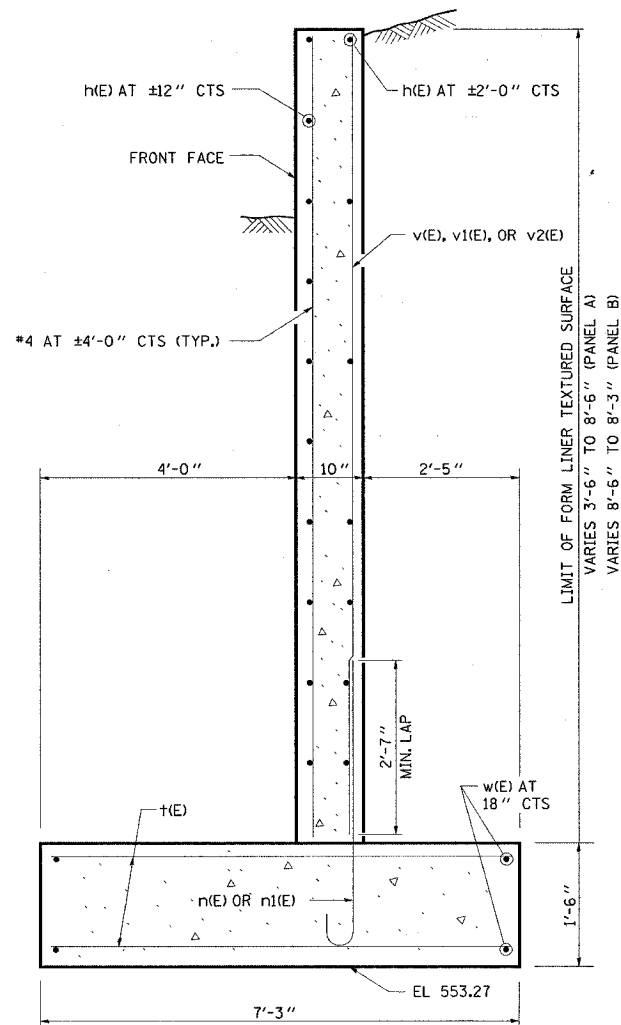
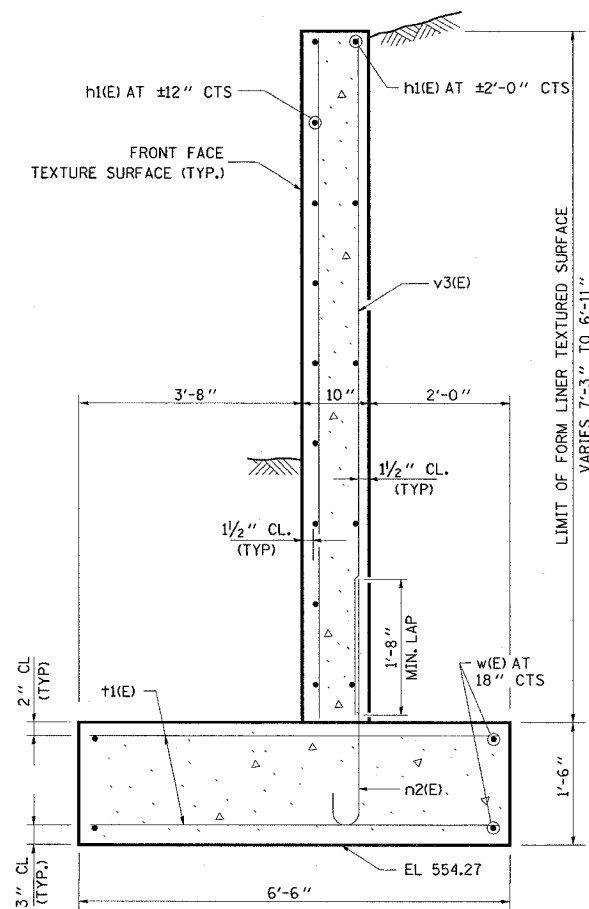


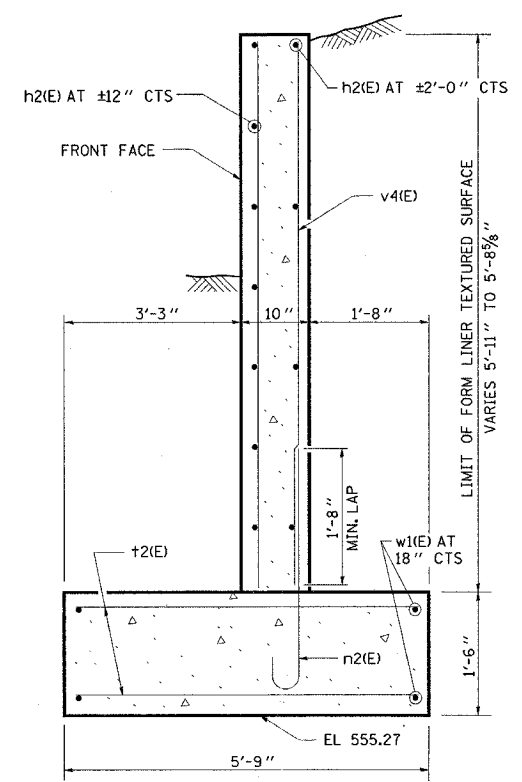
DATE	
BY	
REVISIONS	
NO.	
DESCRIPTION	



SECTION A-A



SECTION B-B

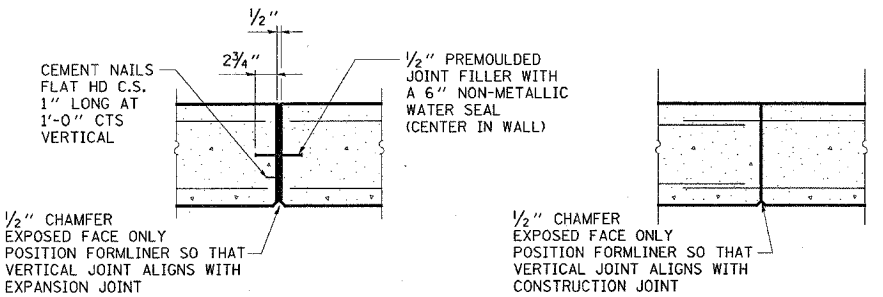


SECTION C-C

BILL OF MATERIAL

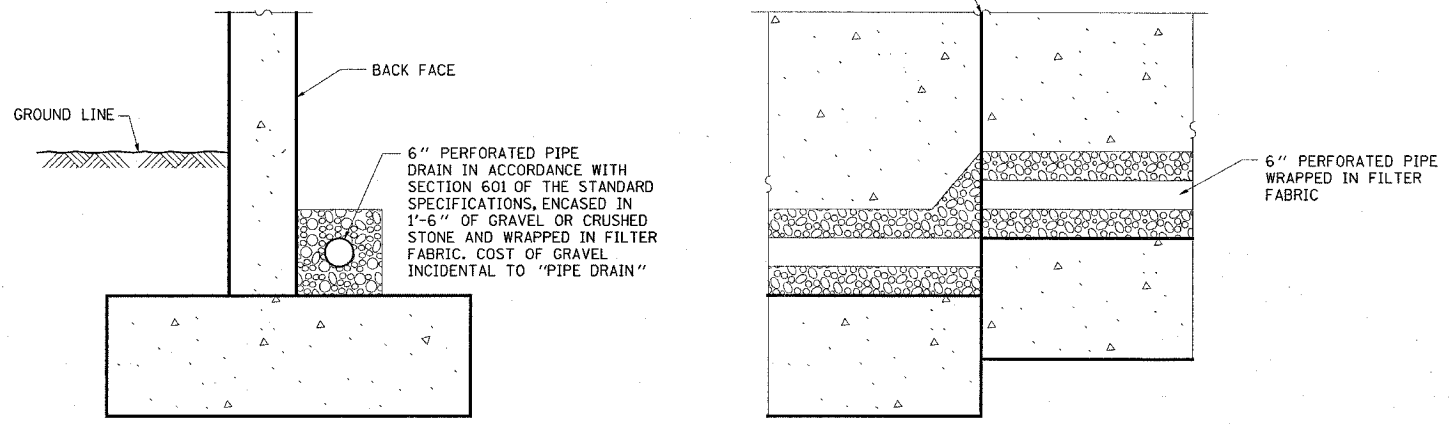
BAR	NO.	SIZE	LENGTH (FT)	SHAPE
h(E)	28	#4	24'-6"	—
h1(E)	13	#4	26'-8"	—
h2(E)	10	#4	16'-8"	—
n(E)	12	#6	5'-0"	⌋
n1(E)	12	#6	7'-0"	⌋
n2(E)	53	#4	4'-0"	⌋
t(E)	148	#4	6'-11"	—
t1(E)	60	#4	6'-2"	—
t2(E)	28	#4	5'-5"	—
v(E)	6	#4	8'-7"	—
v1(E)	12	#4	5'-6"	—
v2(E)	39	#4	7'-10"	—
v3(E)	40	#4	6'-6"	—
v4(E)	23	#4	5'-4"	—
w(E)	15	#4	24'-8"	—
w1(E)	4	#4	14'-8"	—
REINFORCEMENT BARS, EPOXY COATED		POUNDS	3016	
PIPE DRAIN		FT	90	
CONCRETE STRUCTURES		CU. YD.	53.2	
FORMED LINER TEXT SURFACE		SQ. FT.	624	

REINFORCEMENT BARS DESIGNATED (E) SHALL BE EPOXY COATED.

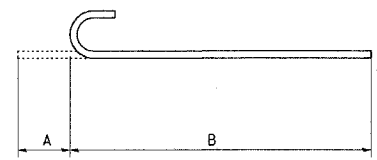


EXPANSION JOINT DETAIL

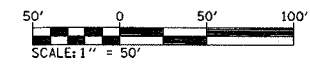
CONSTRUCTION JOINT DETAIL



WALL DRAINAGE DETAILS



	A	B
n(E)	8"	4'-4"
n1(E)	8"	6'-4"
n2(E)	6"	3'-6"



ILLINOIS DEPARTMENT OF TRANSPORTATION
RETAINING WALL DETAILS

FAP ROUTE 586
SECTION 60R-2, 37R-1
MADISON COUNTY

REVISIONS	
NAME	DATE

DRAWN BY: