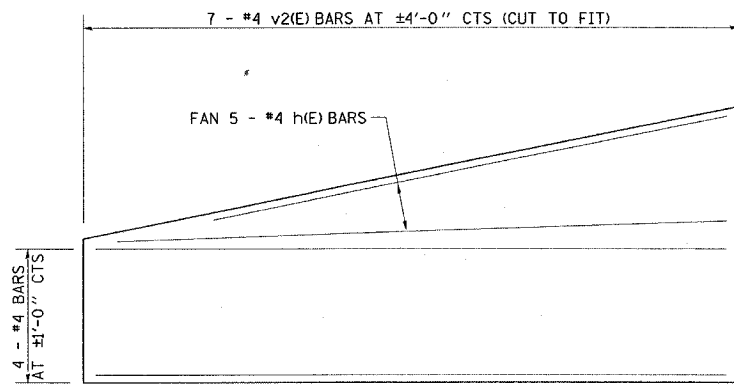
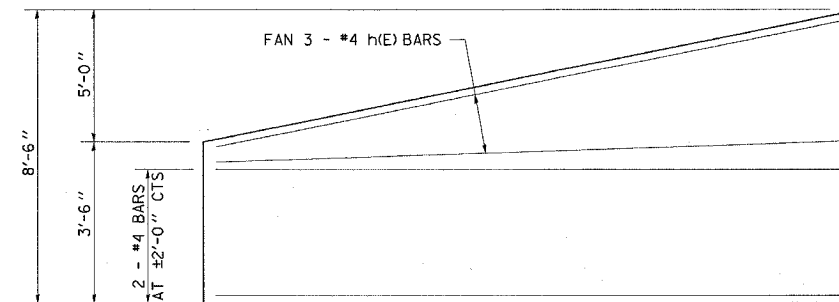


FAP ROUTE	SECTION	COUNTY	TOTAL SHEETS	SHEET NO.
586	60R-2, 37R-1	MADISON	502	231
STA.		TO STA.		
CONTRACT NO: 76301				



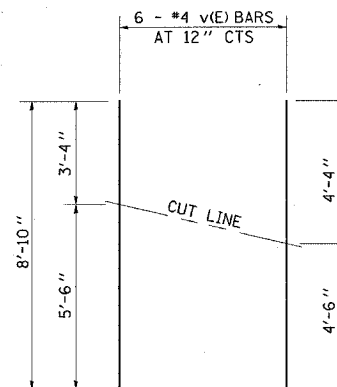
PANEL A (SHOWING FRONT FACE REINFORCEMENT)

DETAIL "A"



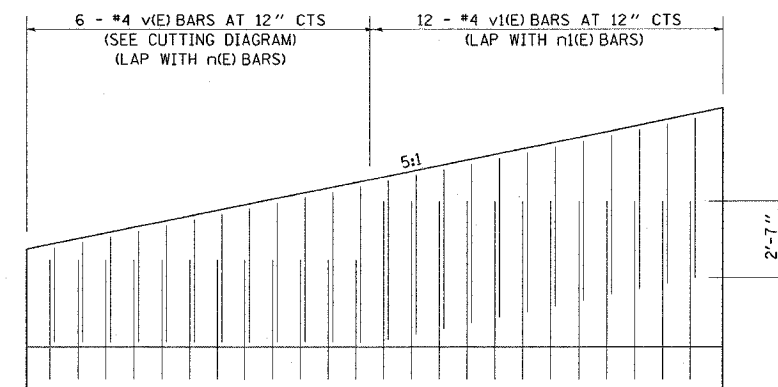
PANEL A (SHOWING BACK FACE HORIZONTAL REINFORCEMENT)

DETAIL "B"



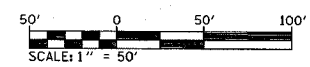
FIELD CUTTING DIAGRAM

ORDER v(E) BARS FULL LENGTH AND CUT TO FIT AS SHOWN. USE ALL BARS IN BACK FACE IN ASCENDING ORDER.



TYPICAL VERTICAL BAR PLACEMENT - PANEL A (BACK FACE)

DETAIL "C"



ILLINOIS DEPARTMENT OF TRANSPORTATION
RETAINING WALL DETAILS

FAP ROUTE 586
SECTION 60R-2, 37R-1
MADISON COUNTY

DRAWN BY:

REVISIONS	
NAME	DATE

PLOT DATE: Friday July 02, 2004 @ 8:08:32 AM

PLAN	DATE
BY	
CHECKED	
APPROVED	
NO.	