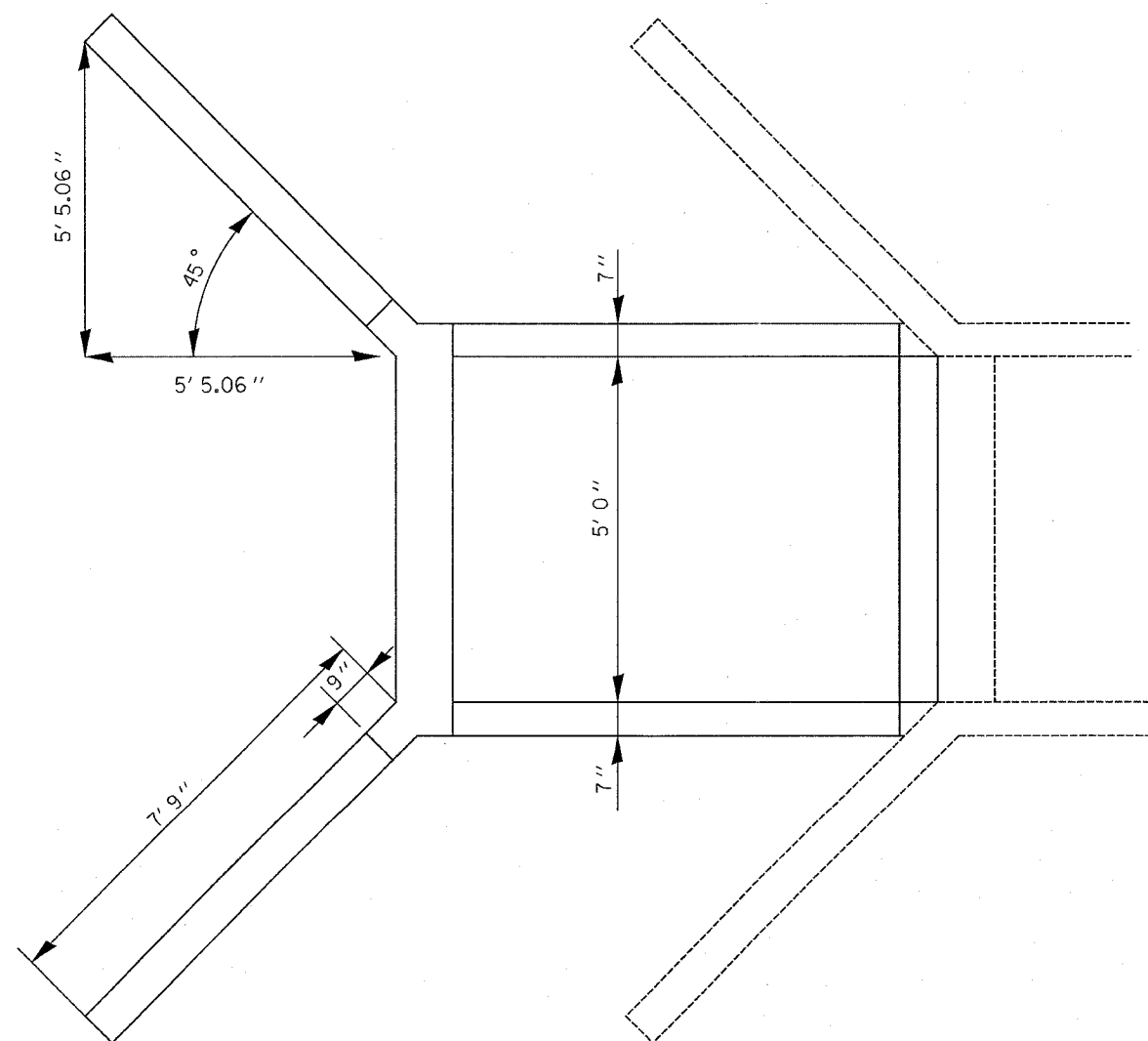
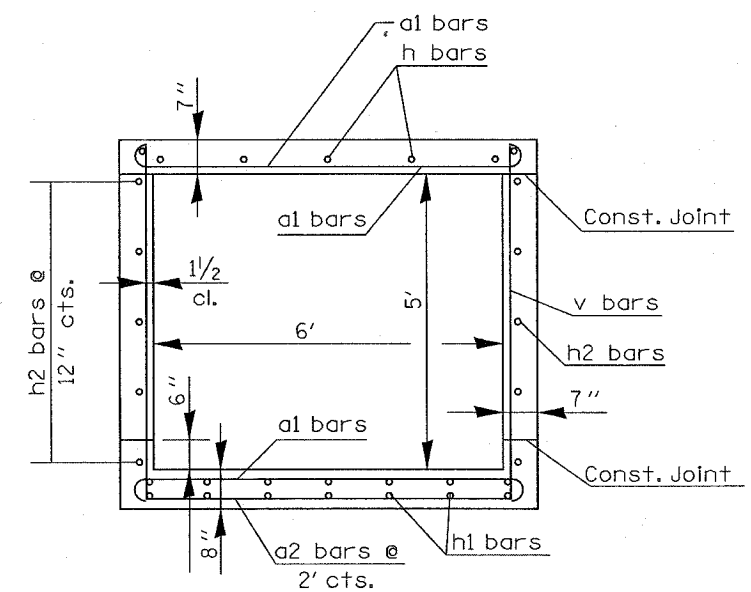
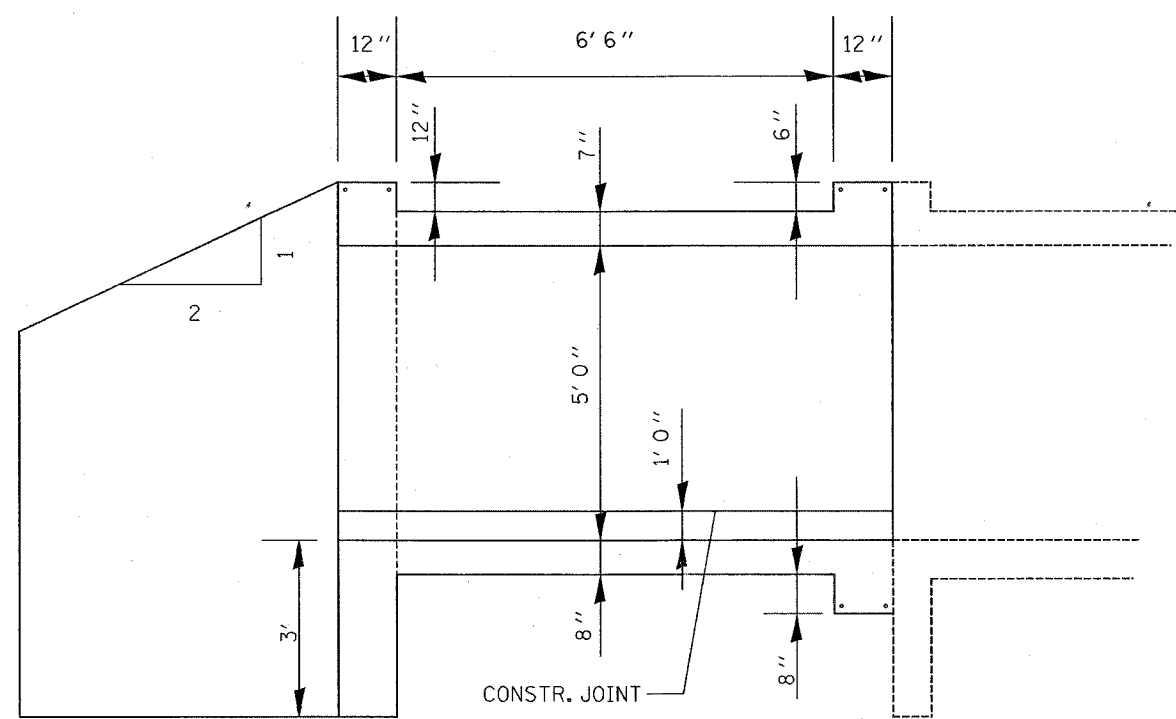
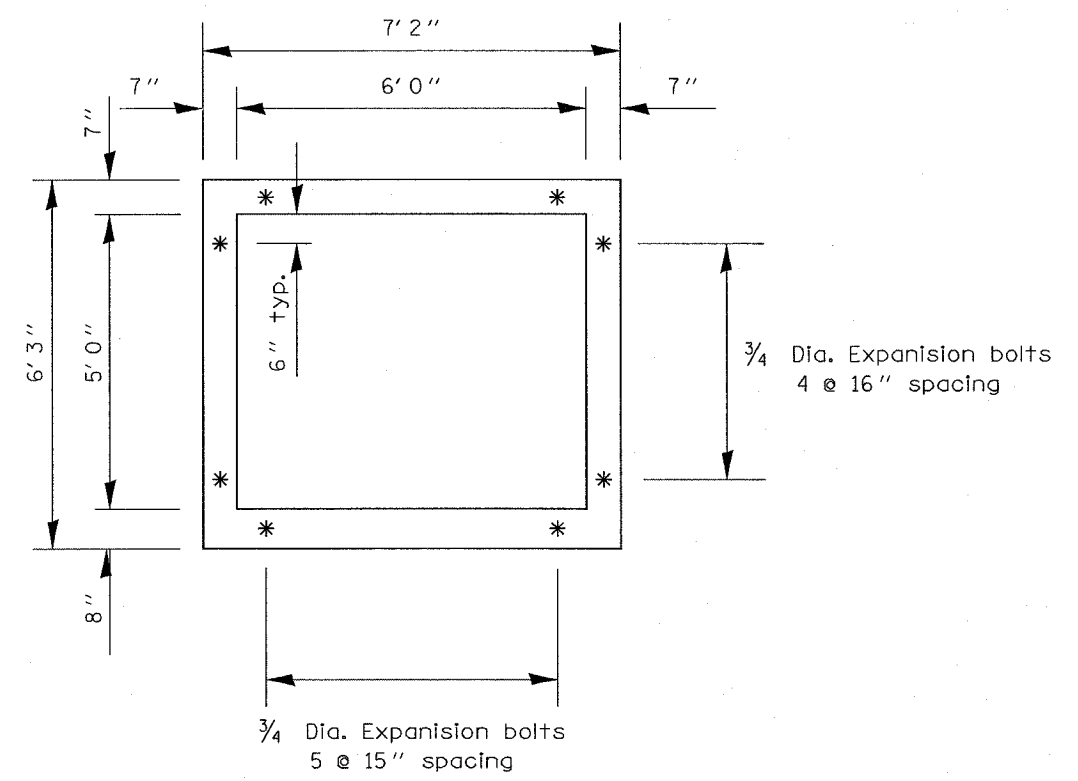


PLAN	SURVEYED	DATE
	PLOTTED	
	CHECKED	
	BY	
	NO. OF WAY CHECKED	
	ADD FILE NAME	



BILL OF MATERIAL			
a1	34	#8	7' 10"
a2	5	#4	6' 3"
h	9	#5	9' 3"
h1	14	#4	9' 3"
h2	10	#5	9' 3"
d	6	#4	4' 6"
v	26	#4	5' 11"
v1	8	#4	8' 0"
h3	18	#4	8' 3"
h8	16	#4	11' 0"
h4	6	#6	6' 11"
CONCRETE	C.Y.	7.6	
REINF. BARS	LBS.	1446	
EXPAN. BOLTS	EACH	18	



REVISIONS	
NAME	DATE

ILLINOIS DEPARTMENT OF TRANSPORTATION

BOX CULVERT
 STA 635+60.46
 FAP ROUTE 586 (IL 162)
 SECTION 60R-2, 37R-1
 MADISON COUNTY

DRAWN BY: