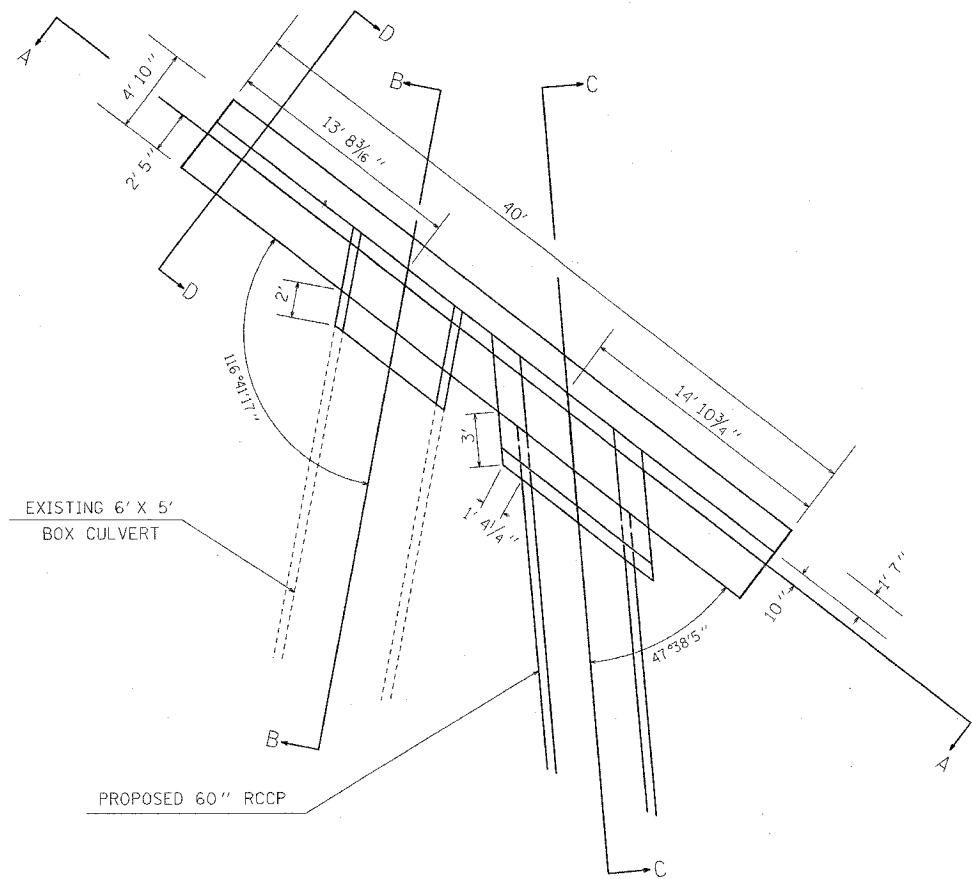


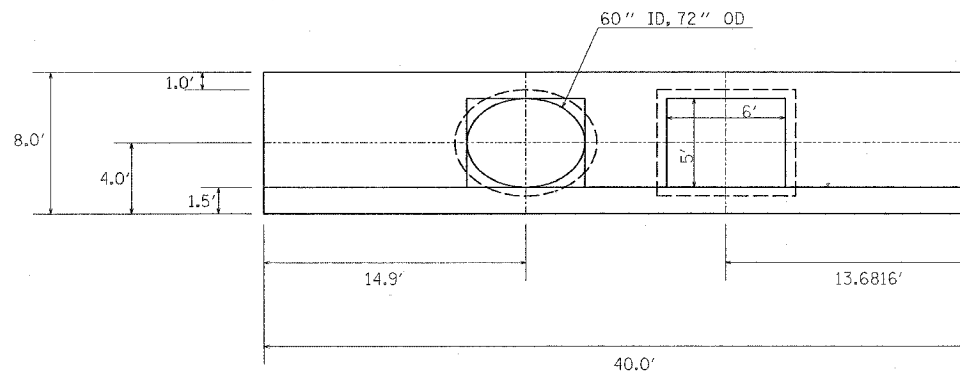
FAP ROUTE	SECTION	COUNTY	TOTAL SHEETS	SHEET NO
586	60R-2, 37R-1	MADISON	502	240

CONTRACT #76301

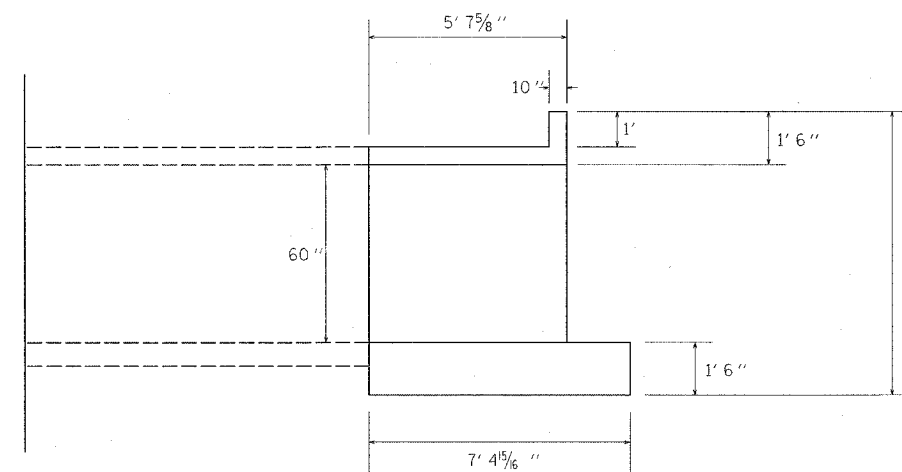
PLAN	SUBMITTED	DATE
	PLOTTED	
	DESIGNED	
	CHECKED	
	DATE	
	BY	
	NO.	



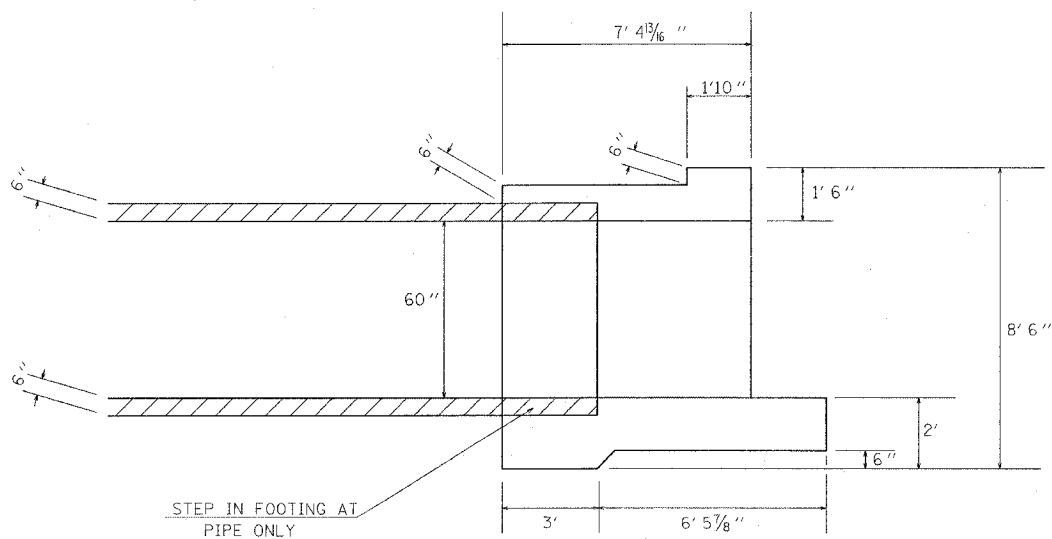
PLAN VIEW



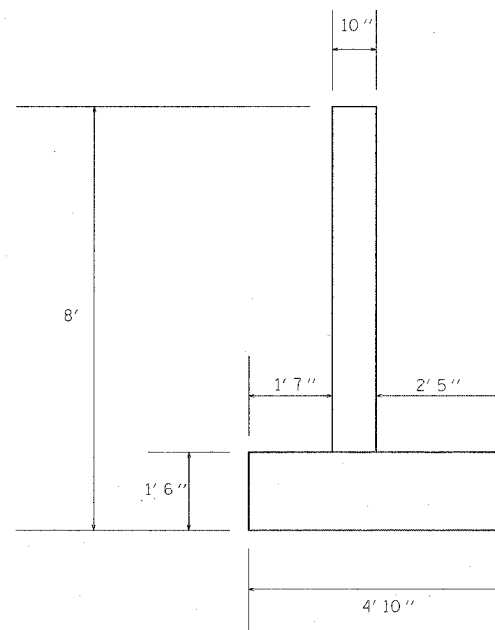
SECTION A - A



SECTION B - B



SECTION C - C



SECTION D - D

REVISIONS	
NAME	DATE

ILLINOIS DEPARTMENT OF TRANSPORTATION  
 BOX CULVERT  
 STA. 100+48.24 (HWY 40)  
 UPSTREAM END TREATMENT  
 FAP ROUTE 586 (IL 162)  
 SECTION 60R-2, 37R-1  
 MADISON COUNTY

DRAWN BY:

PLOT DATE: Friday July 02, 2004 @ 10:13:39 AM