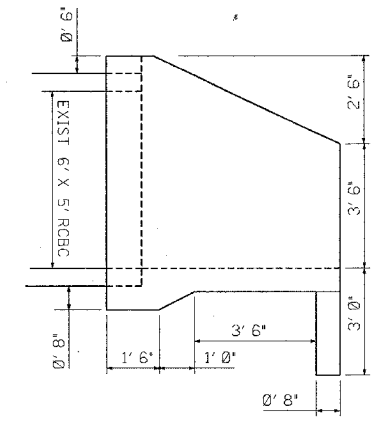
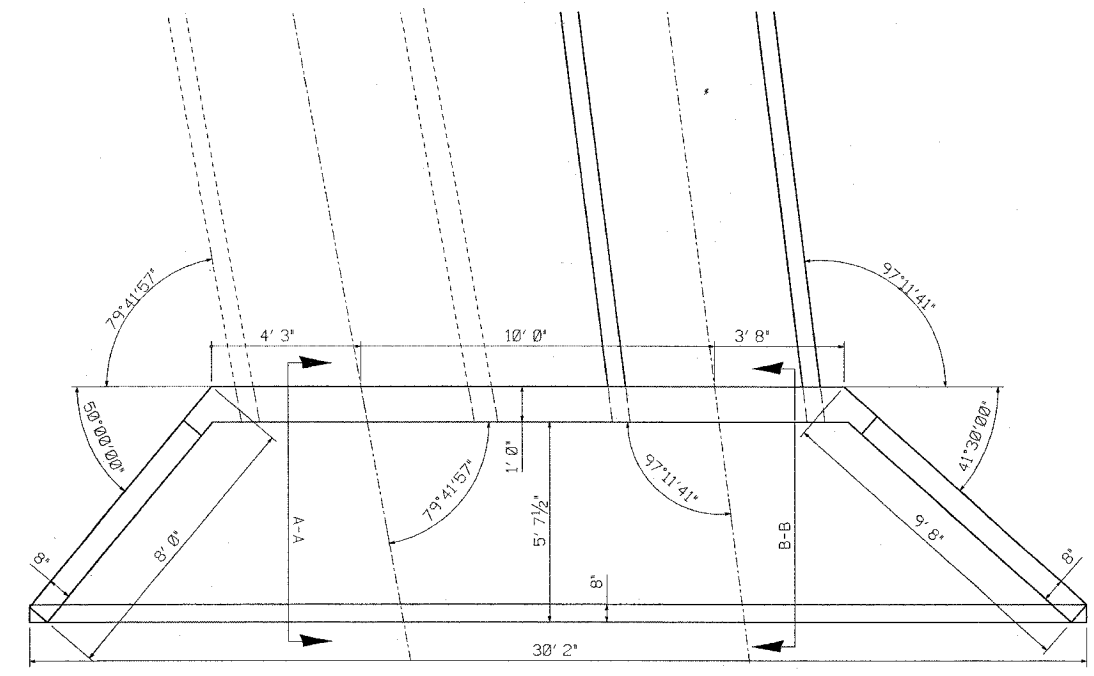
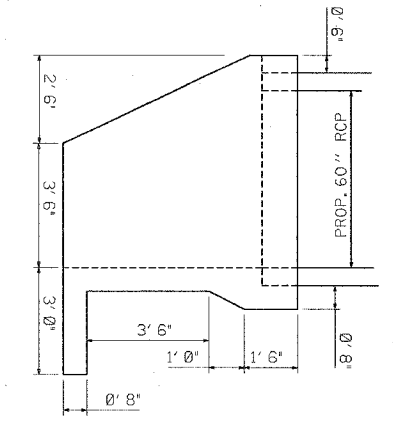


FAP ROUTE	SECTION	COUNTY	TOTAL SHEETS	SHEET NO
586	60R-2, 37R-1	MADISON	502	244
CONTRACT NO.: 76301				

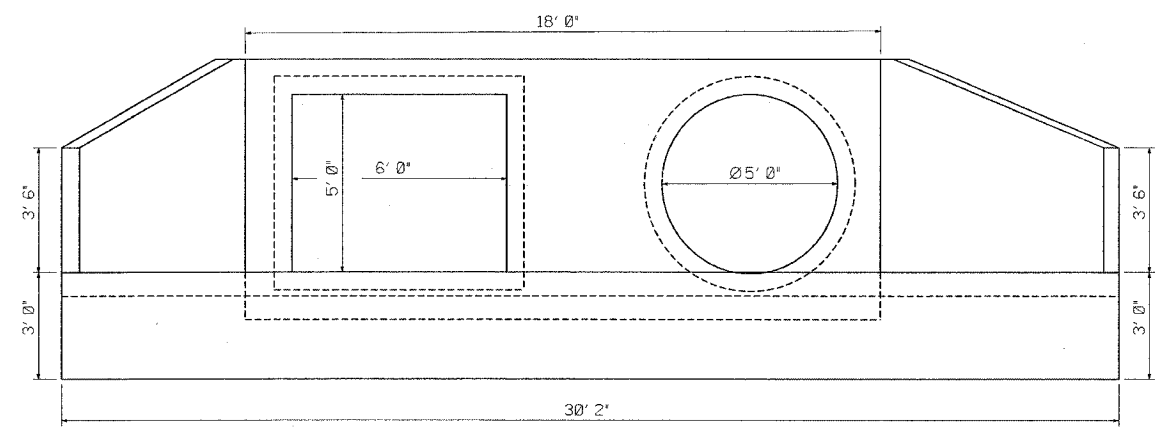
PLAN	REVISIONS	DATE
NO.	BY	
	CHECKED	
	DATE	
	FILE NAME	



SECTION A-A



SECTION B-B



NOT TO SCALE

REVISIONS	
NAME	DATE

ILLINOIS DEPARTMENT OF TRANSPORTATION

BOX CULVERT  
 STA 100+48.24 (HWY 40)  
 DOWNSTREAM STRUCTURE  
 FAP ROUTE 586 (IL 162)  
 SECTION 60R-2, 37R-1  
 MADISON COUNTY

DRAWN BY:

PLOT DATE: Friday July 02, 2004 @ 10:13:31 AM