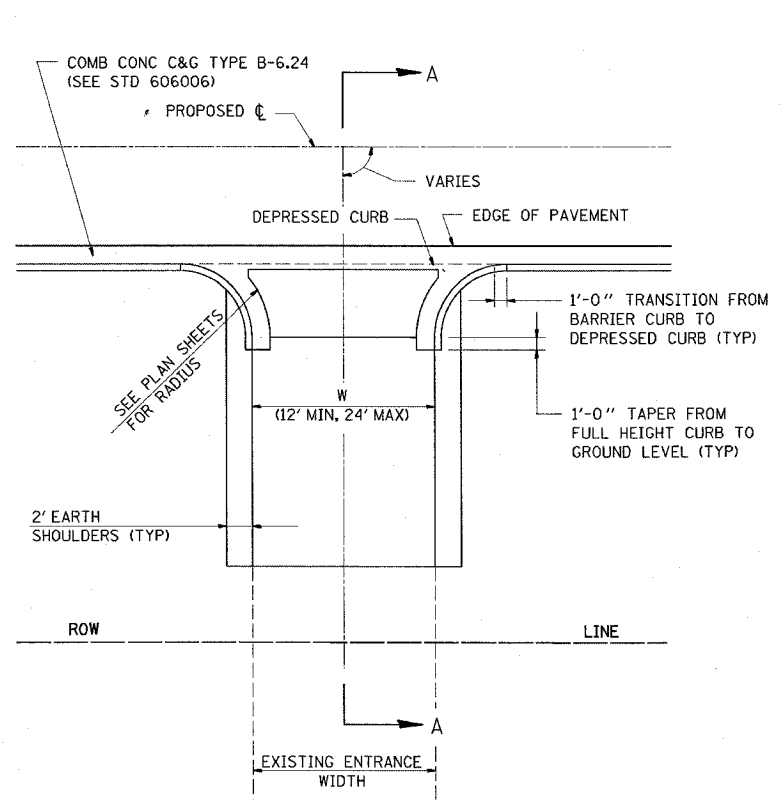
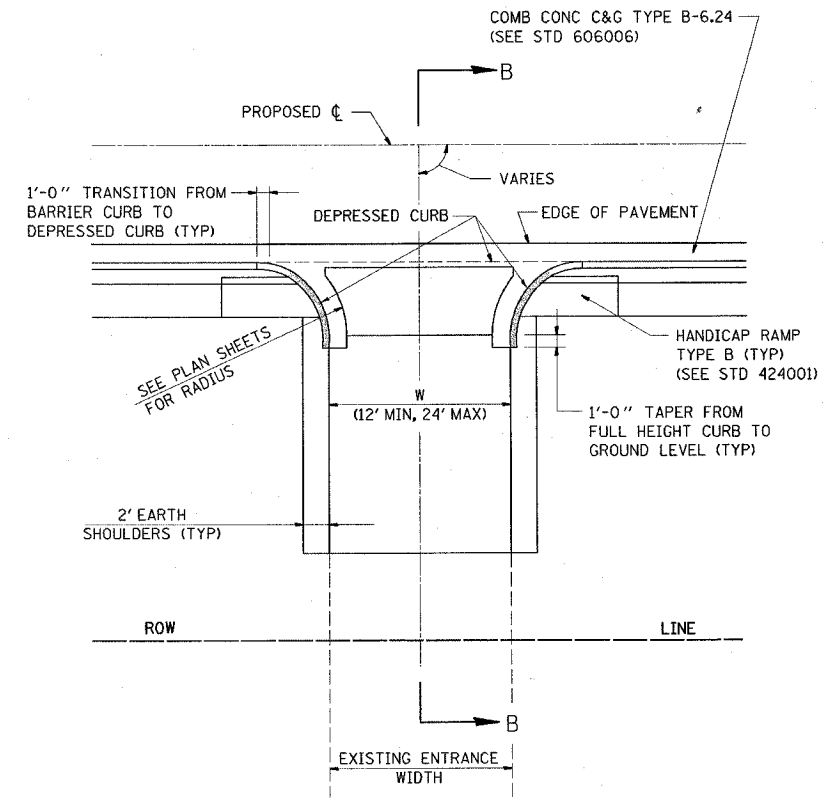


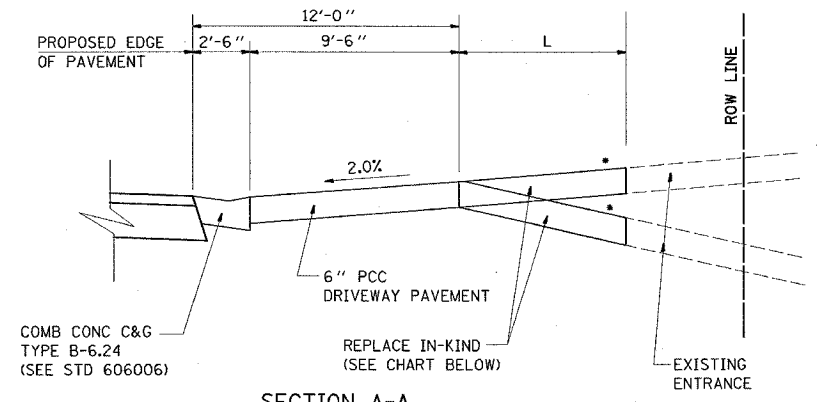
DATE	
BY	
DESIGNED	
PLANNED	
NOTED	
CHECKED	
APPROVED	
NO.	



PE DETAIL A
PRIVATE ENTRANCE ADJACENT TO ROADWAY PAVEMENT WITH CONCRETE CURB & GUTTER TYPE B-6.24

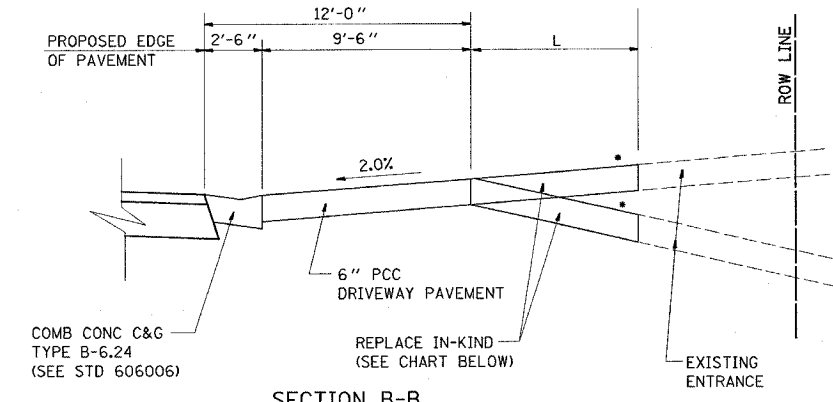


PE DETAIL B
PRIVATE ENTRANCE WITH PCC SIDEWALK ADJACENT TO ROADWAY PAVEMENT WITH CONCRETE CURB & GUTTER TYPE B-6.24



SECTION A-A

- SEE CROSS SECTIONS FOR SLOPE
- OMIT AT CONCRETE ENTRANCES
- SEE PLANS FOR EXISTING SURFACE TYPE



SECTION B-B

- SEE CROSS SECTIONS FOR SLOPE
- OMIT AT CONCRETE ENTRANCES
- SEE PLANS FOR EXISTING SURFACE TYPE

TYPE OF ENTRANCE	EXISTING MATERIAL	NEW ENTRANCE MATERIAL (BEYOND RADIUS RETURNS)			
		PCC DRIVEWAY PAVEMENT 6"	INCIDENTAL BITUMINOUS CONC SURFACING, 3"	AGGREGATE BASE COURSE TYPE B 8"	AGGREGATE SURFACE COURSE TYPE B 6"
PRIVATE	CONCRETE	X			
	BITUMINOUS		X	X	
	AGGREGATE				X

"L" - SEE SCHEDULE
"W" - SEE SCHEDULE

REVISIONS	
NAME	DATE

ILLINOIS DEPARTMENT OF TRANSPORTATION
PRIVATE ENTRANCE DETAILS

FAP ROUTE 586
SECTION 60R-2, 37R-1
MADISON COUNTY

DRAWN BY: