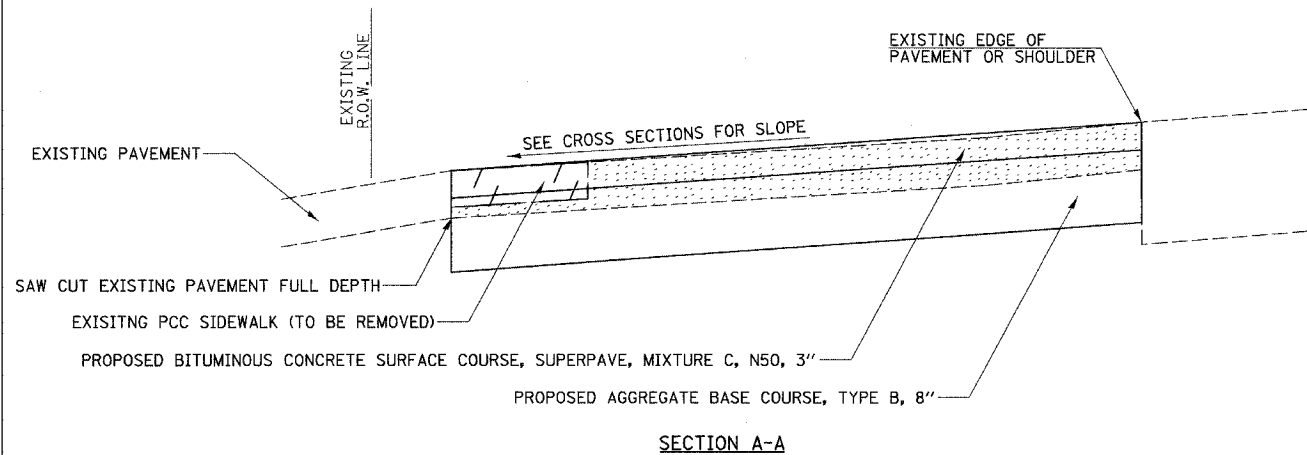
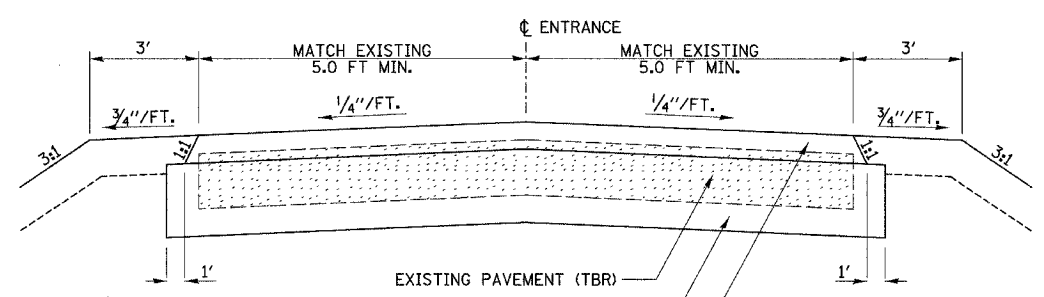


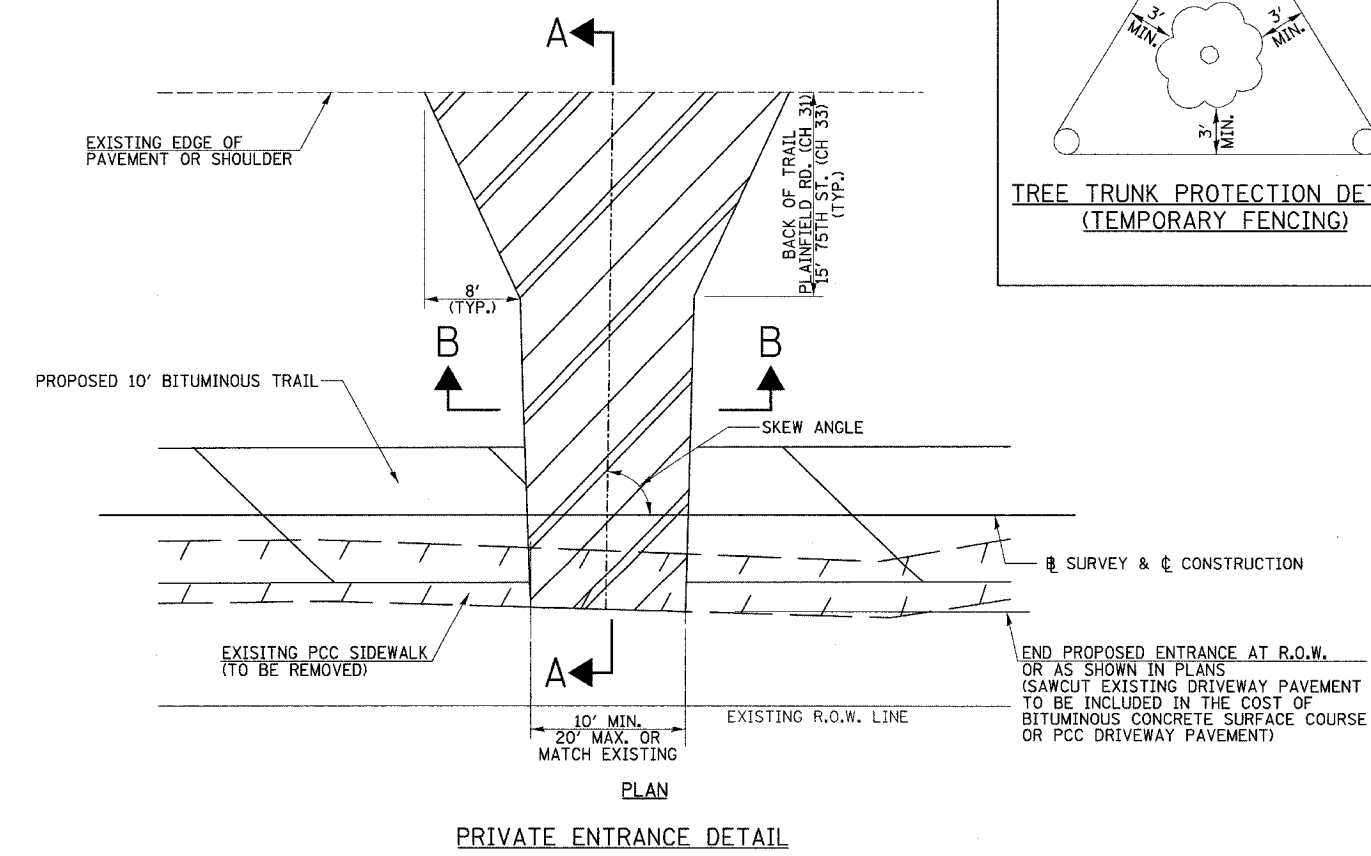
RTE. NO.	SECTION	COUNTY	TOTAL SHEETS	SHEET NO.
02-00001-05-BT	DUPAGE	ILLINOIS	113	93
STA. N/A		TO STA. N/A		
FED. ROAD DIST. NO. ILLINOIS FED. AID PROJECT				
*SOUTHERN DUPAGE REGIONAL TRAIL GREENE VALLEY SPUR				
CONTRACT NO. 83775				



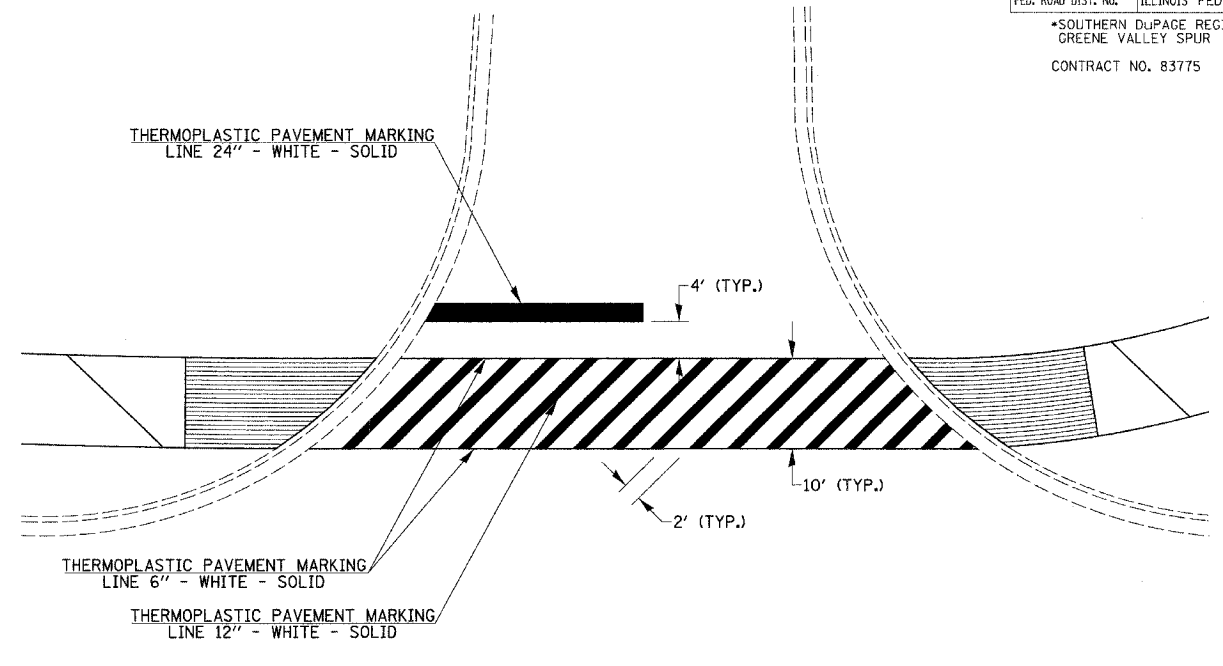
SECTION A-A



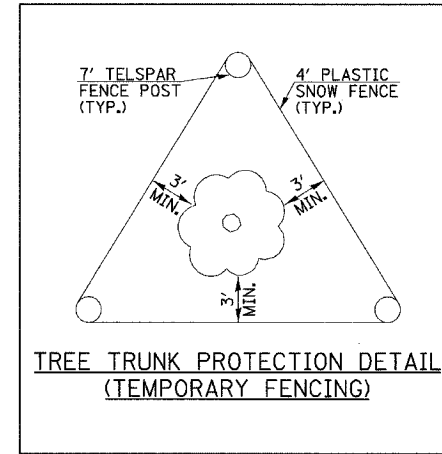
SECTION B-B



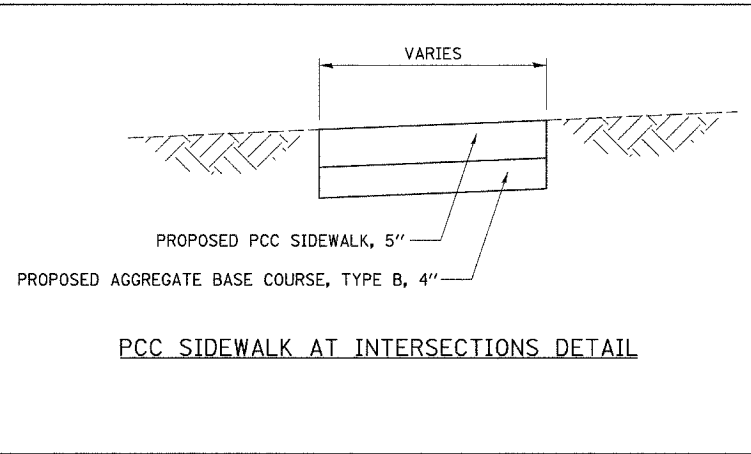
PRIVATE ENTRANCE DETAIL



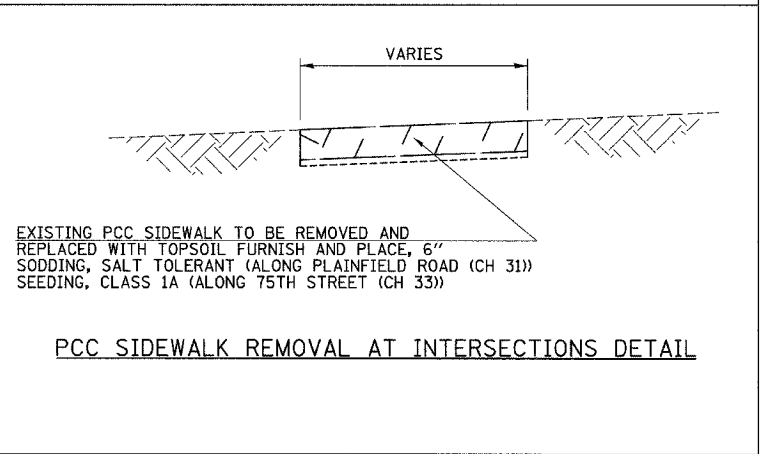
PROPOSED PAVEMENT MARKING DETAIL



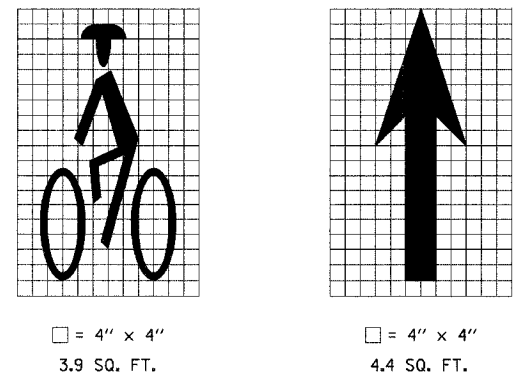
TREE TRUNK PROTECTION DETAIL (TEMPORARY FENCING)



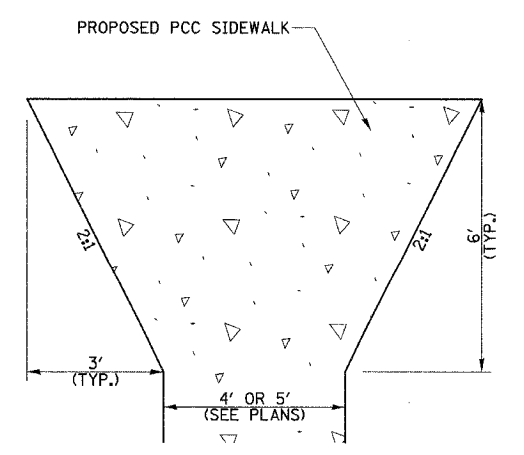
PCC SIDEWALK AT INTERSECTIONS DETAIL



PCC SIDEWALK REMOVAL AT INTERSECTIONS DETAIL



BICYCLE PAVEMENT MARKING DETAILS



SIDEWALK FLARE DETAIL (SEE PLANS FOR APPLICABLE LOCATIONS)